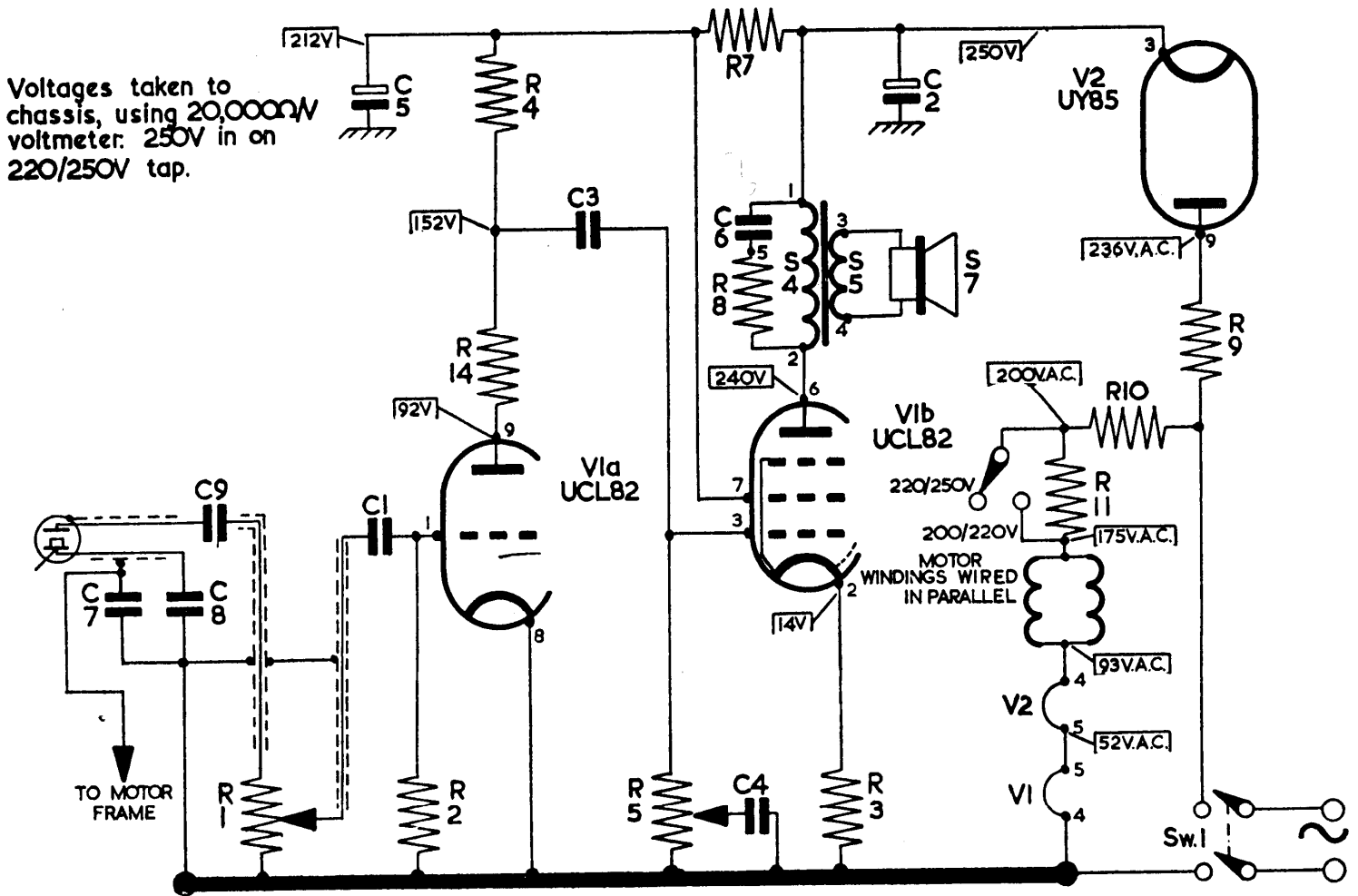


General Description: Two-valve (including rectifier), four-speed, single player, portable record reproducer. Pick-up head Type AG3016.

Power Supply: A.C. mains, 200–250 volts, 50 c/s., 50 watts.

Valves: (V1) UCL82; (V2) UY85.



CIRCUIT DIAGRAM—PHILIPS MODEL NG5051

Capacitors.

C1	4,700 pF.
C2	50 (El. 275 v.)
C5	50 (El. 275 v.)
C3	18,000 pF.
C4	5,600 pF. (10%)

C6	5,600 pF. (1300 v.)
C7	4,700 pF.
C8	4,700 pF.
C9	4,700 pF.

Resistors.

R1	0.5M (log)
R2	10M
R3	390 (10%, 1 W.)
R4	56k
R5	0.5M (log)
R7	5.6k (10%, 1 W.)

R8	6.8k (10%, 1 W.)
R9	360 (4 W.)
R10	500 (6 W.)
R11	270 (3 W.)
R14	56k

(W.W., 5%)