

General Description: Three-valve (including rectifier), portable stereo record player with detachable 6½-in. loudspeakers.

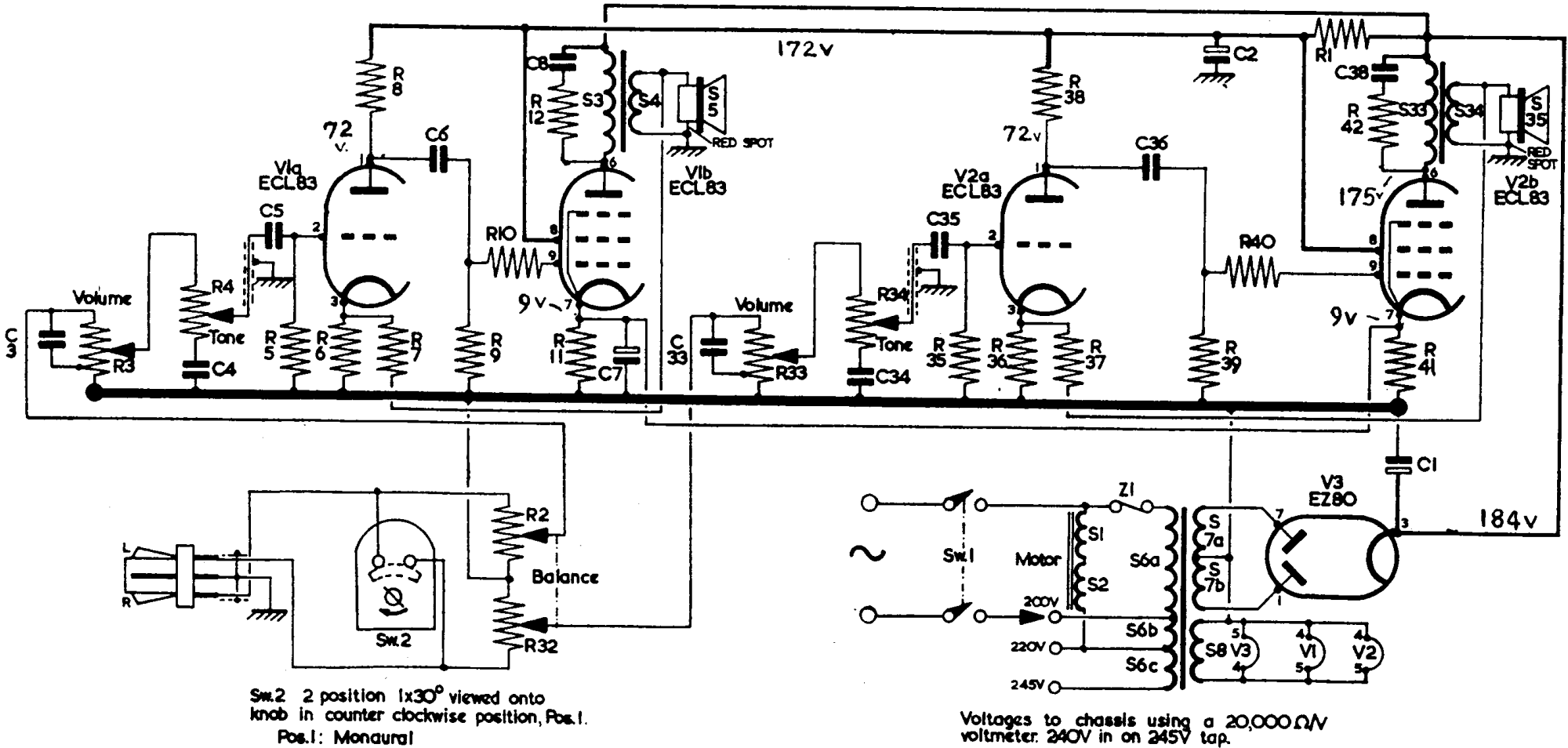
Power Supply: A.C. mains, 200–250 volts, 50 c/s. Consumption about 50 watts.

Valves: (V₁) ECL83 (R. H. Channel); (V₂) ECL83 (L. H. Channel); (V₃) EZ80.

Pick-up Heads: Early models had AG3063 (Stereo) and AG3066 (Mono) heads. Later production fitted the dual turn-over head Type AG3301.

Playing Weight: This should be between 4–7 grams. Using either an AG3063 or AG3066 head the indicator plate at back of pick-up arm should be opposite centre red spot. With AG3301 indicator should be between centre and top red dots. Coarse adjustment plate under pick-up arm should be set for maximum spring tension.

Notes: To remove complete turntable assembly, first place speed selector in position “O” and then remove centre circlip. Motor spindle, which is stepped for speed selection, is machined after assembly and should not be removed unless absolutely necessary. To remove idler wheel, first remove turntable. Switch to 78 r.p.m. and remove retaining circlip and wheel, note that plastic washer is fitted above and below the wheel.



Sw.2 2 position 1x30° viewed onto knob in counter clockwise position, Pos.1.
 Pos.1: Monaural
 Pos.2: Stereophonic

Voltages to chassis using a 20,000 Ω/V voltmeter: 240V in on 245V tap.

CIRCUIT DIAGRAM—PHILIPS MODEL NG5055

- Capacitors.**
- C1 50 (275 v.)
 - C2 100 (275 v.)
 - C3 100 pF. (10%)
 - C4 220 pF. (10%)
 - C5 10,000 pF. (10%)
 - C6 27,000 pF. (10%)
 - C7 100 (12 v.)
 - C8 5,600 pF. (1,300 v.)
 - C33 100 pF. (10%)
 - C34 220 pF. (10%)
 - C35 10,000 pF. (10%)
 - C36 27,000 pF. (10%)
 - C38 5,600 pF. (1,300 v.)

- Resistors.**
- R1 1k
 - R2/32 1M + 1M
 - R3/33 2M + 2M
 - R4/34 0.5M + 0.5M
 - R5 10M (10%)
 - R6 100 (10%)
 - R7 1.5k (10%)
 - R8 0.22M (10%)
 - R9 0.39M
 - R10 1k
 - R11 270 (10%)
 - R12 6.8k (10%, 1 W.)
 - R35 10M (10%)
 - R36 100 (10%)
 - R37 1.5k (10%)
 - R38 0.22M
 - R39 0.39M
 - R40 1k
 - R41 270 (10%)
 - R42 6.8k (10%, 1 W.)