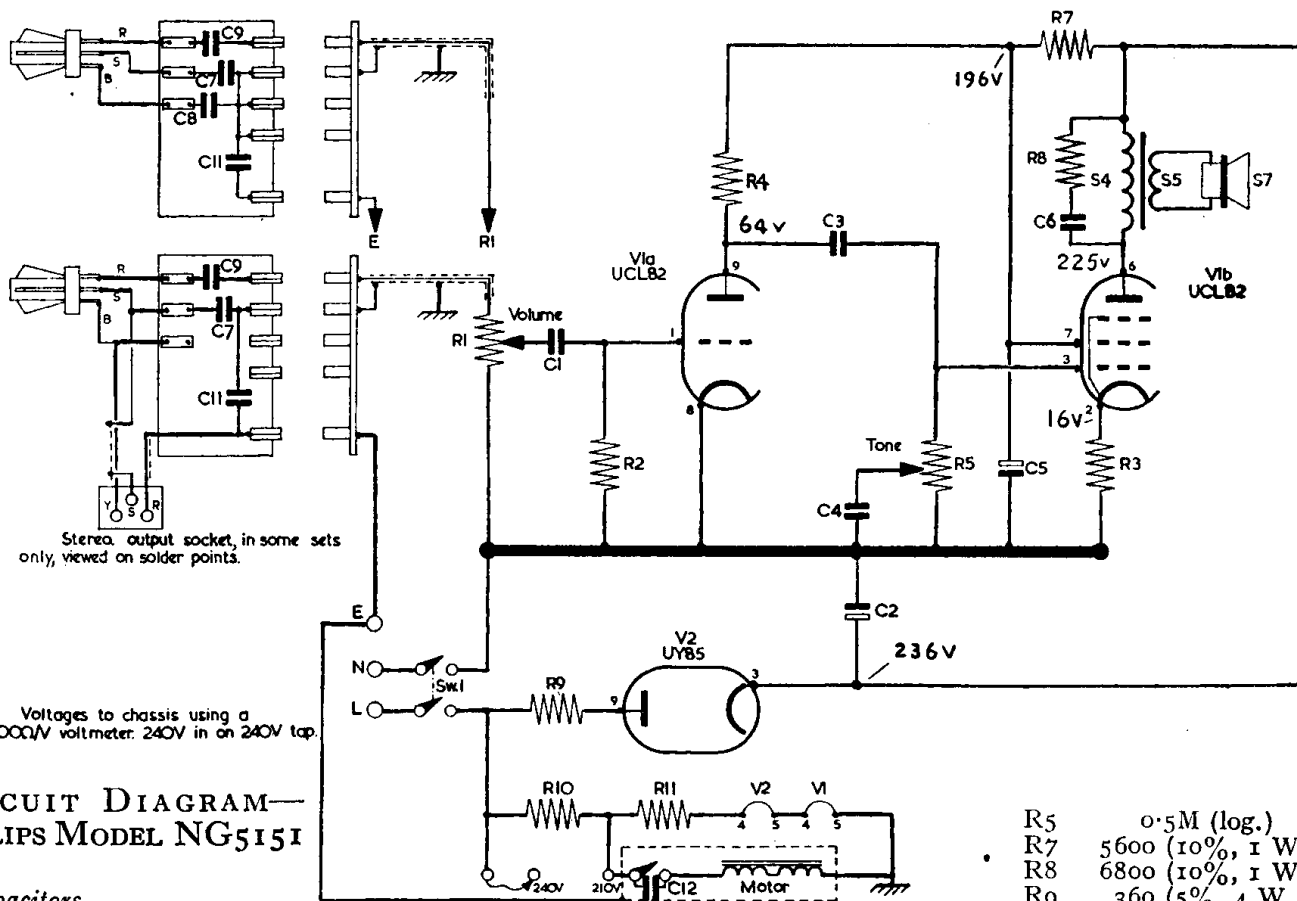


General Description: Two-valve (including rectifier), record reproducer with two-stage amplifier and four-speed auto-changer record unit (Philips Type AG1014).

Power Supply: A.C. mains, 200–250 volts, 50 c/s. Consumption about 50 watts. Note that chassis may be “live”. Access to the mains adjustment is obtained by removing the amplifier casing panel.

Valves: (V1) UCL82; (V2) UY85.

Notes: Twin styli, Type AG3016. Some models are fitted with three-pin socket for modification for stereo (detailed in instruction leaflet PG.015.240). *To remove record changer:* Remove ornamental screws at each corner of record changer, tilt unit to enable pick-up connection strip to be unplugged and unsolder motor connections. *To remove amplifier:* Remove record changer. Remove amplifier casing panel followed by control knobs, two 4-mm. chassis fixing nuts and 4-mm. mains dropper bracket fixing nut. Unsolder speaker leads and remove amplifier.



**CIRCUIT DIAGRAM—
PHILIPS MODEL NG5151**

Capacitors.

- C1 4,700 pF.
- C2 50 (275 v.)
- C3 18,000 pF.
- C4 5,600 pF. (10%)
- C5 50 (275 v.)
- C6 5,600 pF. (1300 v.)
- C7 4,700 pF.

- C8 4,700 pF. (omitted with stereo socket)
- C9 4,700 pF.
- C11 4,700 pF.

Resistors.

- R1 0.5M (log.)
- R2 10M
- R3 390 (10%, 1 W.)
- R4 0.22M

- R5 0.5M (log.)
- R7 5600 (10%, 1 W.)
- R8 6800 (10%, 1 W.)
- R9 360 (5%, 4 W., W.W.)
- R10 180 (5%, 5 W., W.W.)
- R11 1230 (5%, 15 W., W.W.)
- R12 22 (10%)
- R13 1500 (10%)