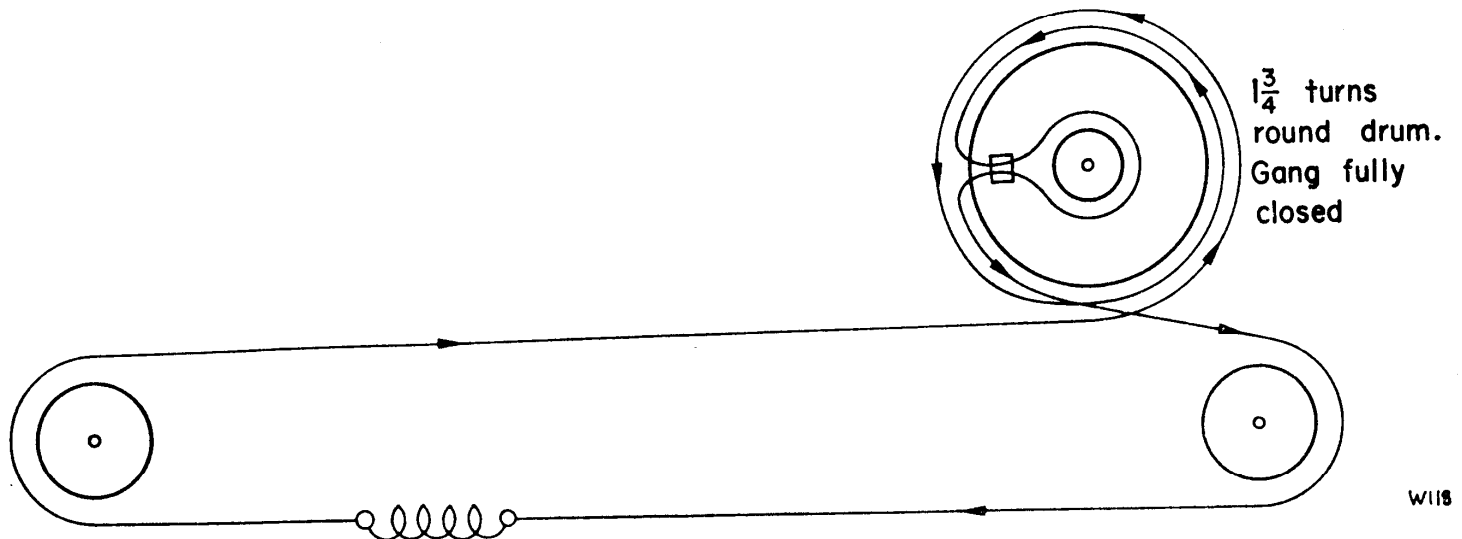


PORTADYNE

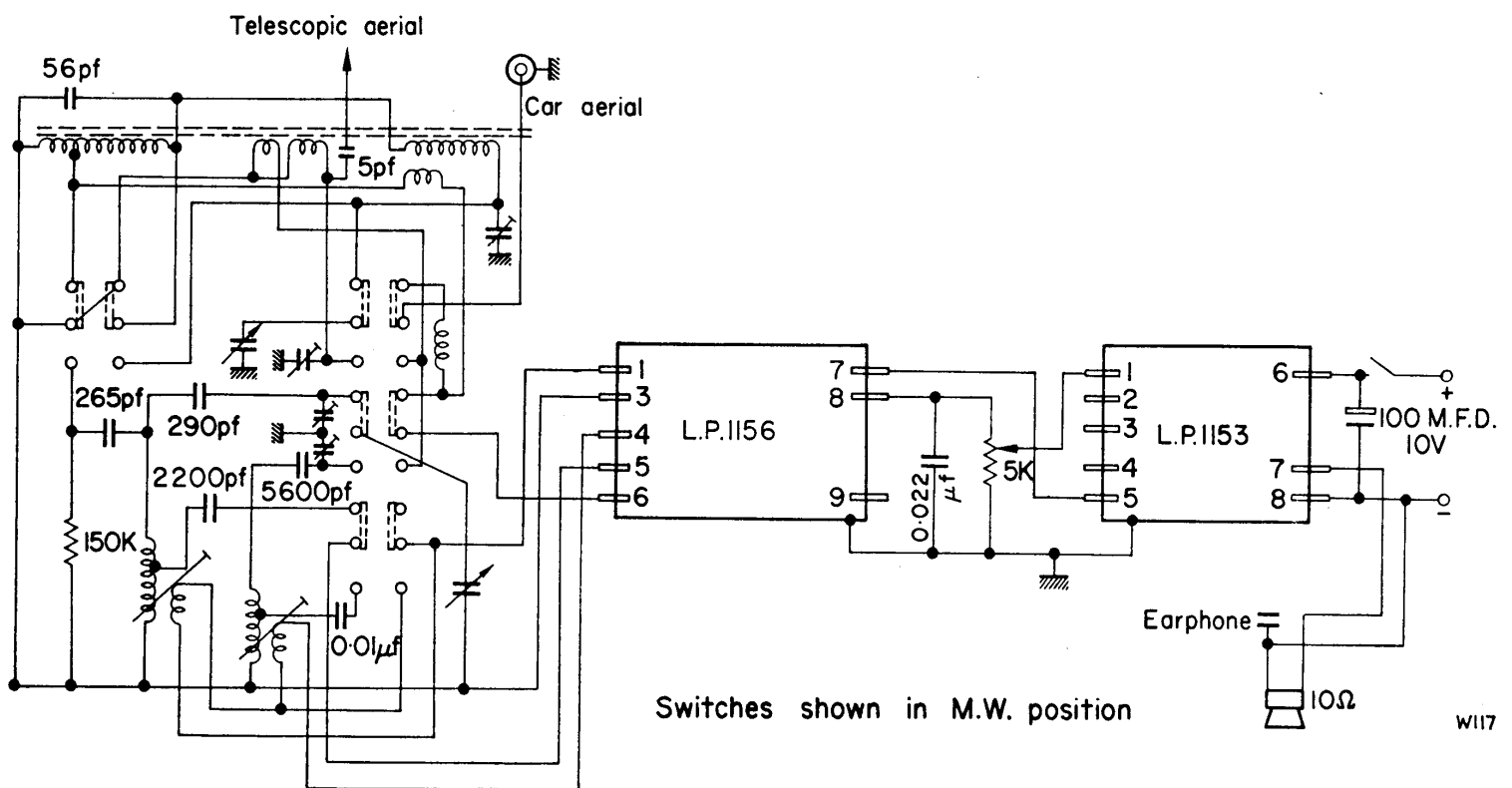
Model 3B2

General Description: Three-waveband transistor portable receiver, incorporating I.F. and A.F. modules. Provided with telescopic aerial, car aerial socket and earphone socket.



W118

(W118) DRIVE CORD—MODEL 3B2



W117

(W117) CIRCUIT DIAGRAM—PORTADYNE MODEL 3B2