

PORTADYNE**1956-57 RANGE**

Portadyne receivers are manufactured by Dynaport Radio and Television, Ltd., and the circuits shown here are representative of current practice.

MODELS AG33, AG44

General Description : This five-valve (including rectifier), three-wave-band chassis has been used on a number of models, including the AG33 and AG44 auto-radiogramophones.

Power Supplies : A.C. mains, 200-250 volts (three adjustment tappings).

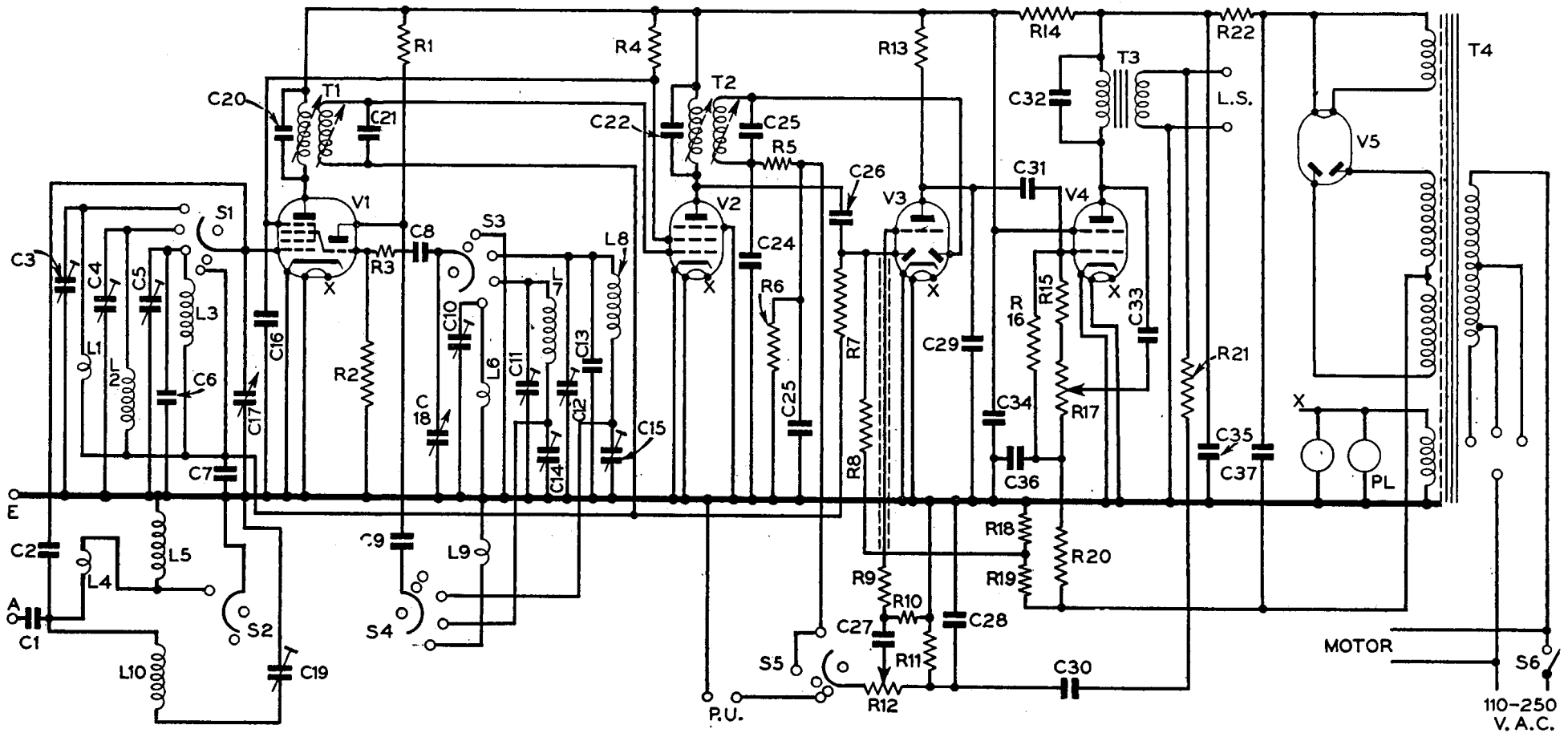
Wavebands : L.W.; M.W.; S.W.

Valves : Brimar. (V1) 6K8G; (V2) 6K7; (V3) 6Q7G; (V4) 6V6G; (V5) 5Y3G.

Intermediate Frequency : 465 kc/s.

Dial Lamps : Two 6.5 volts, 0.3 amp.

Component Values : Those listed are preferred values and some variations may be encountered.



CIRCUIT DIAGRAM—PORTADYNE MODELS AG33, AG44

Capacitors.
 C1 0.02 (500 v.)
 C2 1.5 pF.
 C3 4-40 pF.
 C4 4-40 pF.
 C5 4-40 pF.
 C6 30 pF.
 C7 0.1
 C8 60 pF.
 C9 0.002
 C10 4-40 pF.
 C11 4-40 pF.
 C12 4-40 pF.
 C13 60 pF.

C14 200-600 pF.
 C15 60-200 pF.
 C16 0.1
 C17 13.5-504 pF.
 C18 13.5-504 pF.
 C19 15-70 pF.
 C20 100 pF. (2%)
 C21 100 pF. (2%)
 C22 100 pF. (2%)
 C23 180 pF. (2%)
 C24 100 pF.
 C25 100 pF.
 C26 30 pF.
 C27 0.005 (500 v.)

C28 0.02
 C29 60 pF.
 C30 0.1
 C31 0.02 (500 v.)
 C32 0.005 (500 v.)
 C33 500 pF. (500 v.)
 C34 8 (500 v.)
 C35 16 (500 v.)
 C36 0.1
 C37 16 (500 v.)

Resistors.
 R1 27k (½ W., 10%)
 R2 47k

R3 47
 R4 20k (½ W.)
 R5 47k
 R6 1M
 R7 1M
 R8 1M
 R9 68k
 R10 10M
 R11 1k
 R12 0.5M or 1M log.
 (With lower value R6 is omitted)
 R13 270k

R14 2200 (1 W.)
 R15 10k
 R16 470k
 R17 0.25M or 1M log.
 (With lower value R16 is omitted)
 R18 33 (10%)
 R19 150 (½ W., 10%)
 R20 270k
 R21 10k
 R22 700 (¼ W., 10%, W.W.)