

PORTADYNE

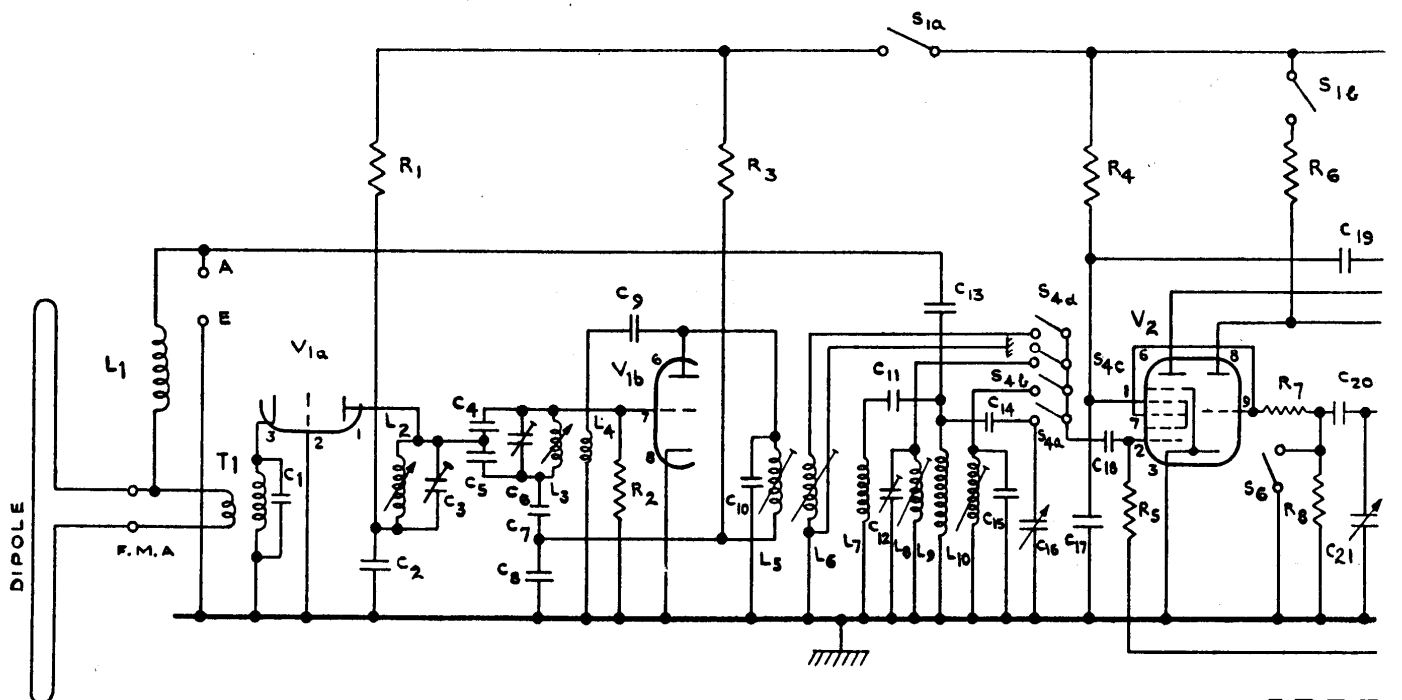
A.M./F.M Chassis

General Description: Six-valve (including rectifier), three-waveband (L.W., M.W. and V.H.F./F.M.) A.M./F.M. chassis. This is fitted to the "Mayfair" autoradiogramophone with two loudspeakers in special large console-type cabinet. Manufactured by Messrs. Dynaport Radio and Television Ltd.

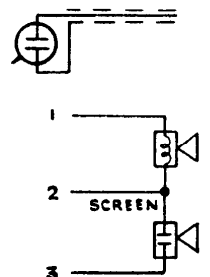
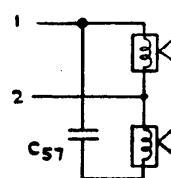
Power Supply: A.C. mains, 200-250 volts.

Valve Details:

Valve	A.M. Function	F.M. Function
V ₁ ECC85 . . .	Not used	Earthed-grid R.F. amp. and self-oscillating mixer
V ₂ ECH81 . . .	Frequency changer	1st I.F. amplifier
V ₃ EF89 . . .	I.F. amplifier	2nd I.F. amplifier
V ₄ EABC80 . . .	Demodulator, A.F. amp., 2 diodes not used	Ratio detector, A.F. amp., 1 diode not used
V ₅ EL84 . . .	A.F. output	A.F. output
V ₆ EZ80 . . .	Rectifier	Rectifier



SWITCH	S ₁	S ₂	S ₃	S ₄	S ₅	S ₆	S ₇
GRAM	a b	a b c	c	a b c d	a b c		
LW		c	c	c c		c	c
MW		c	c	c c		c	c
FM	c	c	c	c c		c	c



ALTERNATIVE SPEAKER ARRANGEMENTS

Intermediate Frequencies: A.M. 465 kc/s., F.M. 10.7 Mc/s.

Trimming Frequencies: F.M. 94 Mc/s.; M.W. 1400 kc/s., 600 kc/s.; L.W. oscillator 167 kc/s., aerial 200 kc/s.

Turntable Unit: Four-speed autochange.

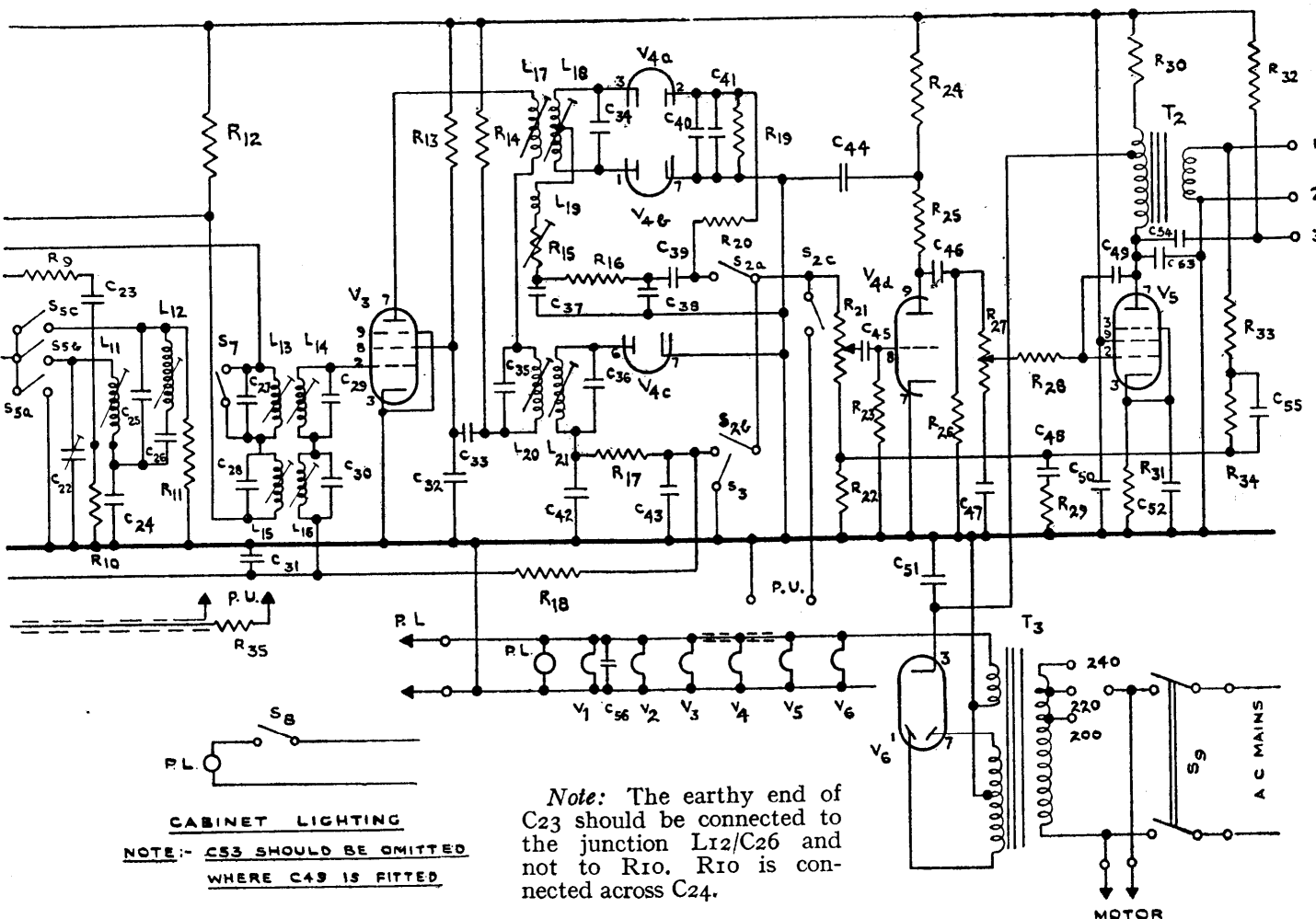
Note: C54 and R32 are not fitted in some models where a moving-coil tweeter is used.

Component Values:

C1 10 pF.	C26 430 pF.	C49 3.9 pF.	R13 47k
C2 1000 pF.	C27 15 pF.	C50 50	R14 2.2k
C3 2-10 pF.	C28 120 pF.	C51 50	R15 750
C4 20 pF.	C29 15 pF.	C52 100	R16 47k
C5 20 pF.	C30 120 pF.	C53 0.001	R17 47k
C6 2-6 pF.	C31 0.02	C54 0.01 or 0.005	R18 2.2M
C7 8.2 pF.	C32 0.005	C55 0.1	R19 43k
C8 68 pF.	C33 0.01	C56 1000 pF.	R20 2.2M
C9 10 pF.	C34 47 pF.	C57 3-5	R21 0.5M
C10 15 pF.	C35 120 pF.		R22 1k
C11 47 pF.	C36 120 pF.		R23 10M
C12 4-40 pF.	C37 500 pF.		R24 100k
C13 500 pF.	C38 0.001		R25 220k
C14 3.9 pF.	C39 0.02		R26 1M
C15 150 pF.	C40 500 pF.		R27 0.5M
C17 0.005	C41 5		R28 10k or 47k
C18 100 pF.	C42 330 pF.		R29 1k
C19 0.01	C43 100 pF.		R30 1k
C20 68 pF.	C44 0.1		R31 180
C22 4-40 pF.	C45 0.005		R32 15k
C23 0.002	C46 0.02		R33 10k
C24 560 pF.	C47 0.002		R34 47k
C25 200 pF.	C48 0.02		R35 470k

Resistors.

R1 10k
R2 1M
R3 10k
R4 39k
R5 1M
R6 39k
R7 47k
R8 47k
R9 150
R10 4.7k
R11 22k
R12 2.2k



CABINET LIGHTING
NOTE:- C53 SHOULD BE OMITTED
WHERE C49 IS FITTED

Note: The earthy end of C23 should be connected to the junction L12/C26 and not to R10. R10 is connected across C24.