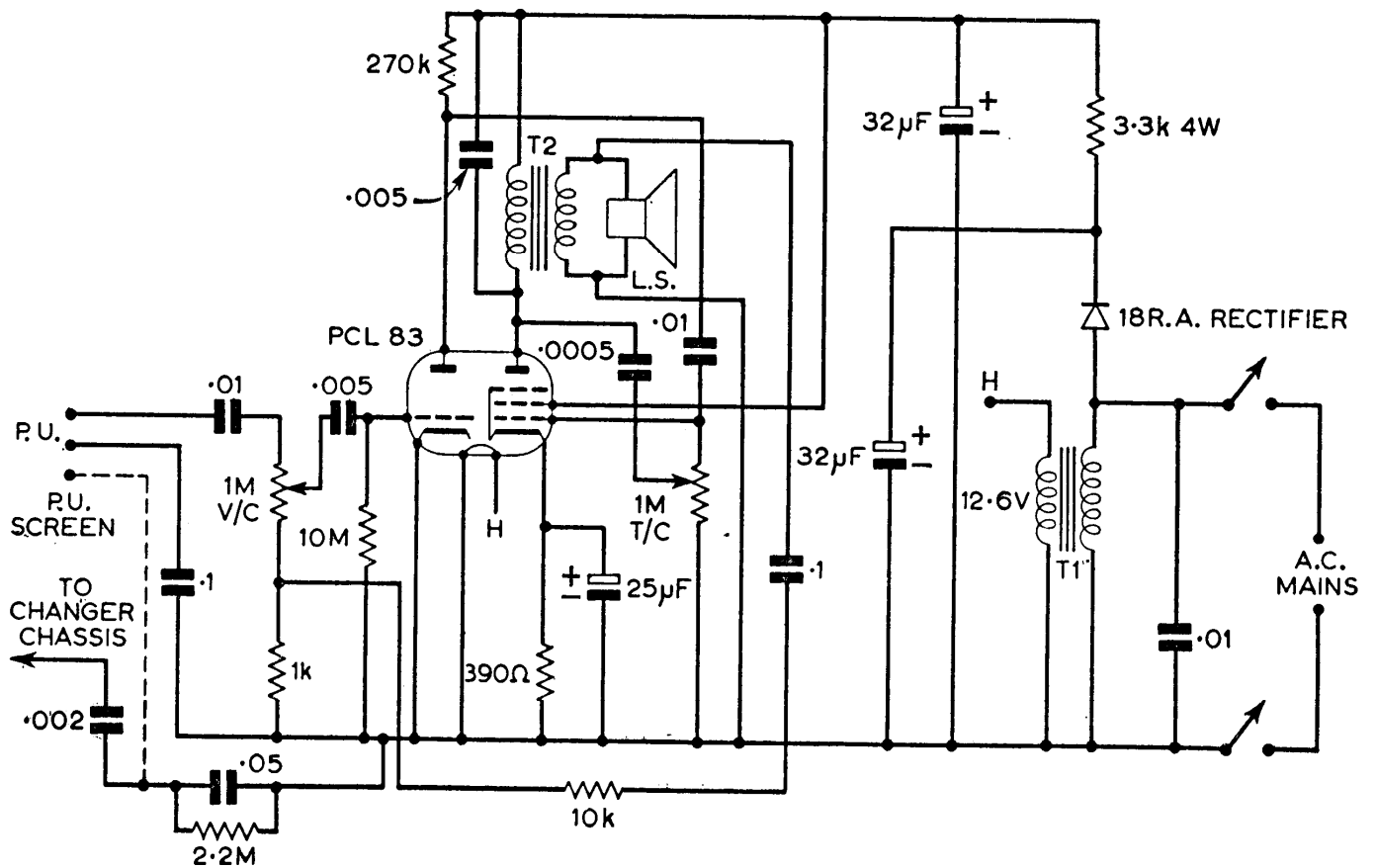
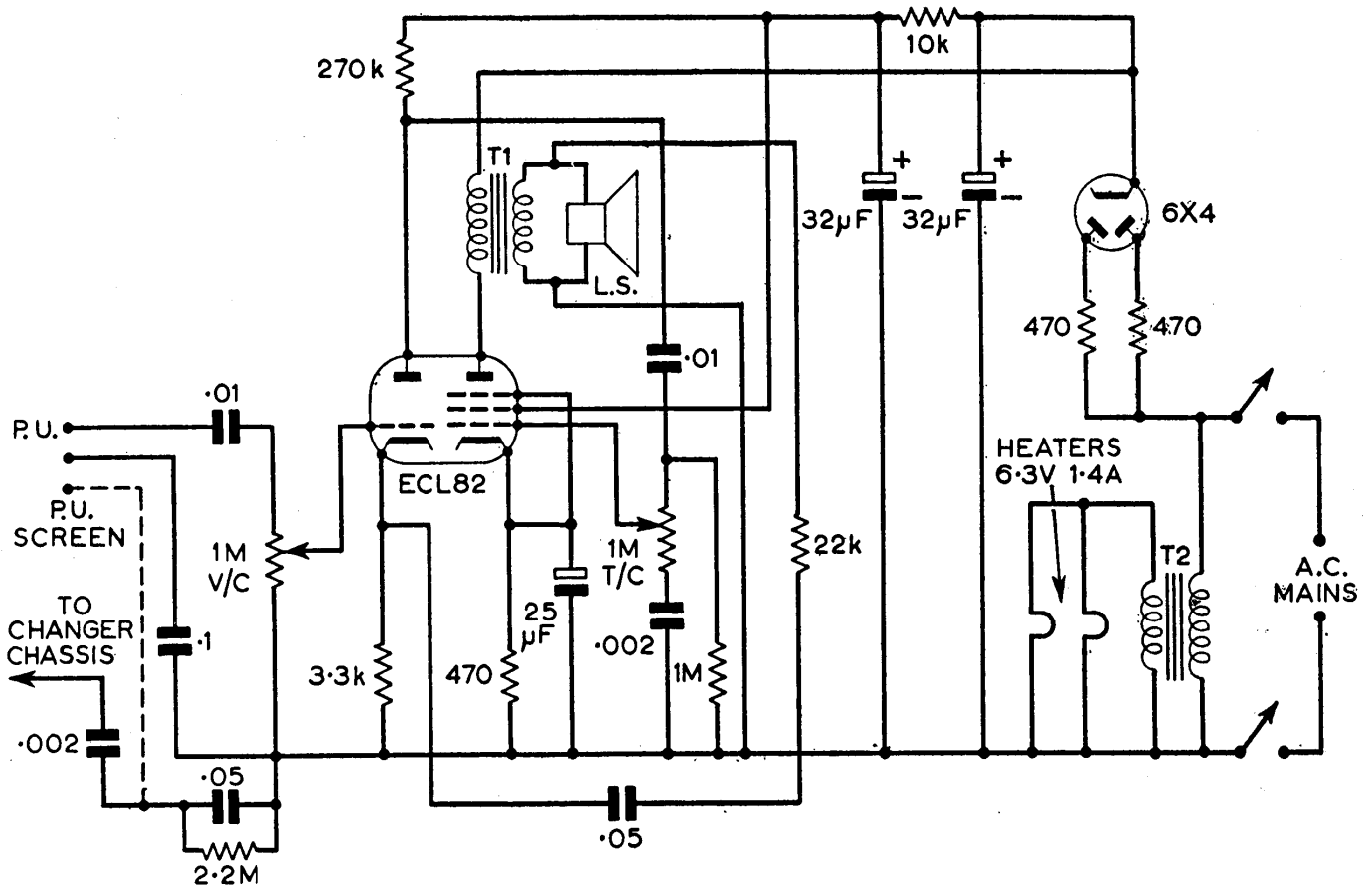


The circuit diagrams given are for two portable record reproducers, the "Portamatic" and the RP<sub>3</sub>, fitted with a four-speed auto-change record unit.



CIRCUIT DIAGRAM—PORTADYNE "PORTAMATIC" RECORD REPRODUCER



CIRCUIT DIAGRAM—PORTADYNE RECORD REPRODUCER MODEL RP<sub>3</sub>