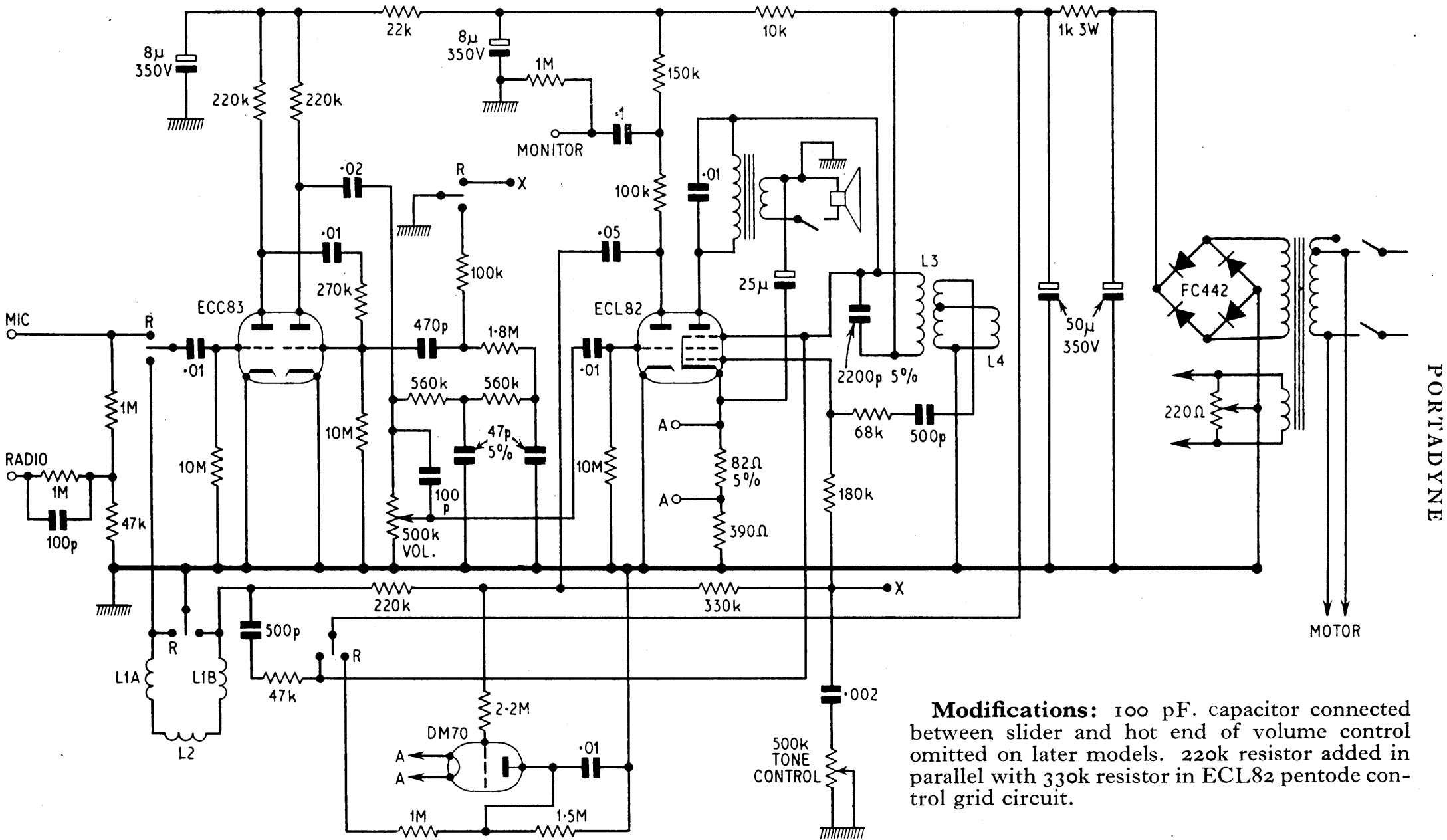


PORTADYNE TAPE RECORDER Model TR300

General Description: Single-speed ($3\frac{3}{4}$ in./sec.), dual-track tape recorder with monitoring facility for operation from A.C. mains, 200–250 volts, 50 c/s. with B.S.R. tape deck.

Valves: (V₁) ECC83; (V₂) ECL82; (V₃) DM70. Metal rectifier, Westinghouse type FC442.

Component Notes: L₁A/B record/playback head; L₂ hum bucking coil; L₃ erase oscillator coil.



Modifications: 100 pF. capacitor connected between slider and hot end of volume control omitted on later models. 220k resistor added in parallel with 330k resistor in ECL82 pentode control grid circuit.

CIRCUIT DIAGRAM—PORTADYNE TAPE RECORDER MODEL TR300