



REGENTONE Service

BULLETIN No. 114.
HANDYGRAM
MODELS HG2 & AHG2

DESCRIPTION.

MODEL HG2. incorporates a one-valve plus rectifier amplifier and 3-speed record player in a luggage type carrying case. The unit is a B.S.R. Model GU4A with crystal turn-over head.

MODEL AHG2. incorporates the same amplifier and an automatic mixer record changer in a luggage type carrying case. The changer is a B.S.R. model UA6 with crystal turn-over head.

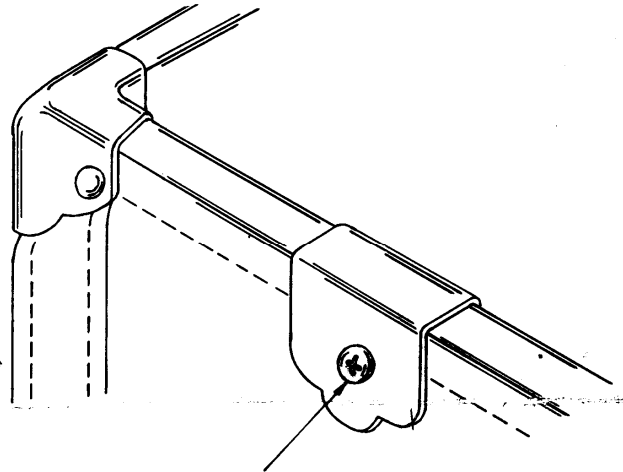
Both models are for use on 200 to 250V. A.C. 50 cycle mains only, and are equipped with tone controls.

REPLACEMENT PARTS.

Part No.	Description.
R.590022	Cleat Fibre.
R.189590	Gram Unit B.S.R. GU4A. for HG2.
R.189597	" " " UA6. " AHG2.
R.175600	Knob Volume On/off.
R.175599	Knob Tone.
R.183508	Metal Rectifier 15B19.
R.158643	Pot. 1M. DPST.
R.158644	Pot. 15K.
R.190554	Speaker 4" x 6" & O.P.T. 3500-30
R.159627	Trans.Mains 200 to 250V. 50 cycle
R.121522	Valveholder B7G.
M.70036	Washer Knob Mtg.

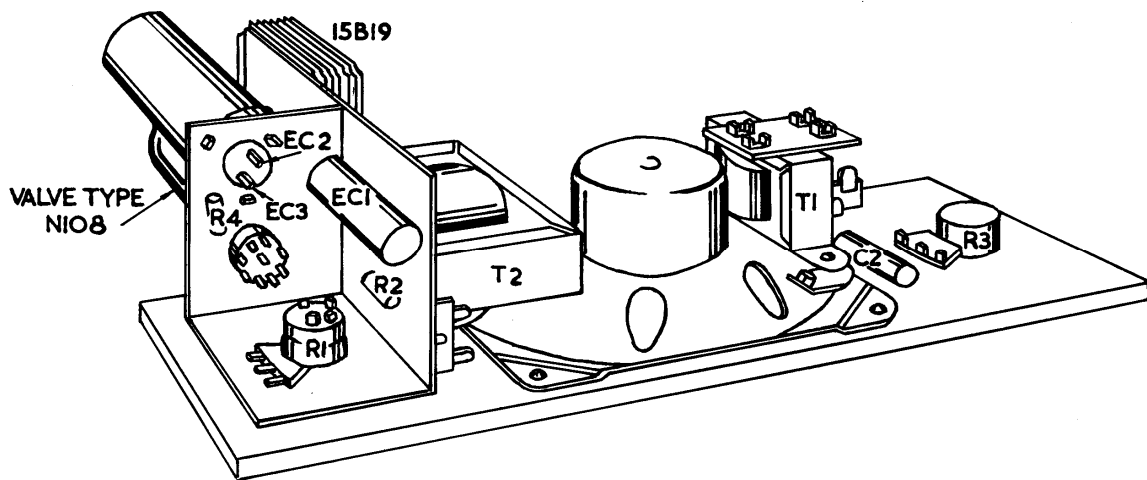
Part No. Description.

R.129701	Cond. P.T. .01 500V.
R.129714	Cond. P.T. .05μF 500V.
R.131614	Cond. 32+32 μF 275V.
R.131612	Cond. 25μF 12V.
R08.12110	Res. 120Ω $\frac{1}{2}$ W. $\pm 10\%$
R09.22220	Res. 2.2K $\frac{1}{4}$ W. $\pm 20\%$



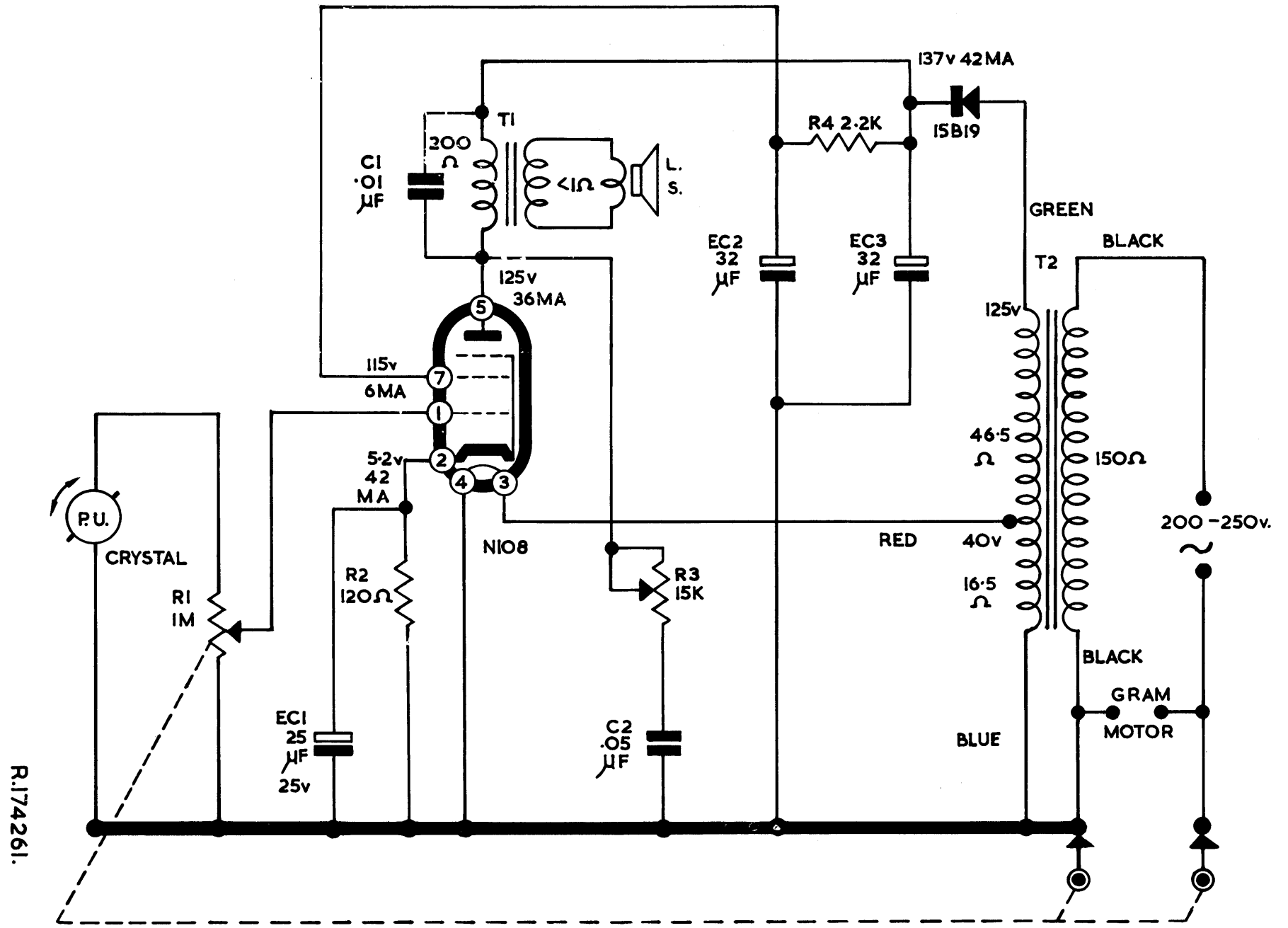
REMOVE THESE SCREWS TO
DISMANTLE UNIT AND
AMPLIFIER.

NOTE. IT IS NOT NECESSARY
TO REMOVE THE MOTOR -
BOARD SCREWS.



COMPONENT LAYOUT

RESISTORS
 1 2 3 4
 CONDENSERS
 EC1 1 2 EC2 EC3



R.174261.