

REGENTONE

Model A25

General Description : Five-valve (including rectifier), three-waveband superheterodyne receiver.

Power Supplies : A.C. mains, 100–120 volts; 200–250 volts, A.C. 50–100 c/s. Power consumption, 35 watts approximately.

Wavebands : L.W. 1000–2000 m. (300–150 kc/s.); M.W. 176–550 m. (1704.5–545 kc/s.); S.W. 16.6–50 m. (18–6 Mc/s.).

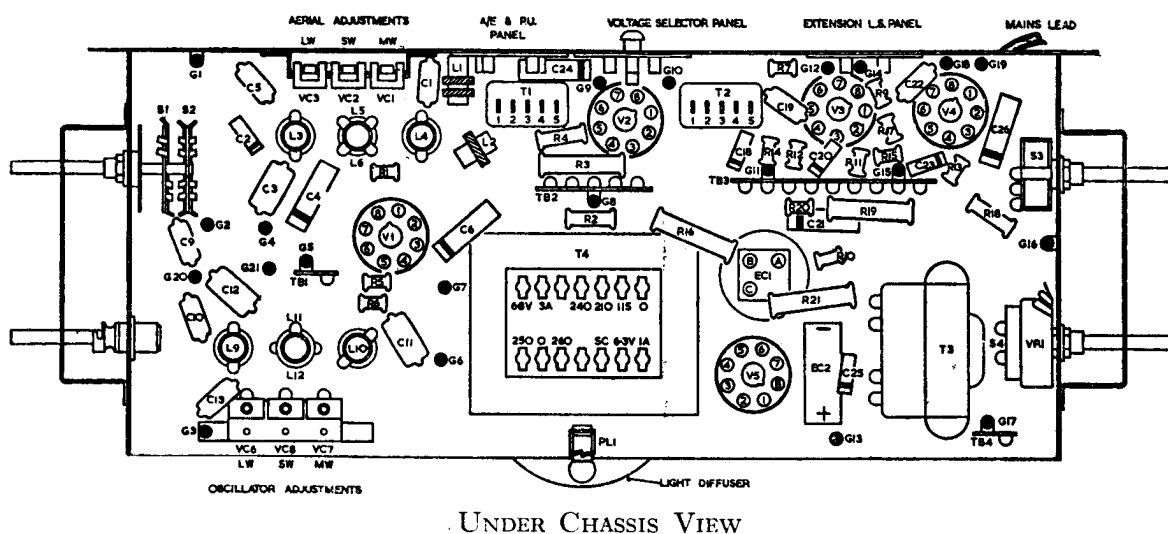
Intermediate Frequency : 465 kc/s.

Valve Analysis : Measured with 500-ohms/volt testmeter on a 230-volt 50-c/s. supply.

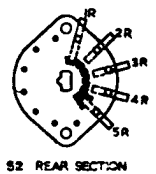
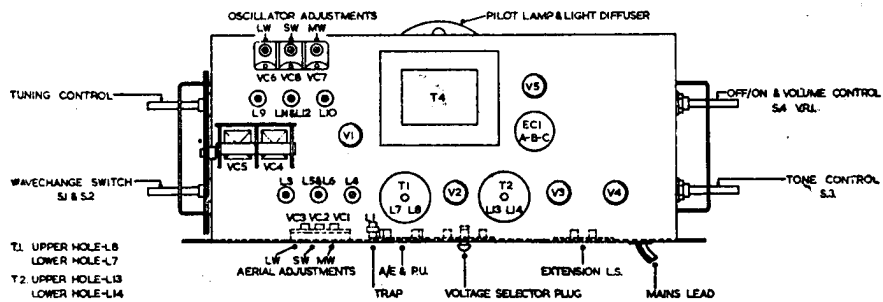
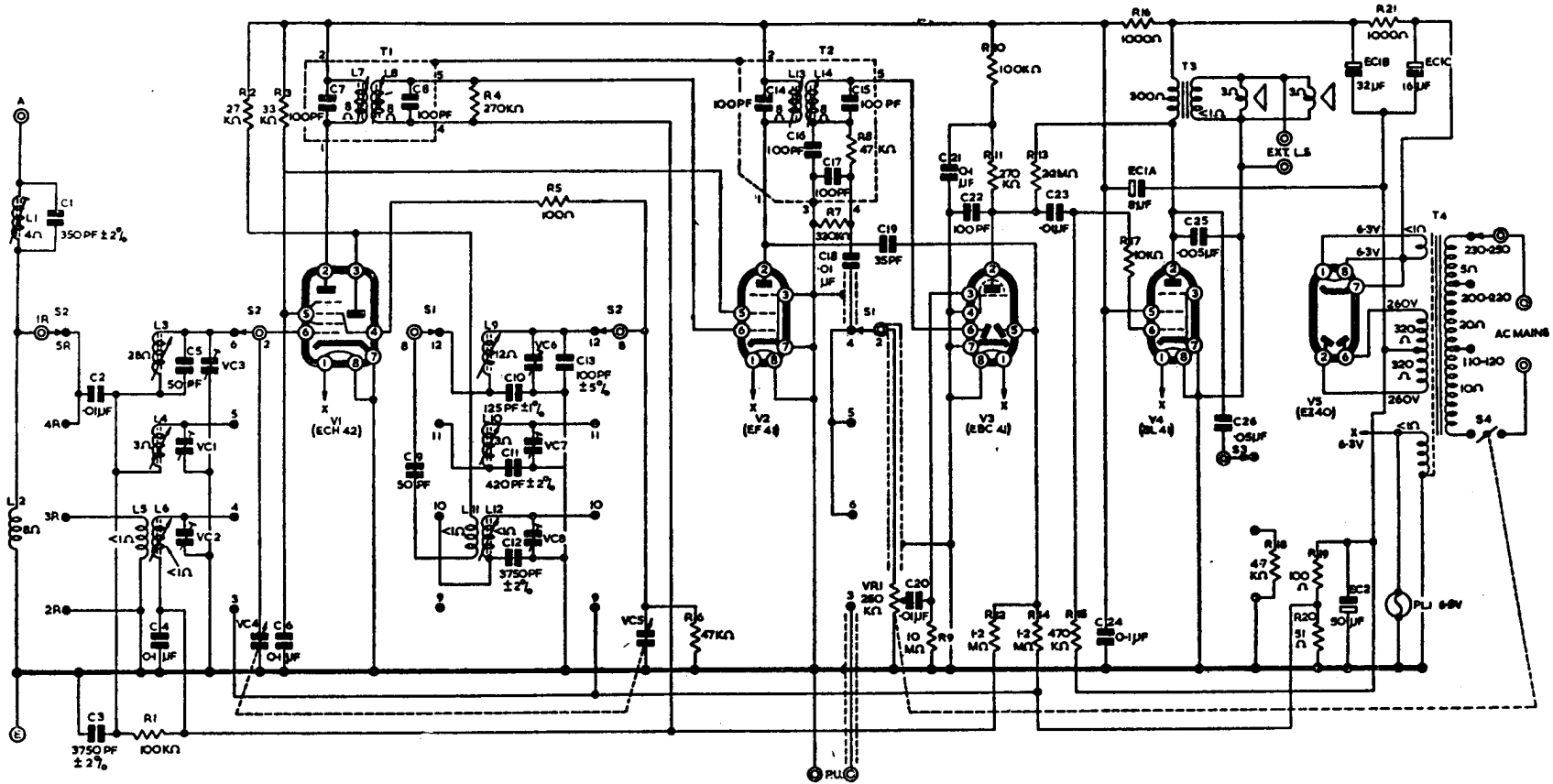
Valve	Anode Volts	Anode Current	Screen Volts	Screen Current
V1 ECH42 (Osc.)	212 (pin 2) 70 (pin 3)	2.5 5.5 *	66 (pin 5)	3.5
V2 EF41	212 (pin 2)	3.0	68 (pin 5)	1.0
V3 EBC41	60 (pin 2)	0.5	—	—
V4 EL41	225 (pin 2)	22	205 (pin 5)	3.0
V5 EZ40	Pins 2 and 6, 255 volts A.C. at each anode †		—	—

* Triode oscillator section. † With respect to mains-transformer secondary centre tap. Negative line volts: 2 volts across 51 ohms; 4 volts across 100 ohms. Rectifier cathode output: 270 volts at 41 mA.

Alignment Summary : The alignment procedure is the same as that described for Model U25 (see page 158), but chassis is isolated from the mains supply.



CIRCUIT DIAGRAM, TOP CHASSIS VIEW AND SWITCH DETAILS—REGENTONE MODEL, A25



SWITCH WAFERS SHOWN IN L/R POSITION AS VIEWED FROM REAR END OF SWITCH WITH CHASSIS UPSIDE DOWN.