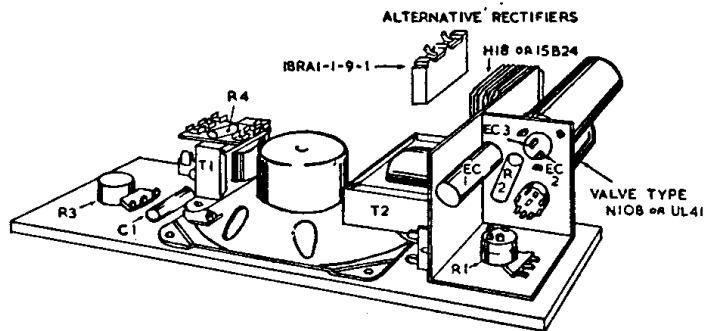
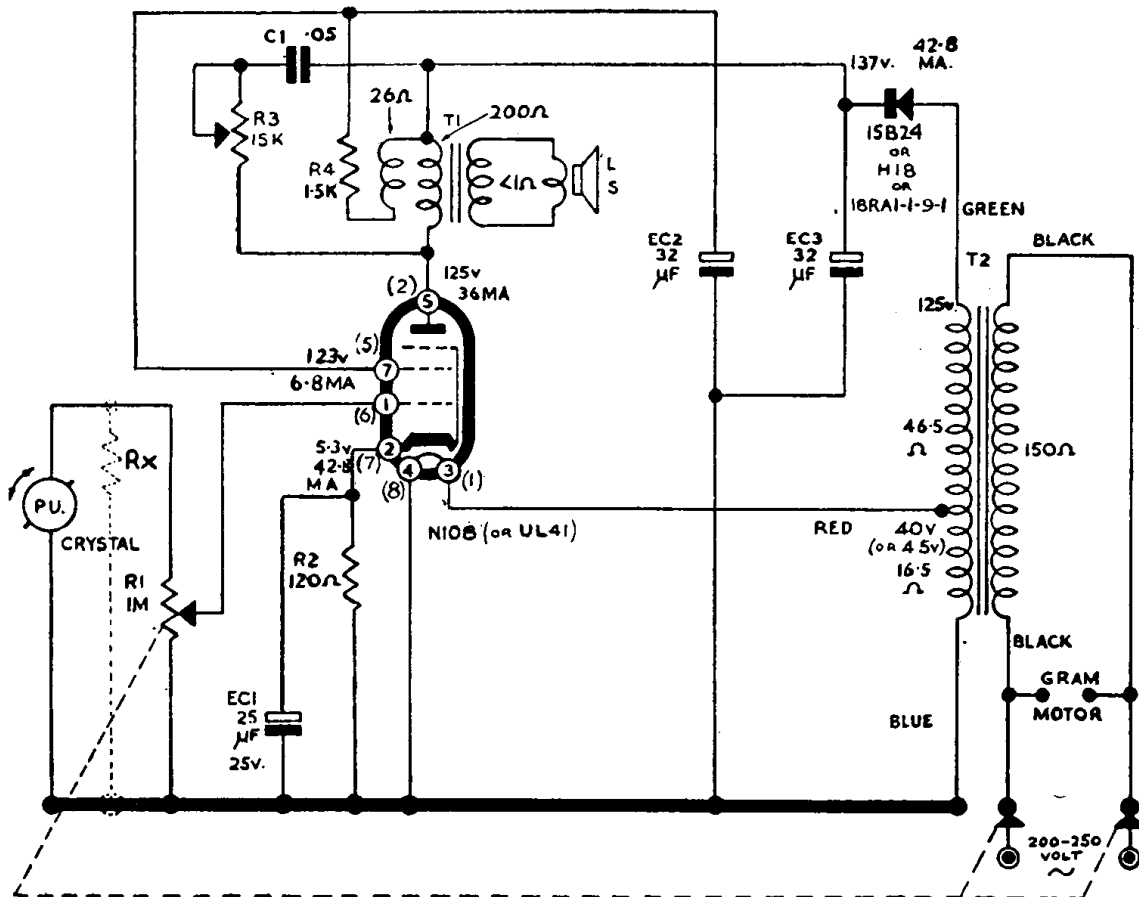


General Description : Three-speed, auto-change record player with one-valve (plus metal rectifier) amplifier, for A.C. mains, 200–250 volts, 50 c/s. Collaro RC54 record-change unit with crystal turnover pick-up.

Circuit Notes : A contact-cooled rectifier (18RA1-1-9-1) is fitted in some models. A pick-up shunt (R_x) is fitted with some heads, and is usually 680k. R_4 may vary from 1.5k to 3k. Either a N108 or UL41 valve is fitted; these are not interchangeable.



LAY-OUT OF COMPONENTS



CIRCUIT DIAGRAM—REGENTONE "HANDYGRAM" MODEL AHG3F