

REGENTONE Models ARG359U, ARG359U/2

General Description : As for ARG359, but for A.C./D.C. mains.

Power Supply : A.C./D.C. mains, 200–250 volts, 50–100 c/s. Consumption 60 watts.

Wavebands : As for ARG359.

Intermediate Frequency : 465 kc/s.

Audio Output : 3.5 watts.

Valves :

Model ARG359U : (V1) CCH35; (V2) EF39; (V3) EBC33; (V4) CL33; (V5) CY31.

Model ARG359U/2 : (V1) 10C1; (V2) 10F9; (V3) 10LD11; (V4) 10P14; (V5) U404.

Dial Lamps :

Model ARG359U : Two 6.5 volts, 0.3 amp.

Model ARG359U/2 : Two 3.5 volts, 0.15 amp.

Ext. Loudspeaker : Impedance 2.5 ohms.

Gram. P.U. : High-impedance or crystal types.

Gram. Motor : Garrard RC65A-U16.

Alignment Procedure : As for ARG349.

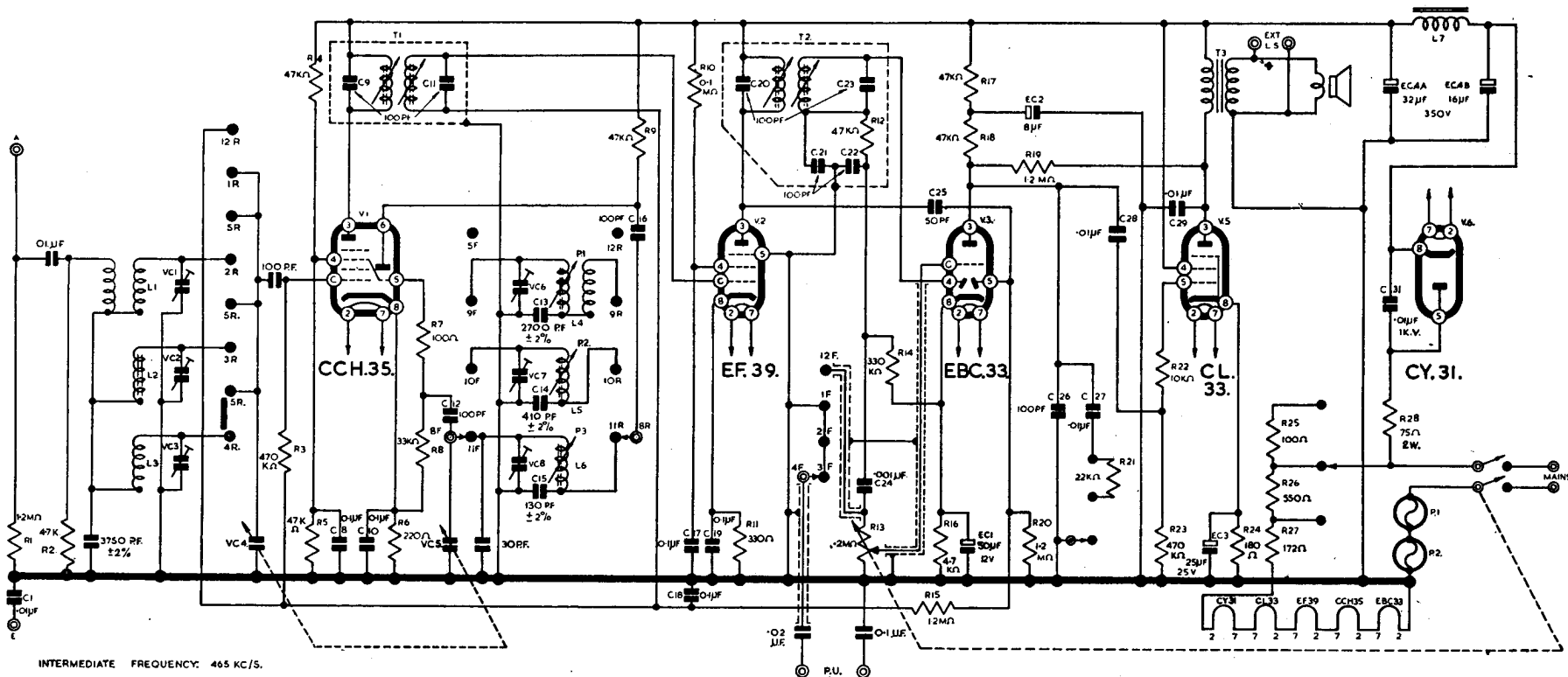
Voltage Checks : Measured on Avo No. 7 testmeter. Chassis negative.

Model ARG359U

	<i>Anode</i>	<i>Screen</i>	<i>Osc. Anode</i>	<i>Cathode</i>
V1	240 v.	58 v.	78 v. (operative) 52 v. (inoperative)	1.4/2.25 v.
V2	240 v.	58 v.	—	2.25 v.
V3	88 v.	—	—	2.3 v.
V4	215 v.	240 v.	—	9.2 v.
V5	200/250 v. A.C./D.C.	—	—	25.6 v.

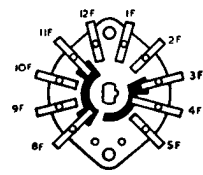
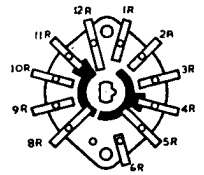
Model ARG359U/2

	<i>Anode</i>	<i>Screen</i>	<i>Osc. Anode</i>	<i>Cathode</i>
V1	195 v.	75 v.	55 v. (operative) 40 v. (inoperative)	—
V2	195 v.	55 v.	—	—
V3	30 v.	—	—	0.8 v.
V4	140 v.	150 v.	—	7.25 v.
V5	210 A.C.	—	—	215 v.

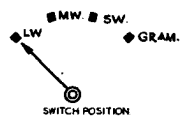


REGENTONE

INTERMEDIATE FREQUENCY: 465 KC/S.



SWITCH WAFER AS SEEN WHEN LOOKING AT REAR UNDERSIDE OF CHASSIS



NOTE U.353.

R.5. 56 K.Ω.

TWIN-SPEAKERS.

C.29. 0.005 μF

CIRCUIT DIAGRAM—REGENTONE MODEL ARG359U