

REGENTONE

Models ARG369, ARG69/3

General Description : Five-valve (including rectifier), three-waveband auto-radiogramophone with three-speed record changer and turnover crystal pick-up head. Model ARG 69/3 uses a basically similar chassis, but is fitted with twin loudspeakers. A similar radio chassis is also fitted in the Regentone 17-in. radio-television combination.

Power Supply : A.C. mains, 110–120 volts and 200–250 volts (three adjustment tappings). Consumption (radio only) 30 watts apparent.

Wavebands : L.W. 1000–2000 m.; M.W. 180–550 m.; S.W. 16.6–50 m.

Intermediate Frequency : 470 kc/s.

Valves : (V₁) ECH42; (V₂) EF41; (V₃) EBC41; (V₄) EL41; (V₅) EZ40. Valve voltages are shown on the circuit diagram.

Alignment Summary : The alignment procedure follows standard practice, using the alignment frequencies indicated below :

I.F. : Inject a 470-kc/s. signal via a 0.1- μ F. capacitor to fixed vanes of R.F. section (VC₄) of tuning gang. Adjust dust cores of L₁₃, L₁₂, L₇ and L₆.

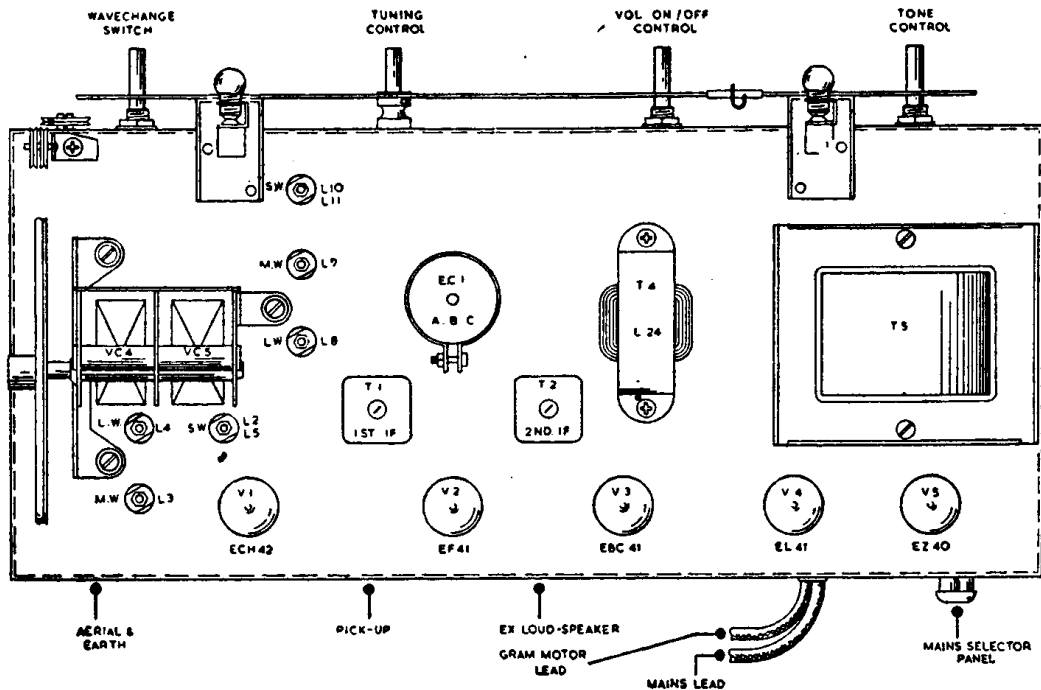
I.F. Trap : Inject a 470-kc/s. signal via dummy aerial to aerial and earth sockets with receiver on M.W. and tuning gang fully open. Adjust core of L₁ for minimum output.

L.W. : Pad L₈, then L₃ at 1900 m. (157.9 kc/s.). Trim TC₄, then TC₁ at 1000 m. (300 kc/s.). Repeat adjustments and check calibration.

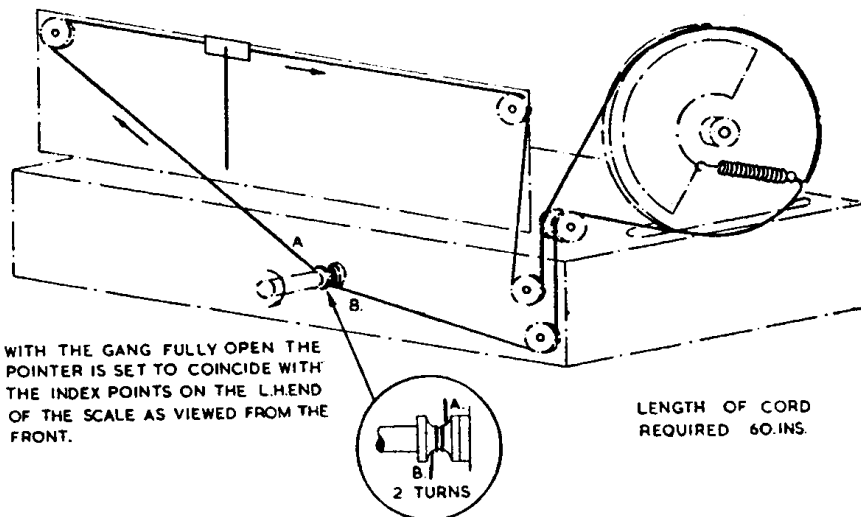
M.W. : Pad L₉, then L₄ at 525 m. (571.4 kc/s.). Trim TC₅, then TC₂ at 200 m. (1500 kc/s.). Repeat adjustments and check calibration.

S.W. : Pad L₁₀, L₁₁ and then L₂ (three cores) at 7.5 Mc/s. Trim TC₆, then TC₃ at 15 Mc/s. Rock gang slightly whilst adjusting TC₃. Repeat adjustments and check calibration. Finally re-seal all trimmers.

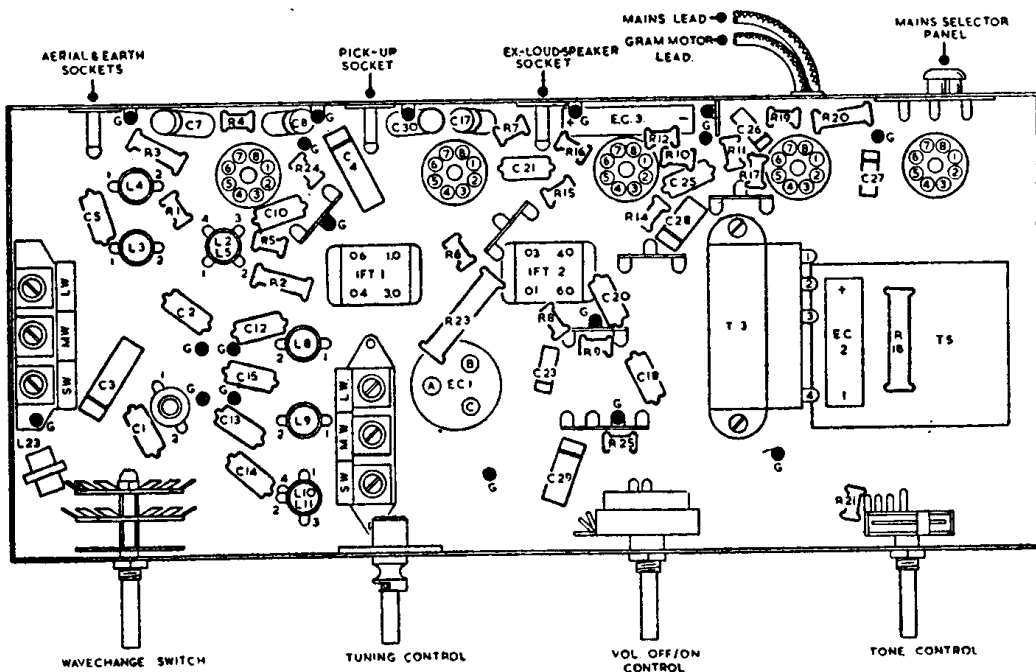
REGENTONE



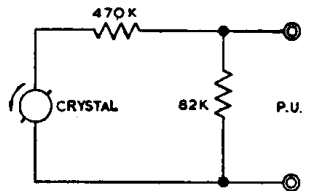
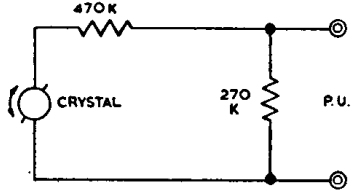
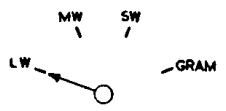
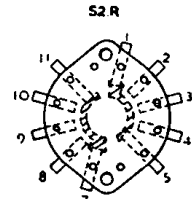
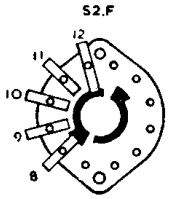
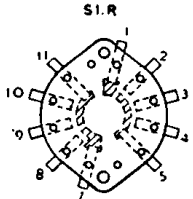
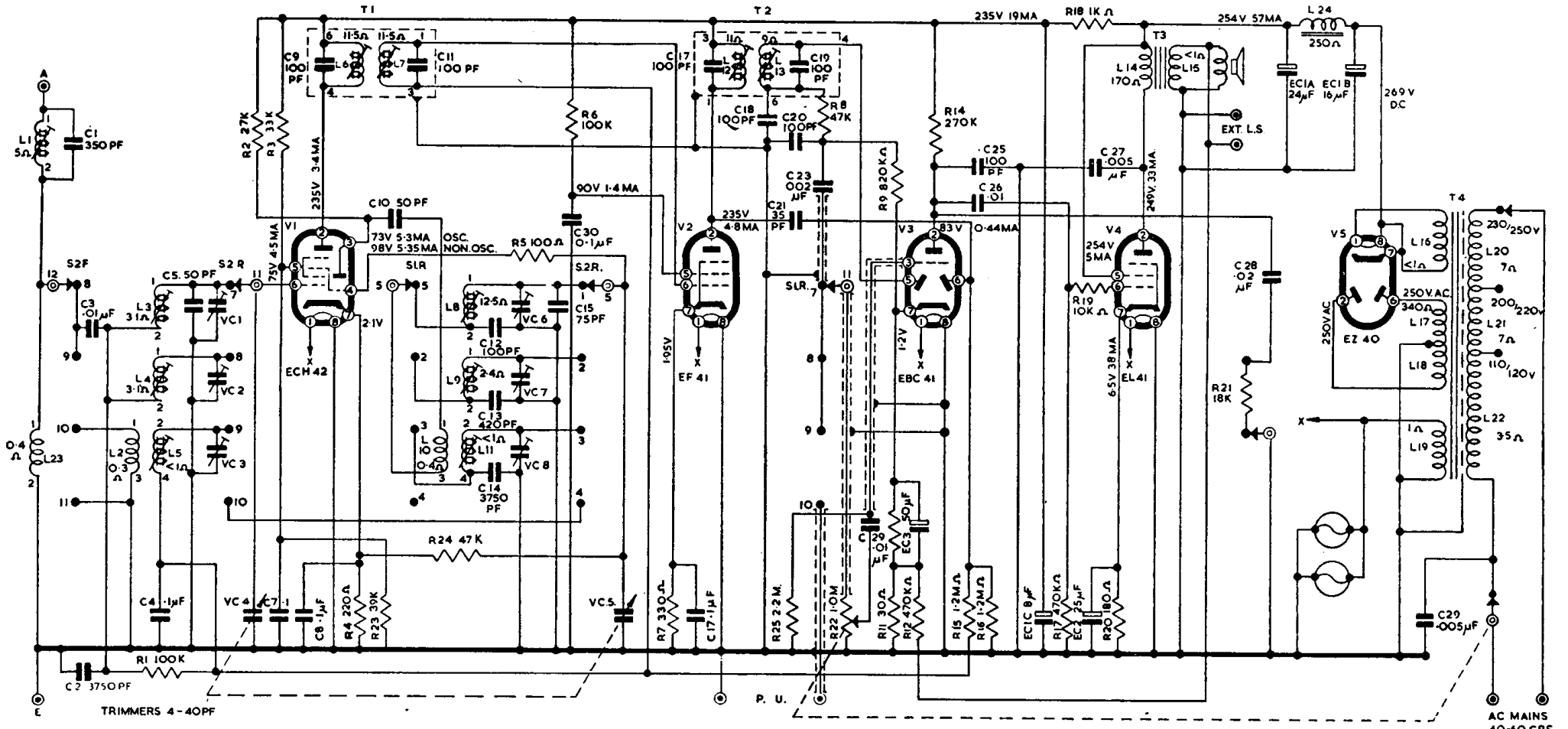
TOP CHASSIS VIEW



CORD DRIVE RESTRINGING DIAGRAM



UNDER CHASSIS LAY-OUT



SWITCH WAFERS VIEWED FROM KNOB ON UNDERSIDE OF CHASSIS
 METER READINGS:- MODEL 7 AVO. MAINS 230V. A.C. TAP 230-250 V
 V.C. AT MIN. GANG AT MAX. ON MW. WITH NO AERIAL
 < 1Ω = LESS THAN 1 OHM

CIRCUIT DIAGRAM—REGENTONE MODELS ARG369, ARG69/3