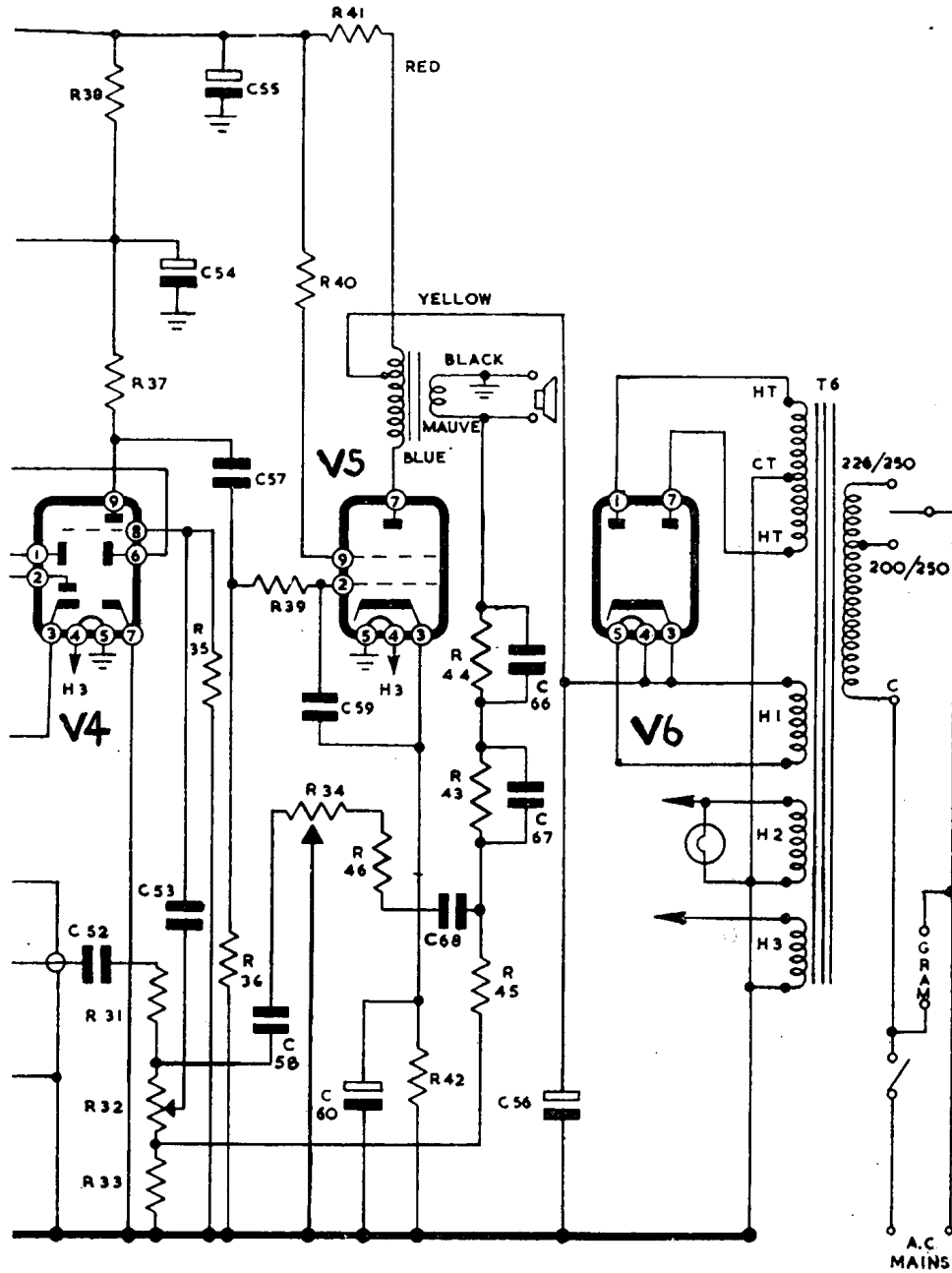


General Description : Seven-valve (including rectifier and tuning indicator), four-waveband (including V.H.F.), combined A.M./F.M. auto-radiogramophone with three loudspeakers and four-speed gramophone motor. The R.F. and I.F. stages of this model are similar to the Regentone A.M./F.M. chassis (Models A155, etc.) covered in an earlier volume. The output stage, however, uses a different negative feedback arrangement, and the circuit of this part of the receiver is as given in the accompanying diagram.

Valves : (V₁) ECC85; (V₂) ECH81; (V₃) EF85; (V₄) EABC80; (V₅) EL84; (V₆) EZ80; (V₇) EM80.

Wavebands : L.W. 1000-2000 m.; M.W. 187-550 m.; S.W. 17-50 m.; V.H.F. 87-100 Mc/s.



CIRCUIT DIAGRAM OF A.F. OUTPUT STAGE, REGENTONE "CONTINENTAL"

Capacitors.

C52	0.01
C53	0.01
C54	8
C55	32
C56	32
C57	0.05
C58	5000 pF.
C59	100 pF. (5%, 750 v.)
C60	25 (12 v.)
C62	0.05
C66	500 pF.

C67	0.25
C68	0.5

Resistors.

R31	100k
R32	0.5M (log)
R33	100
R34	0.5M (log)
R35	5.6M
R36	560k
R37	220k

R38	2.2k (½ W.)
R39	47k
R40	39
R41	1.5k (2 W.)
R42	180 (½ W.)
R43	2.2k
R44	1k
R45	220
R46	39

(½ W. 10% except where otherwise specified).