

REGENTONE

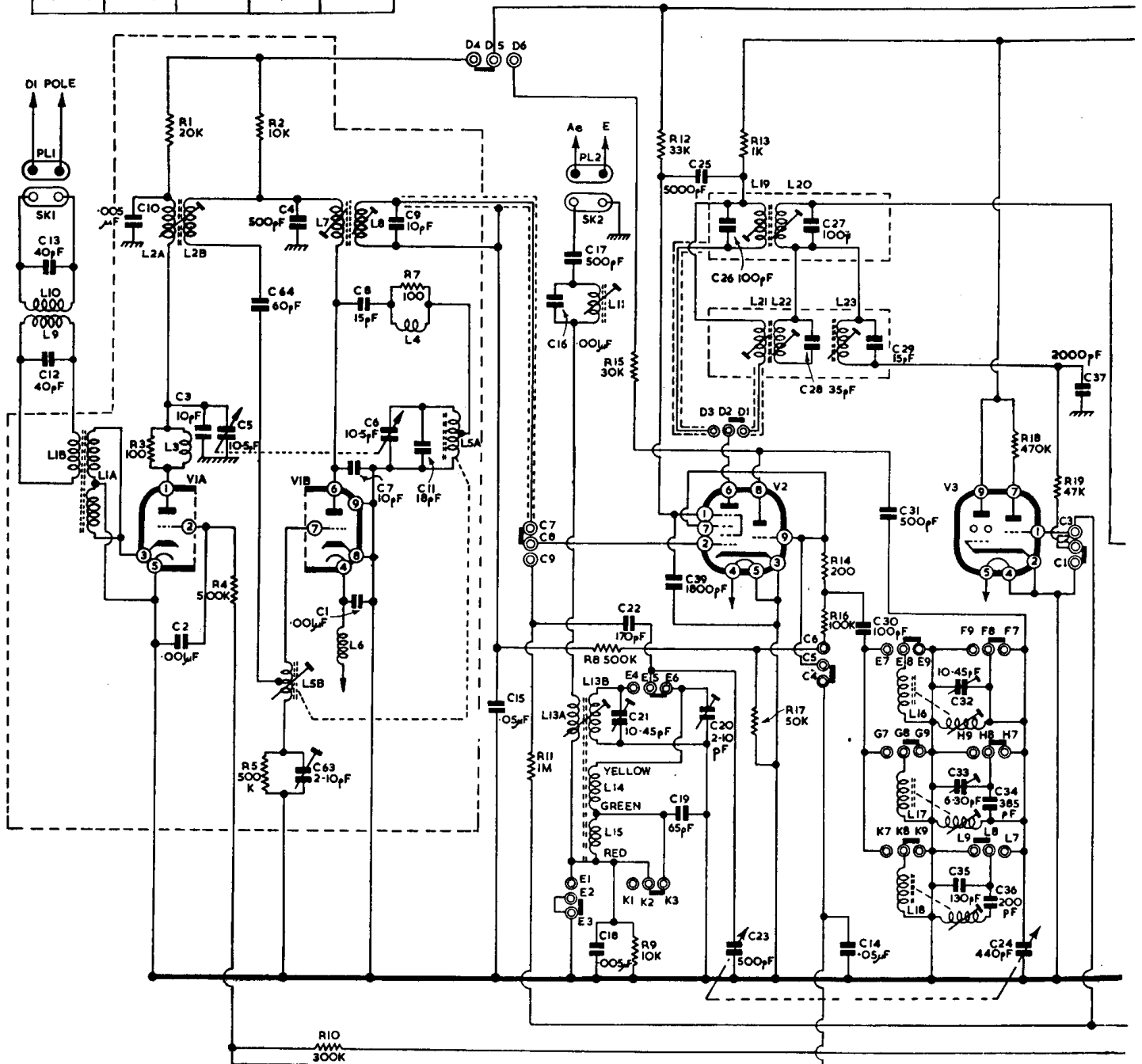
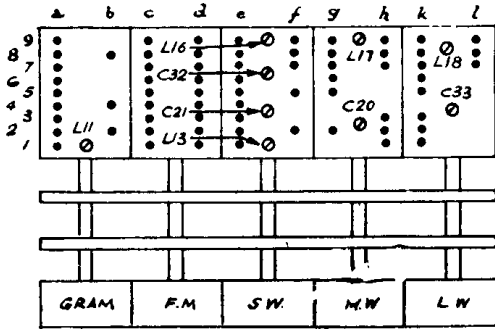
Model NINE-3

General Description: Nine-valve (including rectifier and tuning indicator), four-waveband, A.M./F.M. stereo radiogram with B.S.R. Type UA12 record unit and "Ful-Fi" stereo head. Two loudspeakers for each channel, one 8 × 6 in. elliptical and one 4-in. tweeter.

Independent bass and treble tone controls.

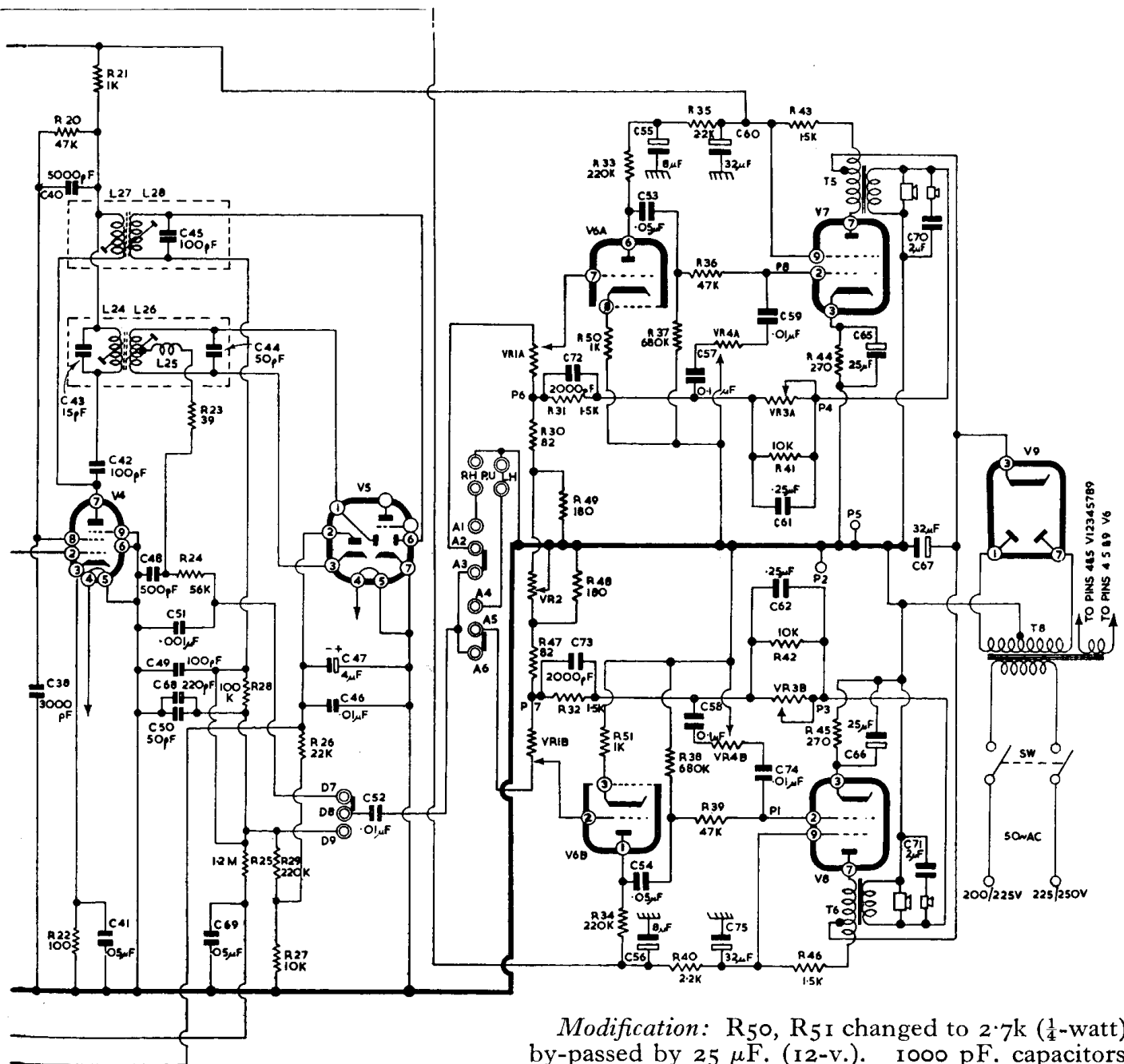
Power Supply: A.C. mains, 200-250 volts, 50 c/s.

Wavebands: L.W. 1000-2000 m.; M.W. 187-550 m.; S.W. 17-50 m.; V.H.F. 87-100 Mc/s.



CIRCUIT DIAGRAM—

Valve	Anode, volts	Anode, mA.	Screen, volts	Screen, mA.	Cathode, volts	Cathode, mA.
V1A ECC85	120	4.2	—	—	—	11
V1B ECC85	185	6.7	—	—	—	—
V2 ECH81 (triode)	262	7.8	89	5	—	17.8
V3 EM81	45	—	270 (target)	—	—	—
V4 EF89	267	9	95	3.5	1.25	12.5
V5 EABC80	—	—	—	—	—	—
V6A ECC83	105	0.7	—	—	0.7	0.7
V6B ECC83	95	0.8	—	—	0.8	0.8
V7 EL84	300	32	260	5	9.4	37
V8 EL84	300	32	260	5	9.4	37
V9 EZ81	260 A.C.	—	—	—	318	116



Modification: R50, R51 changed to 2.7k (¼-watt) by-passed by 25 µF. (12-v.). 1000 pF. capacitors from pin 7 to pin 9 on each output valve.

REGENTONE MODEL NINE-3