

REGENTONE

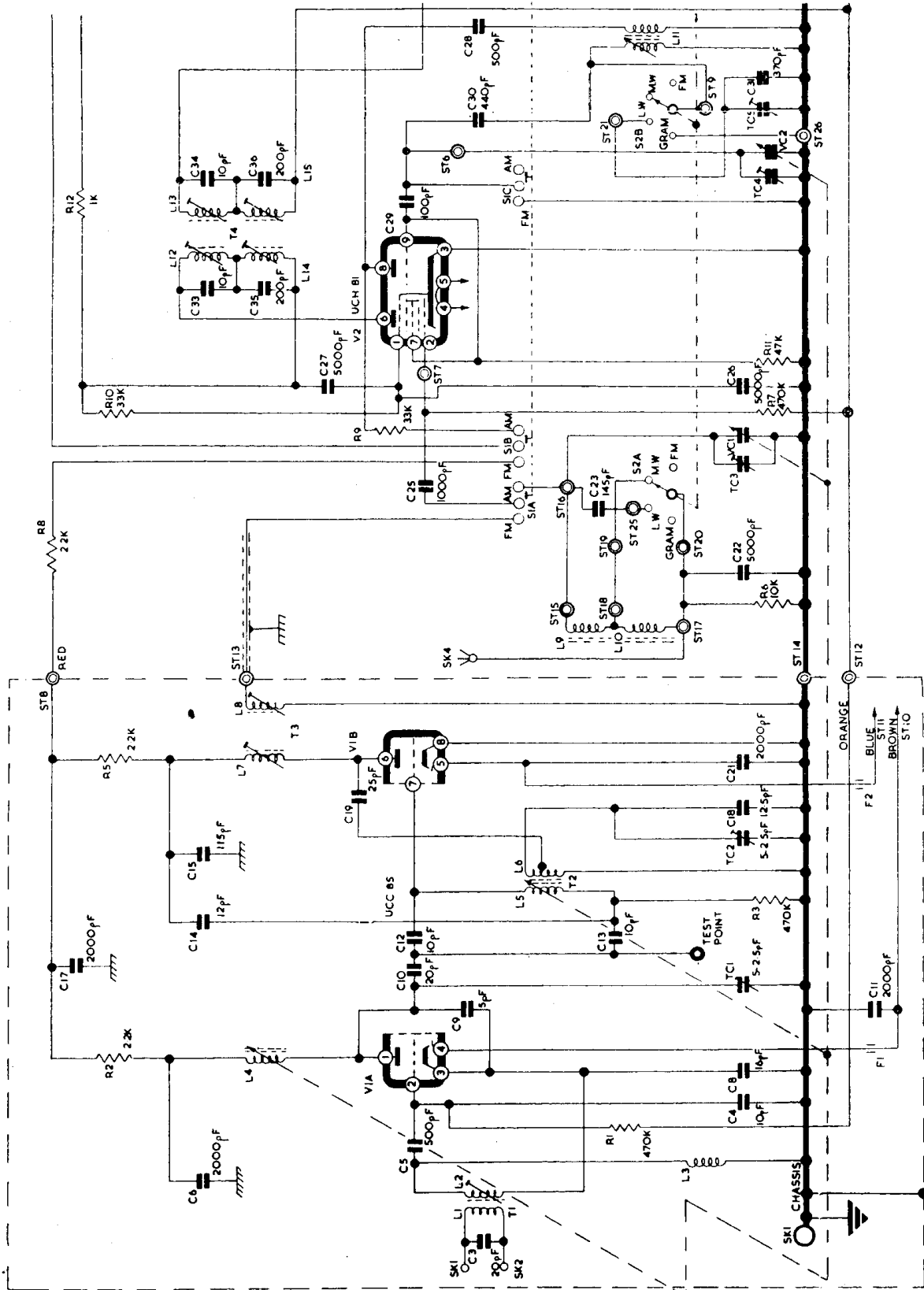
Model SRG87

General Description: Seven-valve (including tuning indicator), three-waveband, A.M./F.M. stereo radiogram, with B.S.R. Type UA12 record changer. A.C. mains, 200–250 volts, 50 c/s., 80 watts (radio).

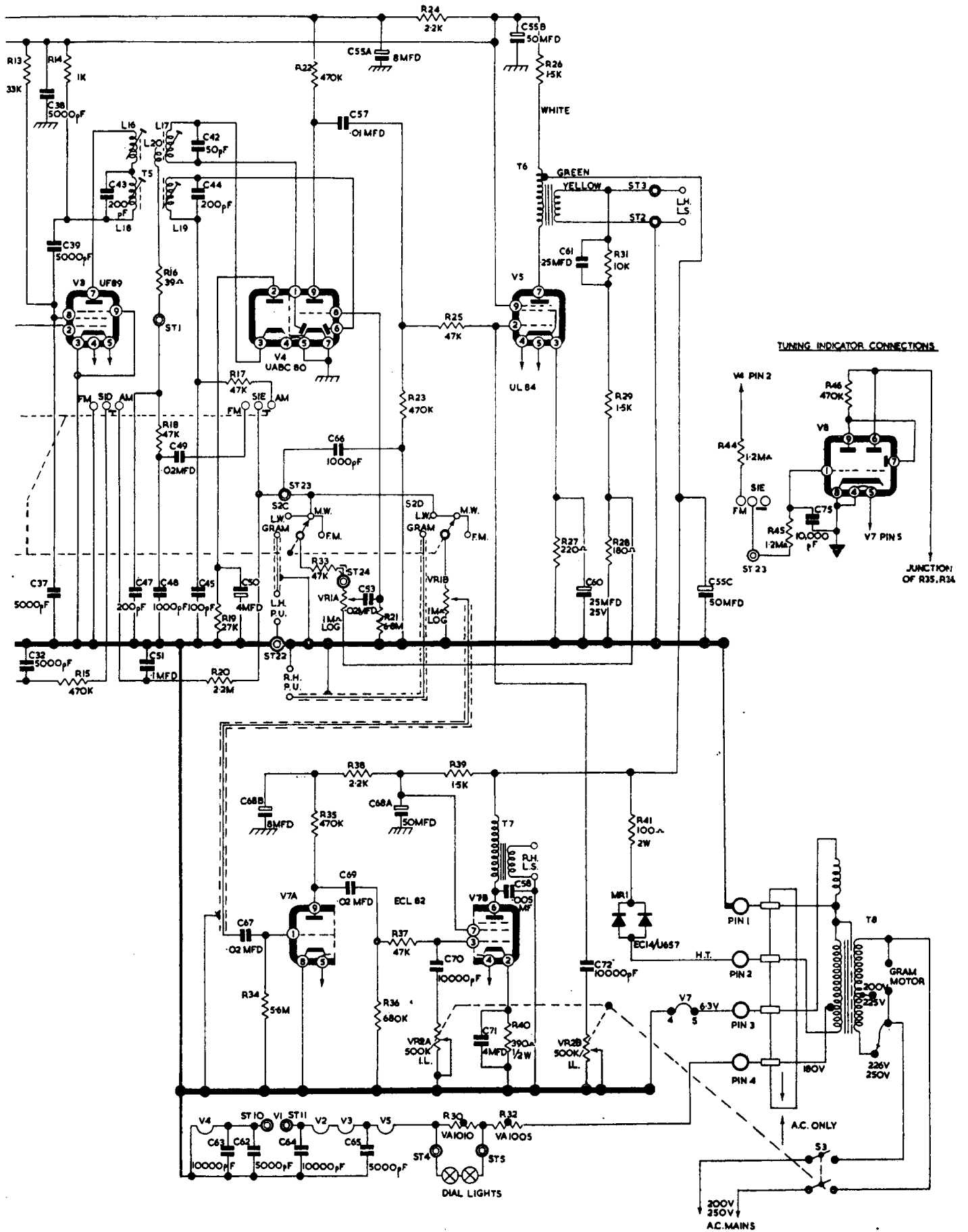
<i>Valve</i>		<i>Anode, volts</i>	<i>Anode, mA.</i>	<i>Screen, volts</i>	<i>Screen, mA.</i>	<i>Cathode, volts</i>
V1A	UCC85 . . .	110	7	—	—	—
V1B	UCC85 . . .	120	5	—	—	—
V2	UCH81 . . .	185	3.4	68	3.6	—
	(osc.) . . .	78	3.7	—	—	—
V3	UF89 . . .	196	8	96	3.3	—
V4	UABC80 . . .	55	0.3	—	—	—
V5	UL84 . . .	200	44	192	16	13.5
V7	ECL82 (triode) . . .	56	3.3	—	—	—
	ECL82 (pentode) . . .	210	33	215	4	14.5
V8	EM84 . . .	30	—	180 (target)	—	—

Rectifier Westinghouse EC/2N/1/16/1 or EC14/U657.

Component Notes: C23, C30, C31, 2%. C33, C34, C35, C36, C42, C43, C44 2½%. C3, C4, C10, C11, C13, C14, C15, C18, C19, R41 (2 W., wire-wound) 5%. R8, R24, R9, R10, R13, R40 ½ W. R27 1 W. VR1 2 × 1M log. VR2 2 × 500k inverse log.



EARLY STAGES OF REGENTONE MODEL SRG87
(circuit continued overpage)



REMAINING STAGES OF REGENTONE MODEL SRG87