

REGENTONE**Model U25**

General Description : Five-valve (including rectifier), three-waveband superheterodyne receiver.

Power Supplies: A.C. or D.C. mains, 200–250 volt (A.C. 40–100 c/s).

Wavebands : M.W. 176–550 m. (1704.5–545.4 kc/s.); L.W. 1000–2000 m. (300–150 kc/s.); S.W. 16.6–50 m. (18.6 Mc/s.).

Intermediate Frequency : 465 kc/s.

Power Consumption : 41 watts approximately.

Valve Analysis : Measured with 500-ohms/volt testmeter on a 230-volts 50-c/s. supply.

Valve	Anode Volts	Anode Current	Screen Volts	Screen Current
V1 UCH42 (Osc.)	190 (pin 2)	1.5	—	—
	83* (pin 3)	3.5	92 (pin 5)	2.5
	64 † (pin 3)	4.6	—	—
V2 UF41	190 (pin 2)	4.1	92 (pin 5)	1.3
V3 UBC41	63 (pin 2)	0.3	—	—
V4 UL41	196 (pin 2)	42	195 (pin 5)	7.8
V5 UY41	223 (pin 2)	—	—	—

* Triode oscillating

† Triode not oscillating.

Alignment Summary : Alignment procedure follows normal practice using the following adjustment points. Note that the chassis is "live".

I.F. : 465 kc/s, adjust L14, L13, L8, L7; afterwards, adjust L1 for minimum.

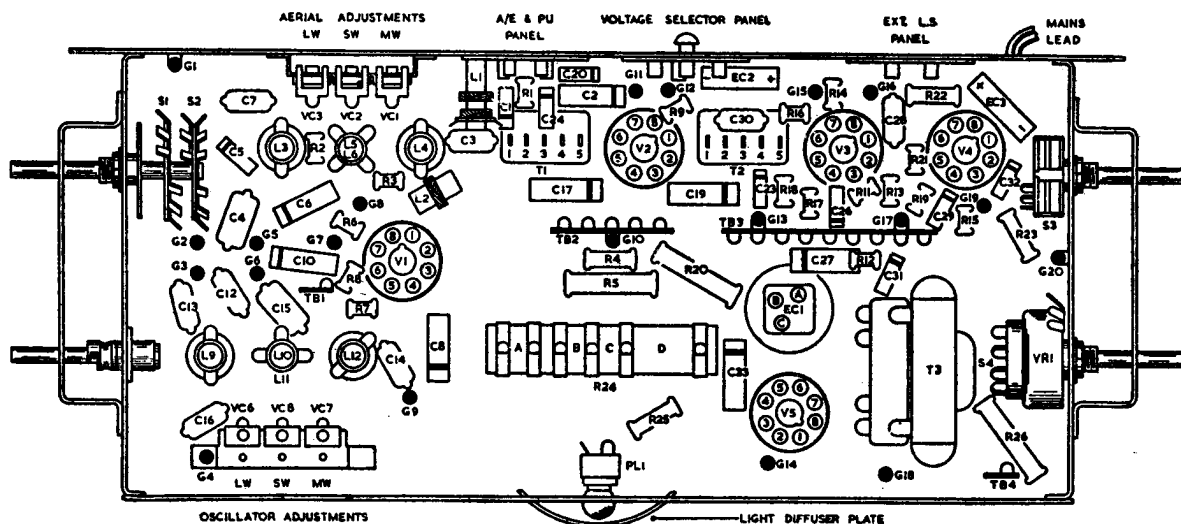
L.W. : 1000 m. (300 kc/s.), adjust VC6, then VC3. 1800 m. (166.7 kc/s.), adjust L9, then L3.

M.W. : 200 m. (1500 kc/s.), adjust VC7, then VC1. 500 m. (600 kc/s.), adjust L10, then L4.

S.W. : 16.7 m. (18 Mc/s.), adjust VC8, † then VC2. 50 m. (6 Mc/s.), adjust L12, then L6.

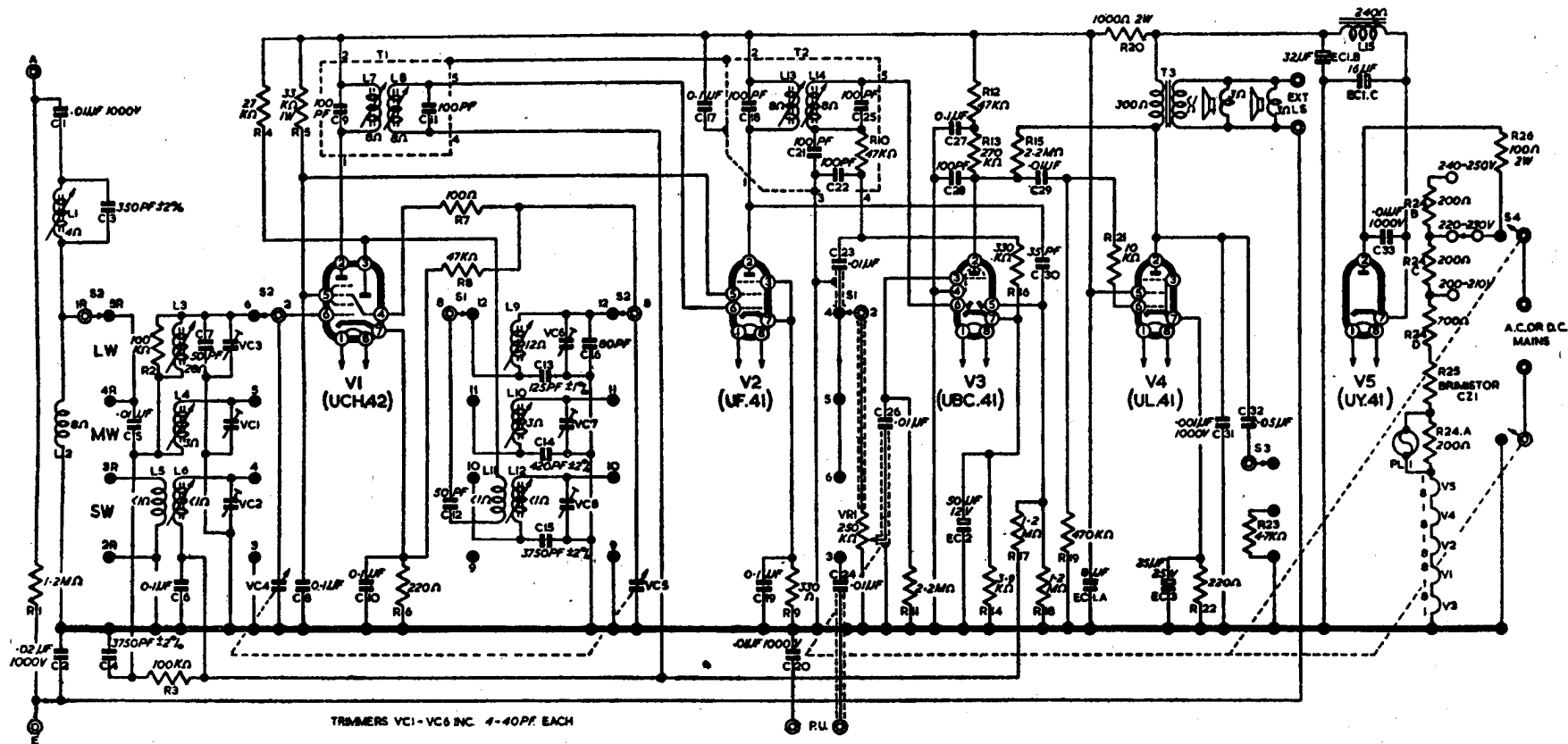
† VC8 should be adjusted for the last signal heard from the tight position.

Adjustments on each band should be repeated successively for maximum output.



UNDER CHASSIS VIEW

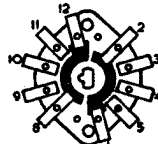
The top chassis R.F. lay-out is similar to Model A25.



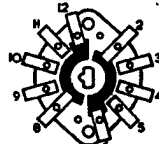
TRIMMERS VC1 - VC6 INC. 4-40PF. EACH

HEATER VOLTAGES	
UCH.42	14-0V
UF.41	12-6V
UBC.41	14-0V
UL.41	45-0V
UY.41	31-0V

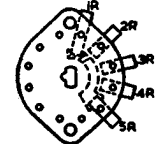
S1 FRONT SECTION



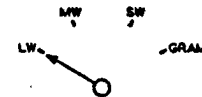
S2 FRONT SECTION



S2 REAR SECTION



SWITCH WAFERS SHOWN IN LW POSITION AS VIEWED FROM REAR END OF SWITCH WITH CHASSIS UPSIDE DOWN



SWITCH POSITION AS VIEWED FROM KNOB END OF SWITCH

CIRCUIT DIAGRAM—REGENTONE MODEL U25

REGENTONE