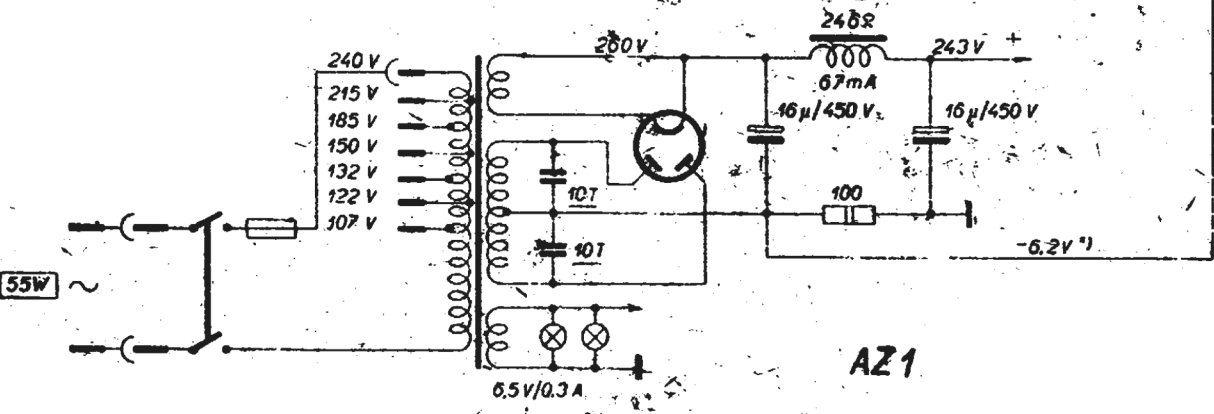
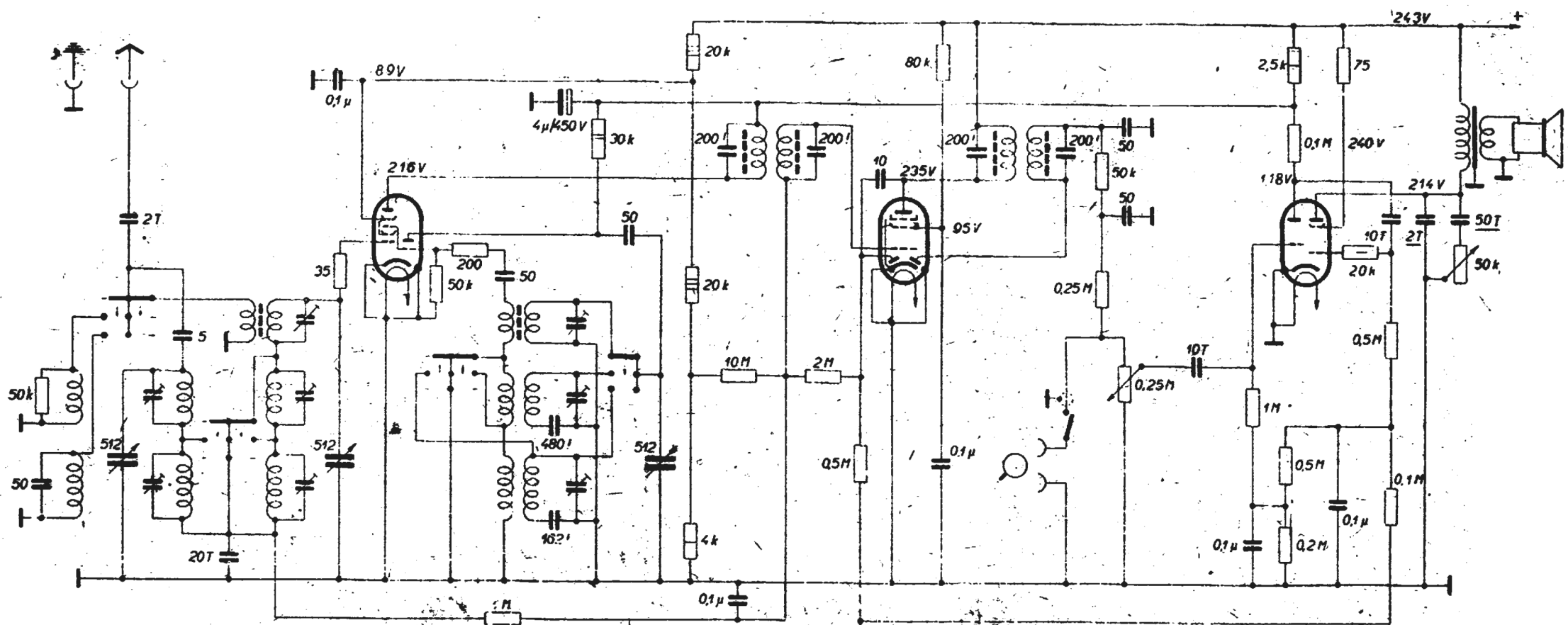


ECH 3

EBF 2

ECL 11



1	138 - 50 m
2	185 - 500 m
3	670 - 1050 m

$R_{VOL TH} = 500 \Omega / 250\,000 \Omega$
 $(\approx 5\,000 \Omega)$

TUNGSRAM 151

1940/41 MF = 473,6 kHz

AZ1