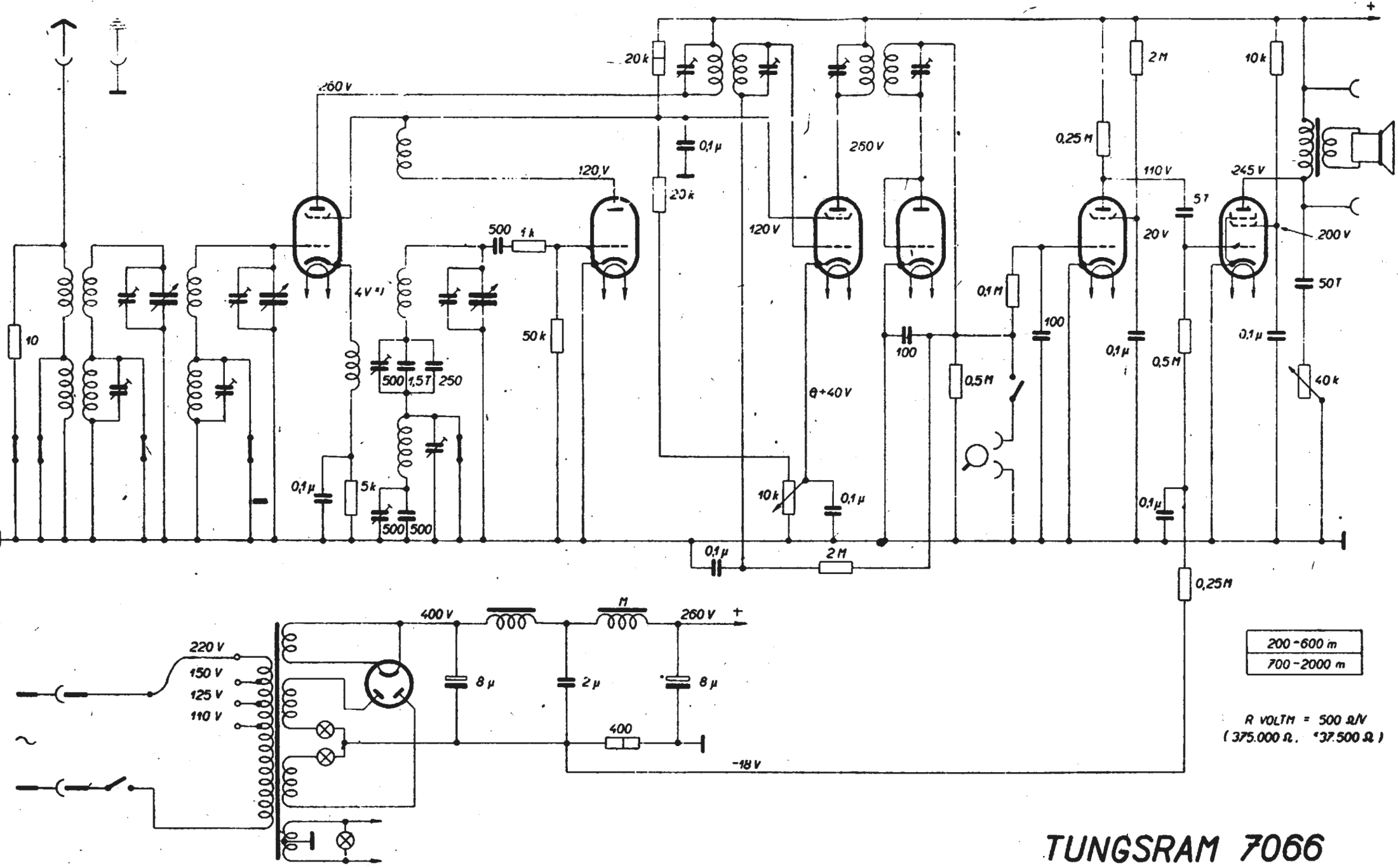


AS 4120

AG 495

AS 4125 AR 4101

AS 4120 APP 4120



200 - 600 m
700 - 2000 m

R VOLTM = 500 Ω/V  
 (375.000 Ω, \*37.500 Ω)

PV 495

TUNGSRAM 7066

1932/33 MF = 120 kHz