

VIDOR

Model CN.417

General Description : Five-valve (including rectifier), four-waveband superheterodyne table receiver.

Power Supply : A.C. mains, 195–255 volts, 40–100 c/s. (three adjustment tappings). Consumption approximately 40 watts.

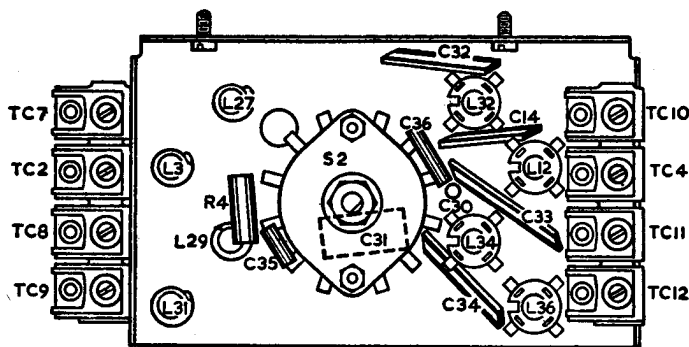
Wavebands : L.W. 1052–2000 m. (285–150 kc/s.); M.W. 187–571 m. (1605–525 kc/s.); S.W.2 75–188 m. (1.6–4.0 Mc/s.); S.W.1 16.6–50.8 m. (5.9–18.0 Mc/s.).

Intermediate Frequency : 475 kc/s.

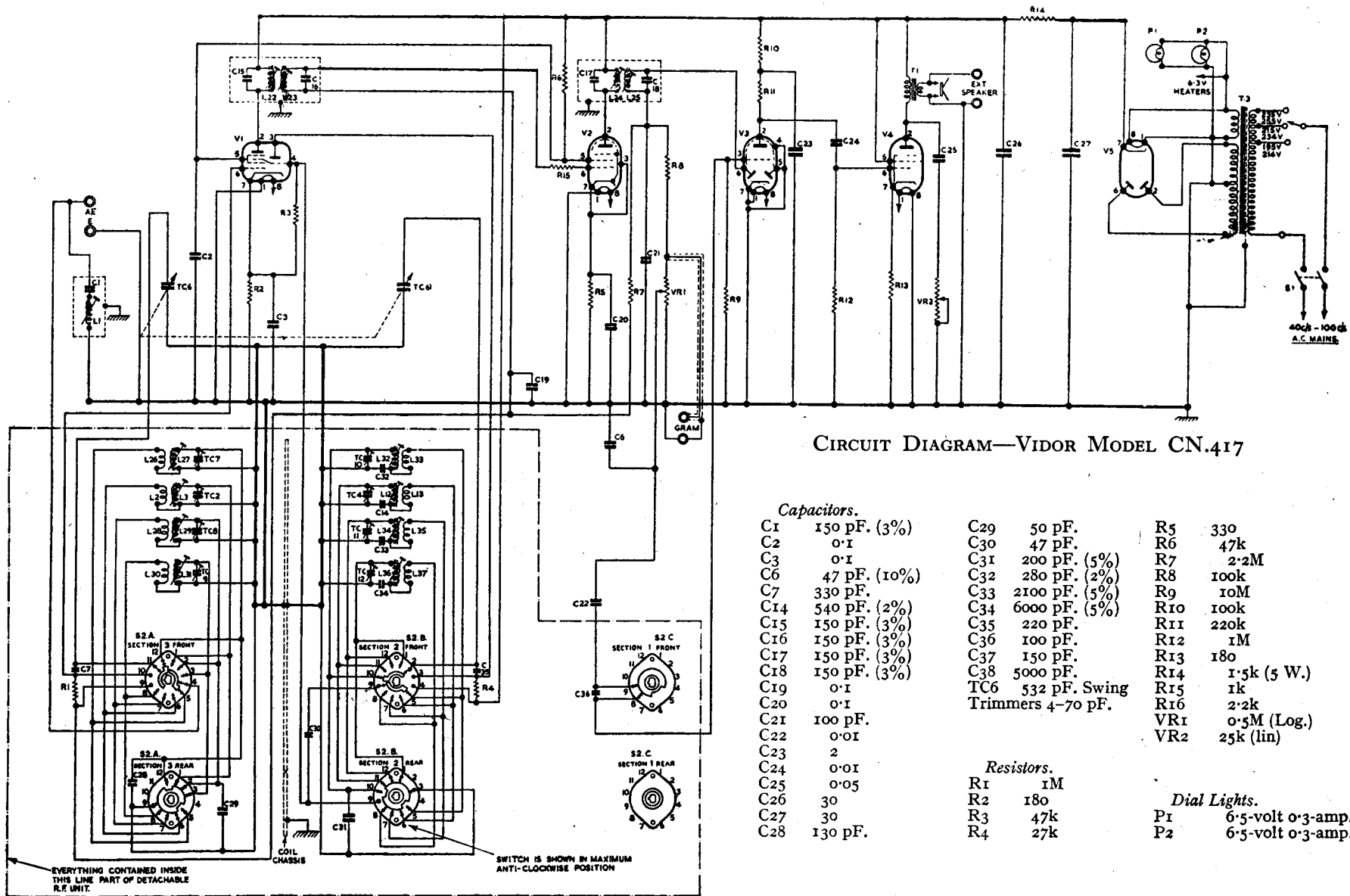
Valve Analysis : Measured with 500-ohms/volt testmeter on M.W. under no-signal conditions.

Valve	V_a (Volts)	I_a (mA.)	V_{g2} (Volts)	I_{g2} (mA.)	V_k (Volts)
V1 ECH42 (osc.)	237 108	1.5 5.1	71 —	3.1 —	1.6 —
V2 EF41	236	3.4	71	1.0	1.4
V3 EBC41	57	0.5	—	—	—
V4 EL41	221	32.0	238	4.5	6.8
V5 EZ40	292 A.C.	25.5 (each)	—	—	314

Alignment Summary : The alignment procedure in general follows standard practice. A special calibration scale (0–100) is fitted and corresponds to the frequencies listed below. The I.F. rejector (L1 core) is adjusted for minimum output when a 475-kc/s. signal is injected into the aerial and earth sockets. Pointer should align with "O" with gang fully enmeshed. All operations should be repeated in the normal manner.



Range	Calibration Scale	Signal Generator		Adjust for Maximum Response
		metres	kc/s.	
L.W.	9.5	1900	158	L32, then L27 TC10, then TC7
	88.5	1100	173	
M.W.	20	500	600	L12, then L3 TC4, then TC2
	92.5	200	1,500	
S.W.2	15	170	1,760	L34, then L29 TC11, then TC8
	90.5	80	3,750	
S.W.1	17	45	6,670	L36, then L31 TC12, then TC9
	92	18	16,670	



CIRCUIT DIAGRAM—VIDOR MODEL CN.417

Capacitors.

C1	150 pF. (3%)
C2	0.1
C3	0.1
C6	47 pF. (10%)
C7	330 pF.
C14	540 pF. (2%)
C15	150 pF. (3%)
C16	150 pF. (3%)
C17	150 pF. (3%)
C18	150 pF. (3%)
C19	0.1
C20	0.1
C21	100 pF.
C22	0.01
C23	2
C24	0.01
C25	0.05
C26	30
C27	30
C28	130 pF.

C29	50 pF.
C30	47 pF.
C31	200 pF. (5%)
C32	280 pF. (2%)
C33	2100 pF. (5%)
C34	6000 pF. (5%)
C35	220 pF.
C36	100 pF.
C37	150 pF.
C38	5000 pF.
TC6	532 pF. Swing
Trimmers 4-70 pF.	

Resistors.

R1	1M
R2	180
R3	47k
R4	27k

R5	330
R6	47k
R7	2.2M
R8	100k
R9	10M
R10	100k
R11	220k
R12	1M
R13	180
R14	1.5k (5 W.)
R15	1k
R16	2.2k
VR1	0.5M (Log.)
VR2	25k (lin)

Dial Lights.

P1	6.5-volt 0.3-amp.
P2	6.5-volt 0.3-amp.

VIDOR