

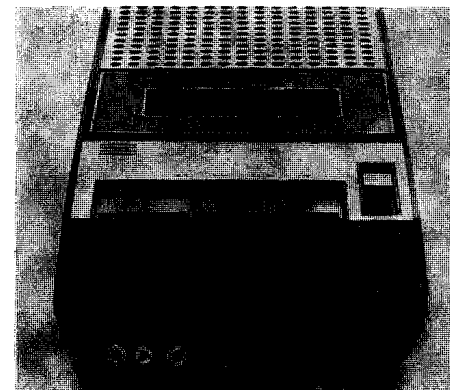
ERT

SERVICE CHART

2219

ALBA R29

Cassette tape recorder



THE R29 is a 2-track mono cassette tape recorder employing DC bias and erasure and featuring automatic recording level, tape-end auto-stop and built-in electret microphone. Sockets are provided for the connection of an external microphone, with remote facilities and for the connection of an earphone or external speaker. The tape recorder may be operated from internal batteries or from AC mains.

Power supply

(1) 6V DC, from 4 × 1.5V cells of type HP11 or equivalent.

(2) 240V 50Hz.
Insertion of AC mains plug automatically cuts out the batteries.

Fuse

FS1: 32mA, mains input

Transistors

TR1	ED1602C
TR2	ED1602E
TR3	ED1602D
TR4	ED1602D
TR5	ED1402C
TR6	ED1802M
TR7	ED1702M

Diodes

D1	BA315
D2	BA315

Audio output

500mW maximum

Loudspeaker

3in. dia. 8ohms

Tape speed variation

4.76cm/s ±2%

Signal/Noise ratio

Input -65dB (0dBm): -30dB

Frequency range

100Hz to 7500Hz

Wow and flutter

Less than 0.35% (WRMS)

Sockets

SKT1: 5-pin DIN socket. Input, pins 1/4 and 2; output, pins 3/5 and 2.

SKT2: AC mains socket. Insertion of plug actuates SW3 to disconnect batteries.

JK1: 3.5mm jack socket for external microphone.

JK2: 1.8mm jack socket for remote control of microphone (used with JK1).

JK3: 3.5mm jack socket for earphone or external loudspeaker.

Manufacturer

Alba (Radio and Television) Ltd, Bull Lane, Edmonton, London N18 1SD. Tel: 01-803 4451.

Service department

As above.

Dismantling

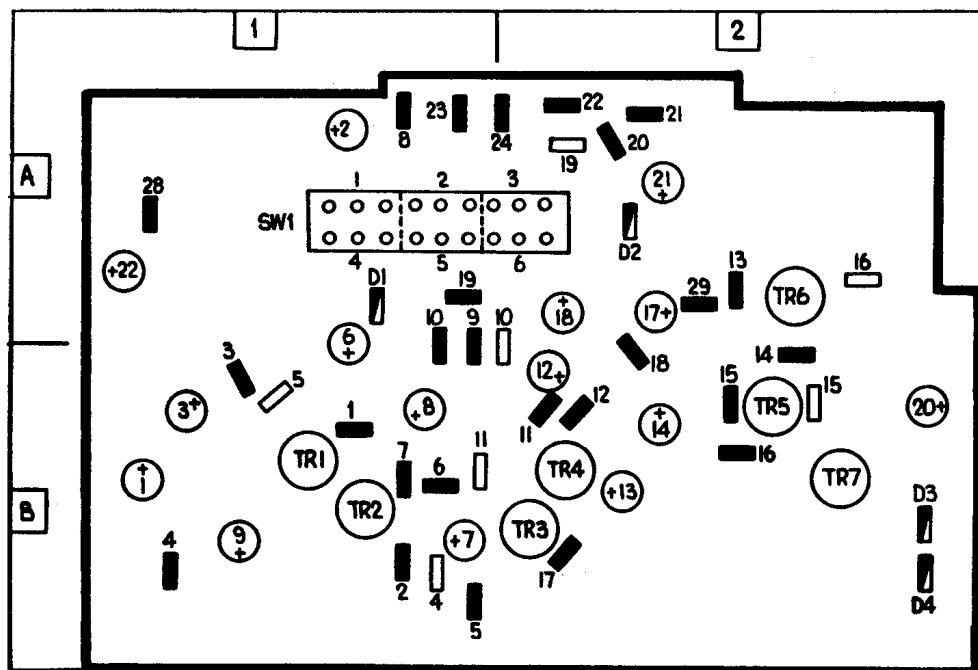
To remove the cabinet base, first take out the batteries, then remove the screw in the battery well and the three screws in recessed holes in the cabinet base moulding. The base may then be removed, the two battery leads being long enough not to need unsoldering.

The printed circuit board can be detached sufficiently for access to the component side by the removal of its two fixing screws, after unsoldering the three leads to the volume control. Note that the socket panel is 'floating' after removing the cabinet base.

When replacing the bottom cover, ensure that the AC input socket moulding and the socket panel moulding locate in the grooves in the bottom cover, otherwise it will not be possible to refit the bottom cover.

This service chart is copyright. It is not to be resold or reproduced, in part or in whole, without permission.

Additional copies of this chart 50p, including postage. Payment with order please to Room CP34, Dorset House, Stamford Street, London SE1 9LU. Because of increasing storage costs, back numbers will also cost 50p including postage from now on.

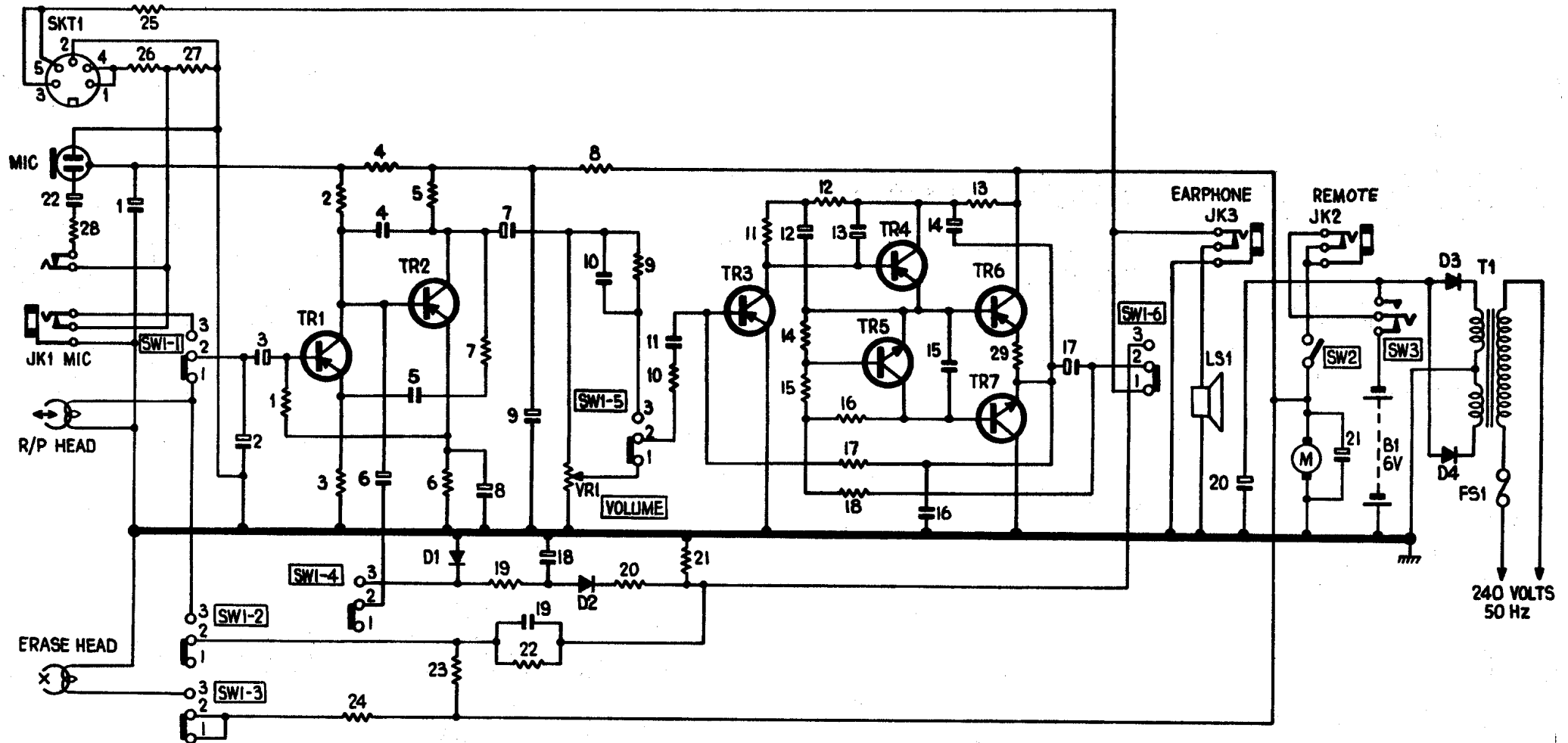


ERT SERVICE CHART

2219

ALBA R29

R	28	25	26	27	1	2	3	24	4	5	6	23	7	19	22	VRI	8	20	9	10	21	11	14	15	12	17	18	13	29
C		1			2	3		4	5	6	8	7	9	10	11			12	13		16	14	15		17			20	21
L																													TI



RESISTORS		R8		R9		R10		R11		R12		R13		R14		R15		R16		R17		R18		R19		R20		R21		R22		R23		R24		R25		R26		R27		R28		R29		VR1																									
R1	62K	B1	R8	1K	A1	R9	100K	A1	R10	2K2	A1	R11	39K	B2	R12	1K	B2	R13	100	A2	R14	20K	B2	R15	1K8	B2	R16	10	B2	R17	2M2	B2	R18	220	B2	R19	10K	A1	R20	820	A2	R21	56	A2	R22	15K	A2	R23	75K	A2	R24	820	A1	R25	47K	—	R26	220K	—	R27	1K	—	R28	3K3	A1	R29	1	A2	VR1	5K	—
R2	15K	B1																																																																					

CAPACITORS		C1		C2		C3		C4		C5		C6		C7		C8		C9		C10		C11		C12		C13		C14		C15		C16		C17		C18		C19		C20		C21		C22																					
C1	47µ 10V	B1	C2	1n	A1	C3	1µ 10V	B1	C4	100p	B1	C5	20n	B1	C6	33µ 10V	A1	C7	500n 10V	B1	C8	10µ 10V	B1	C9	220µ 10V	B1	C10	1n	B1	C11	100n	B2	C12	33µ 10V	B2	C13	100p	B2	C14	47µ 10V	B2	C15	40n	B2	C16	100n	A2	C17	220µ 10V	A2	C18	47µ 10V	A2	C19	4n7	A2	C20	470µ 10V	B2	C21	1000µ 10V	A2	C22	10µ 16V	A1