

ALBA R29 cassette tape recorder



The R29 is a 2-track compact cassette recorder, with d.c. bias and erase, designed for operation from internal batteries or from the a.c. mains. It features automatic recording level, tape-end auto-stop and built-in electret microphone. Sockets are provided for external microphone, remote operation, earphone or external speaker and input/output facilities. Seven transistors and two diodes are used, plus mains rectifier diodes.

Specification figures include: tape speed variation 4.76cm/S $\pm 2\%$; Signal/Noise ratio -30dB (input -65dB); Frequency range 100Hz to 7,500Hz; Wow and flutter less than 0.35%; Audio output 500mW maximum.

Sockets are provided as follows:
J1: 3.5mm jack (External Microphone)

J2: 1.8mm jack (Remote, used with J1)
J3: 3.5mm jack (Earphone or External Speaker); insertion of plug mutes the internal 8 ohms speaker.

SKT1: 5-pin DIN socket. Pins 1/4 and 2—Input; pins 3/5 and 2 (Output).

SKT2: A.C. mains socket. Insertion of plug acutates S3 to disconnect the internal batteries. Mains supply 240V 50Hz.

Internal batteries — 4 \times 1.5V cells of type HP11 or equivalent.

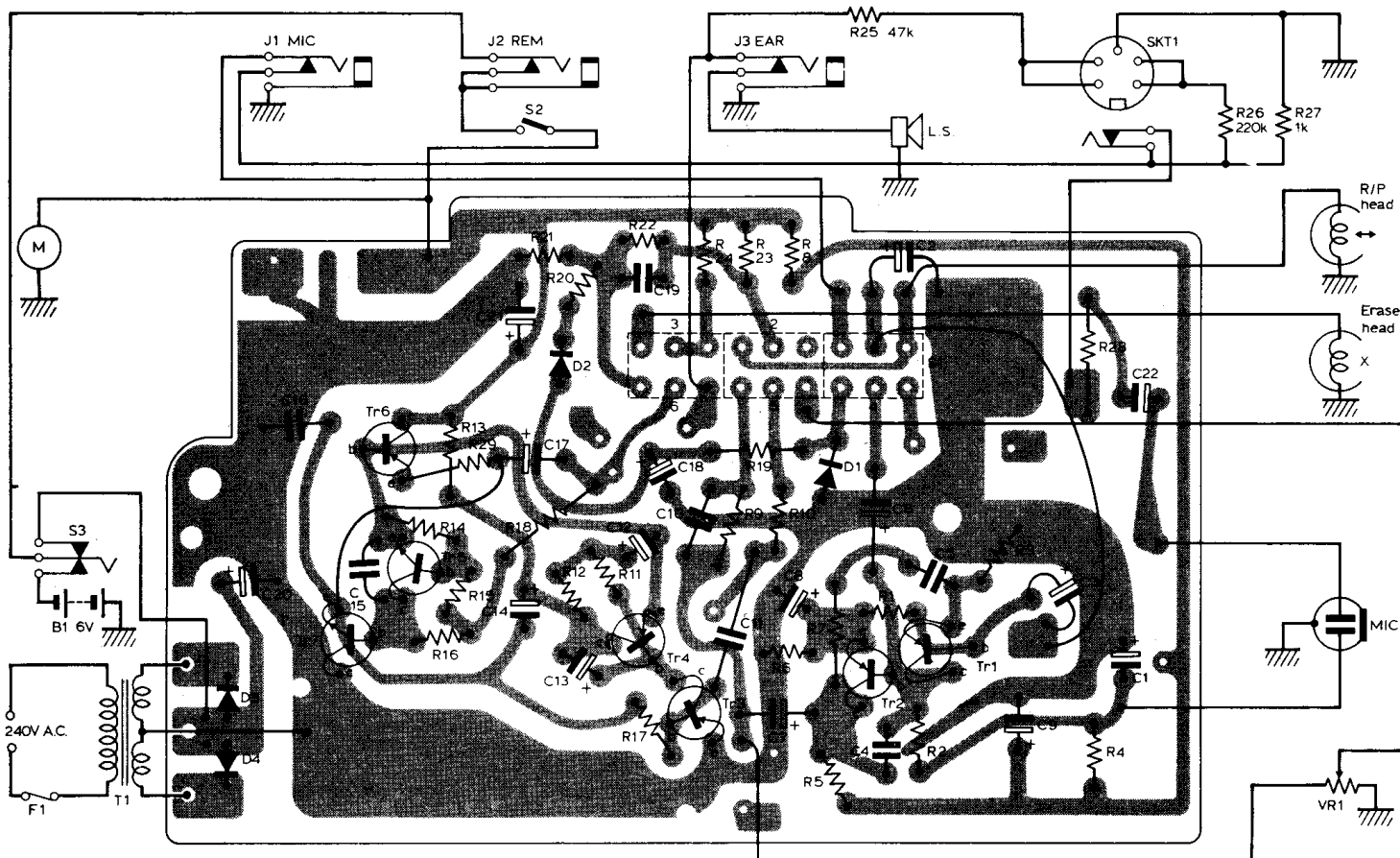
battery well and the three screws in recessed holes in the cabinet base moulding. The base may then be removed, the two battery leads being long enough not to need unsoldering.

The printed circuit board can be detached sufficiently for access to the component side of the board by the removal of its two fixing screws, after unsoldering the three leads to the volume control. Note that the socket panel is "floating" after removing the cabinet base.

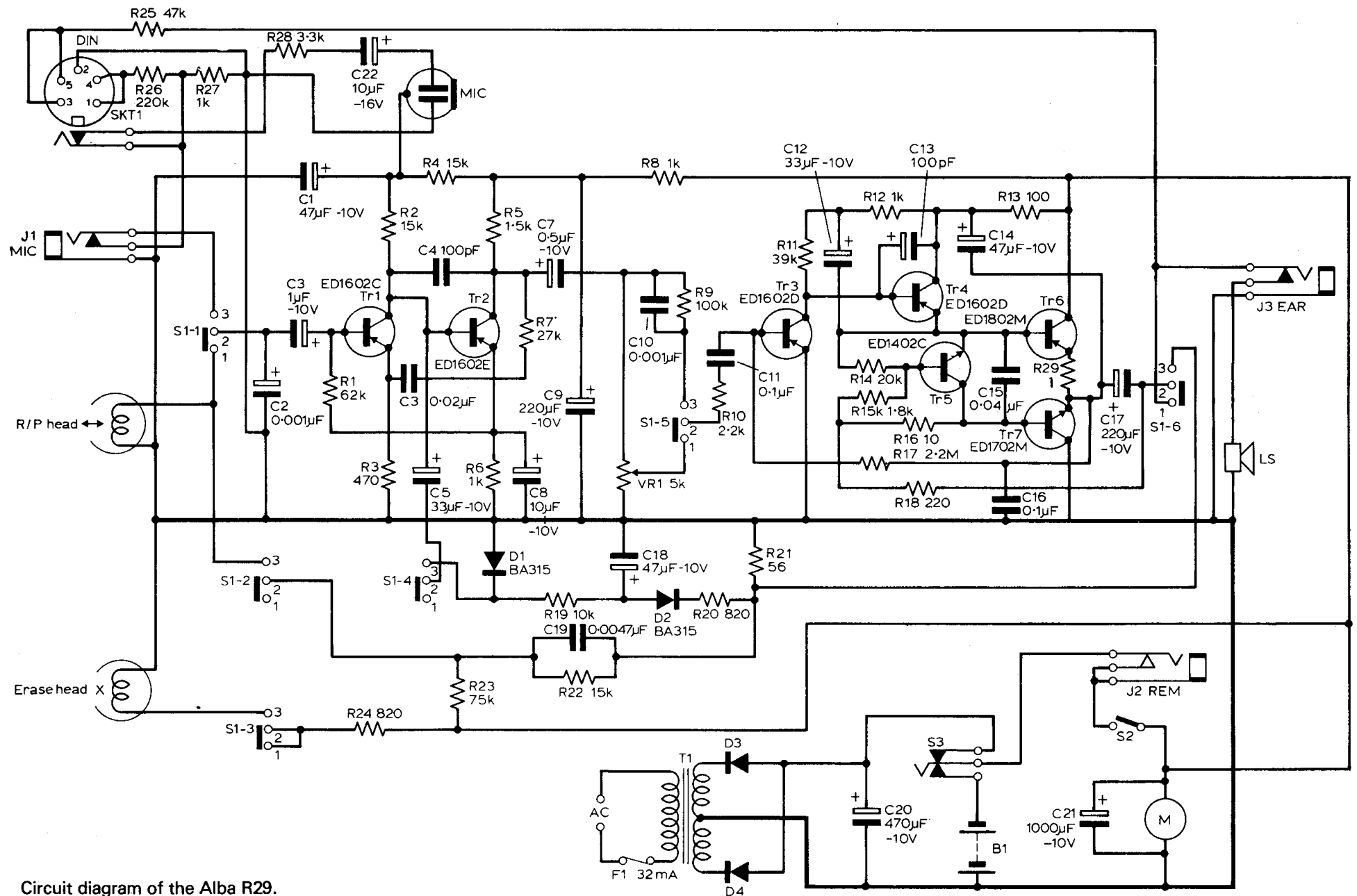
When replacing the bottom cover, ensure that the a.c. input socket moulding and the socket panel moulding locate in the bottom cover, otherwise it will not be possible to refit the bottom cover.

DISMANTLING

To remove the cabinet base, first take out the batteries, then remove the screw in the



The printed circuit board, viewed from the copper side with components shown as seen through the board.



Circuit diagram of the Alba R29.
 The R/P switch S1 is shown in the playback position.