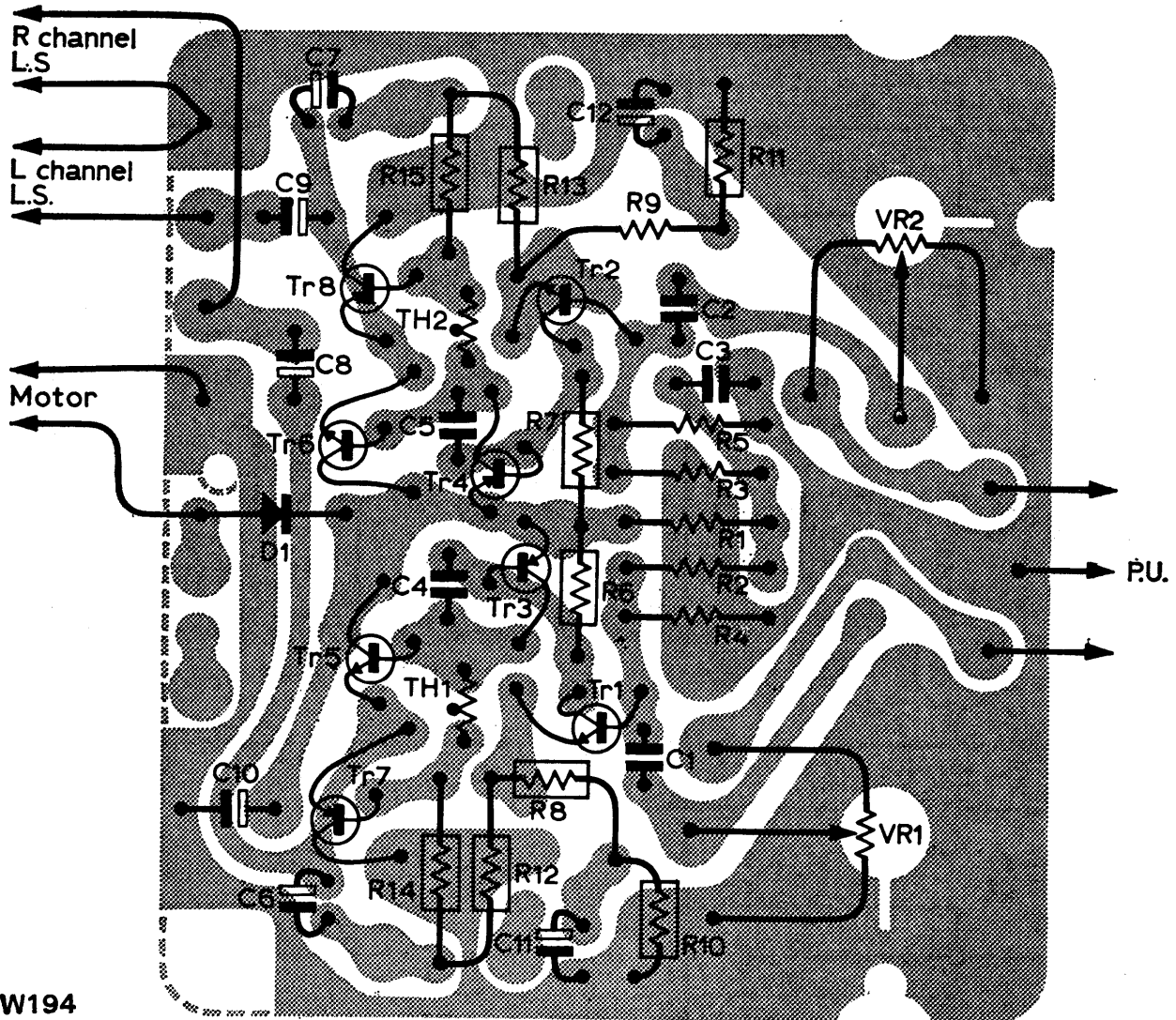


# ALBA

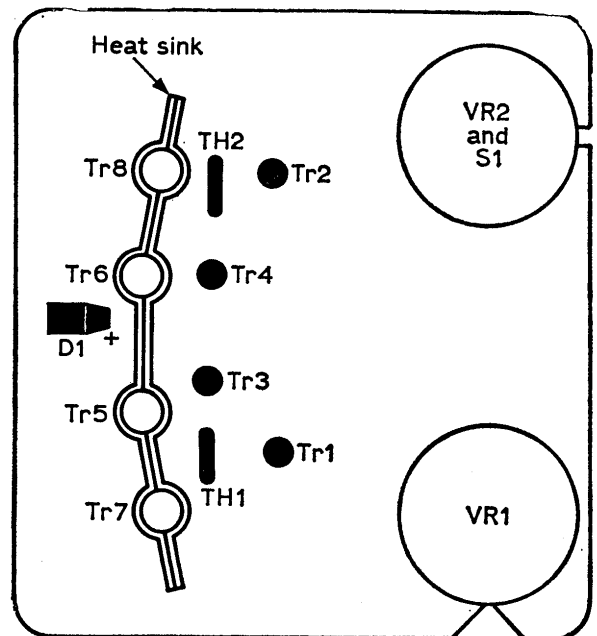
# Model 992

**General Description:** A mains-operated stereo record-player. H.T. supplies are derived from a secondary winding on the turntable motor. The loudspeakers are in separate enclosures and should be connected before the unit is switched on.



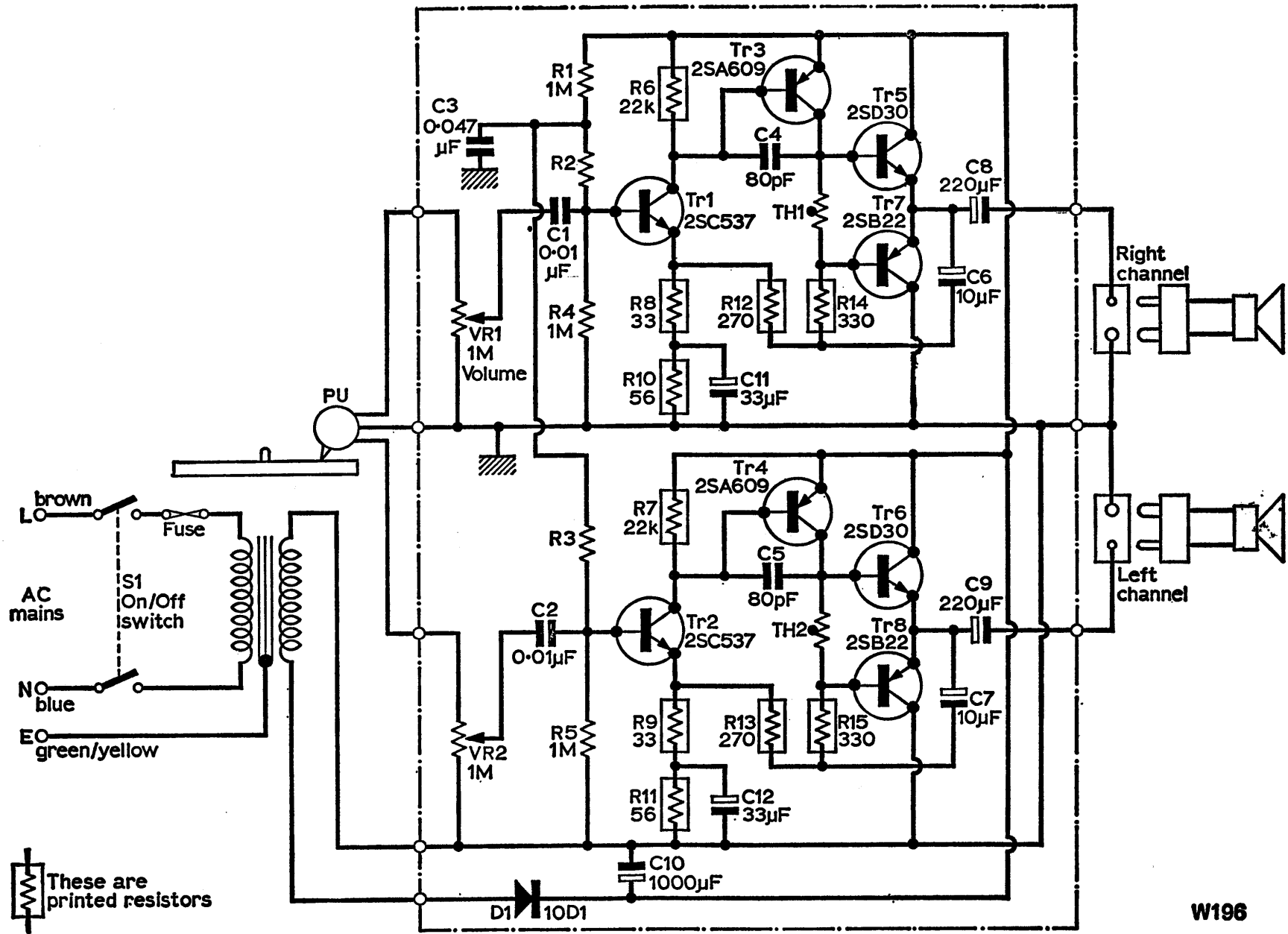
W194

(W194) COMPONENT LAYOUT (MAIN PANEL)—MODEL 992 (Above)



(W195) COMPONENT LAYOUT (OUTPUT STAGES)—MODEL 992 (Right)

W195



422

(W196) CIRCUIT DIAGRAM—MODEL 992

W196

## ALBA

**Mains Supply:** 240 V, 50 Hz.

**Cartridge:** Ceramic type.

**Fuse:** 500 mA.

**Loudspeaker:** 8  $\Omega$  impedance.

**Dismantling:** Secure pick-up arm to its rest (using tape, rubber band, etc.) Pull off turntable and mat. Take out cross-head screw accessible at bottom of large hole in turntable well.

Invert case. Remove fixing screw securing base to case top. The two units may then be separated, providing access to the motor assembly and the component side of the printed circuit board.

To obtain access to the copper side of the printed circuit board, pull off the volume control knobs, then remove the two hexagon locking nuts securing the potentiometers to the casing. The printed circuit board may then be freed from the casing.

**Circuit Note:** R<sub>2</sub> and R<sub>3</sub> may be 3.3 M $\Omega$ , 3.9 M $\Omega$  or 1.8  $\Omega$  according to the variety of 2SA609 and 2SC537 used.