

ALBA

# Chassis Type RP5, Models 336, 338, 436 and 439

**General Description:** A four-transistor portable mono record-player, operating from 200/250 volt, 50Hz mains supplies and incorporating a B.S.R. four-speed record-player unit.

**Note:** Although the RP5 chassis has been in production for some considerable time, new presentations are currently available thus accounting for the inclusion of this series of models in this volume for the first time.

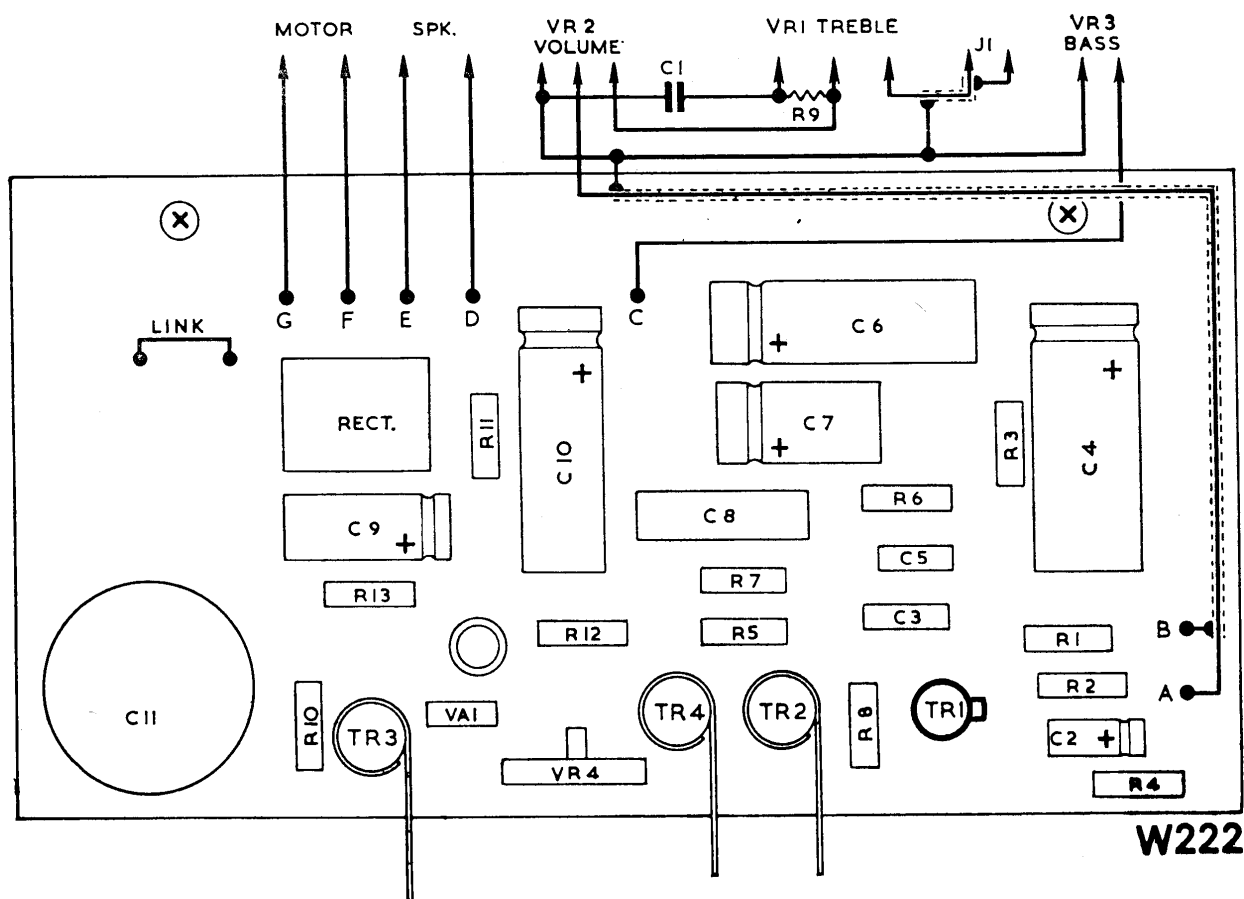
**Dismantling:** Pull off knobs. Remove loudspeaker cover and motor board, held by four screws. Remove the two 4BA securing nuts and lift out chassis.

**Adjustment:** Set VR4 for minimum cross-over distortion with the collector current of TR4 not greater than 10mA.

**Sensitivity** for 3.5 Vrms. at 1 kHz across 12Ω res. load (1 watt), with pu. disc. and generator applied via 1000pF. VR2 at max. and with VR1 and VR3 at min. 490mV. VR1 and VR3 at max. 200mV.

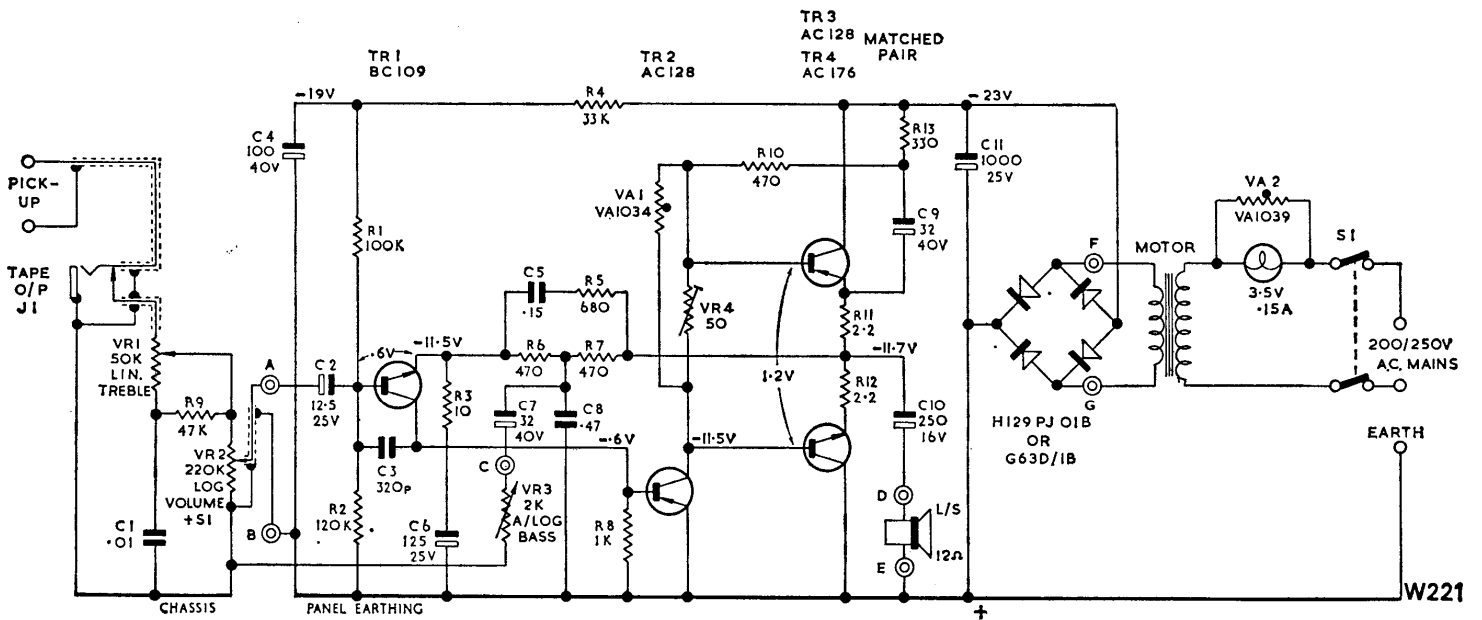
## Circuit Diagram Notes

Resistors  $\pm 10$  per cent except R1, 2,  $\pm 5$  per cent. R9, 11 and 12.  $\pm 20$  per cent. Voltages taken with AVO 8. 240V mains. No signal input. On later models C2 is  $-22\mu\text{F}$ .



(W222) COMPONENT LAYOUT—RP5 CHASSIS

# ALBA



(W221) CIRCUIT DIAGRAM—RP5 CHASSIS, etc.