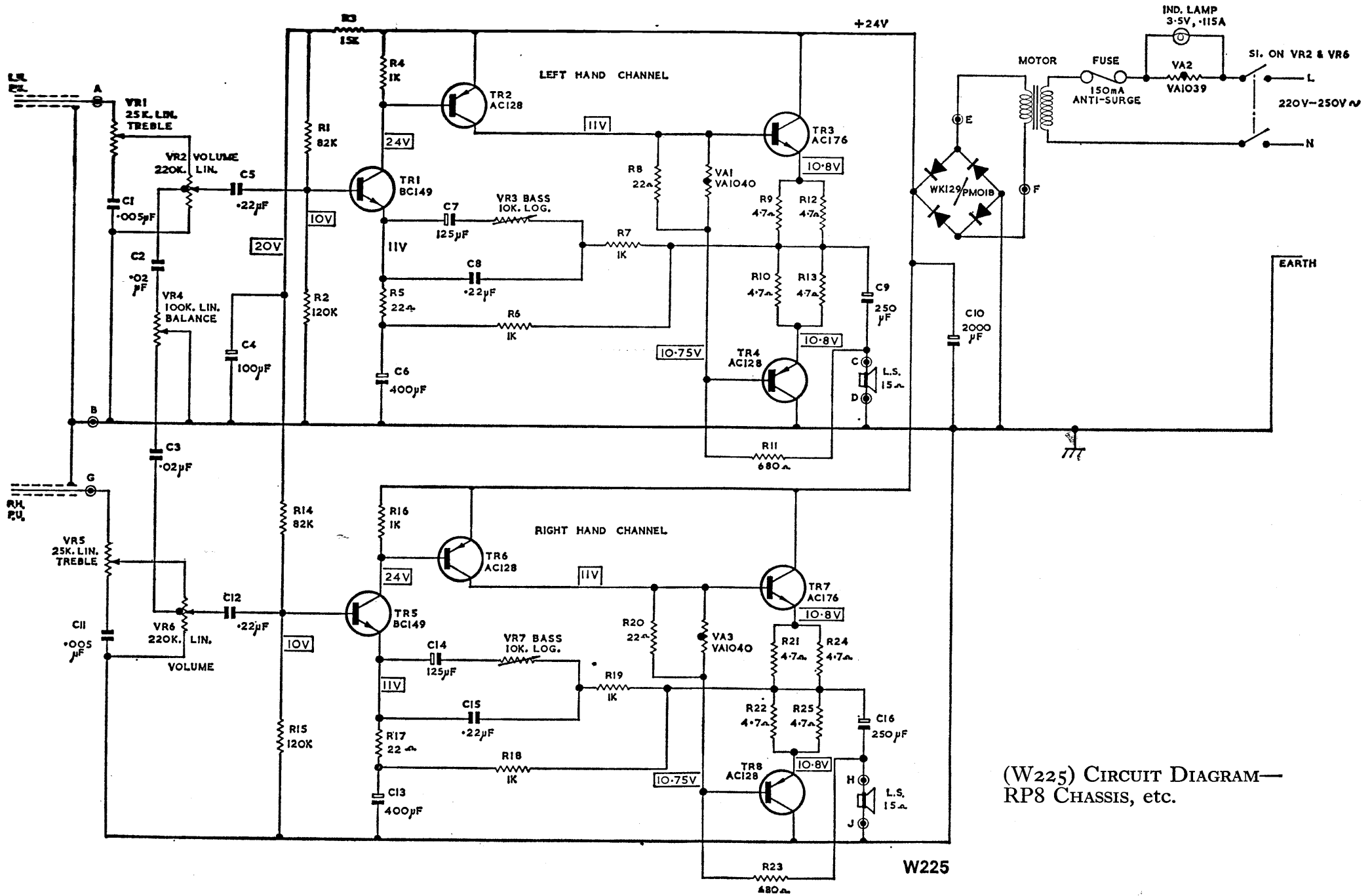


ALBA

**Chassis Type RP8, Models 442
452 and 462**

General Description: An eight-transistor stereo record-player for use on A.C. mains, incorporating a B.S.R. four-speed auto-changer unit. Bass and treble controls are fitted.

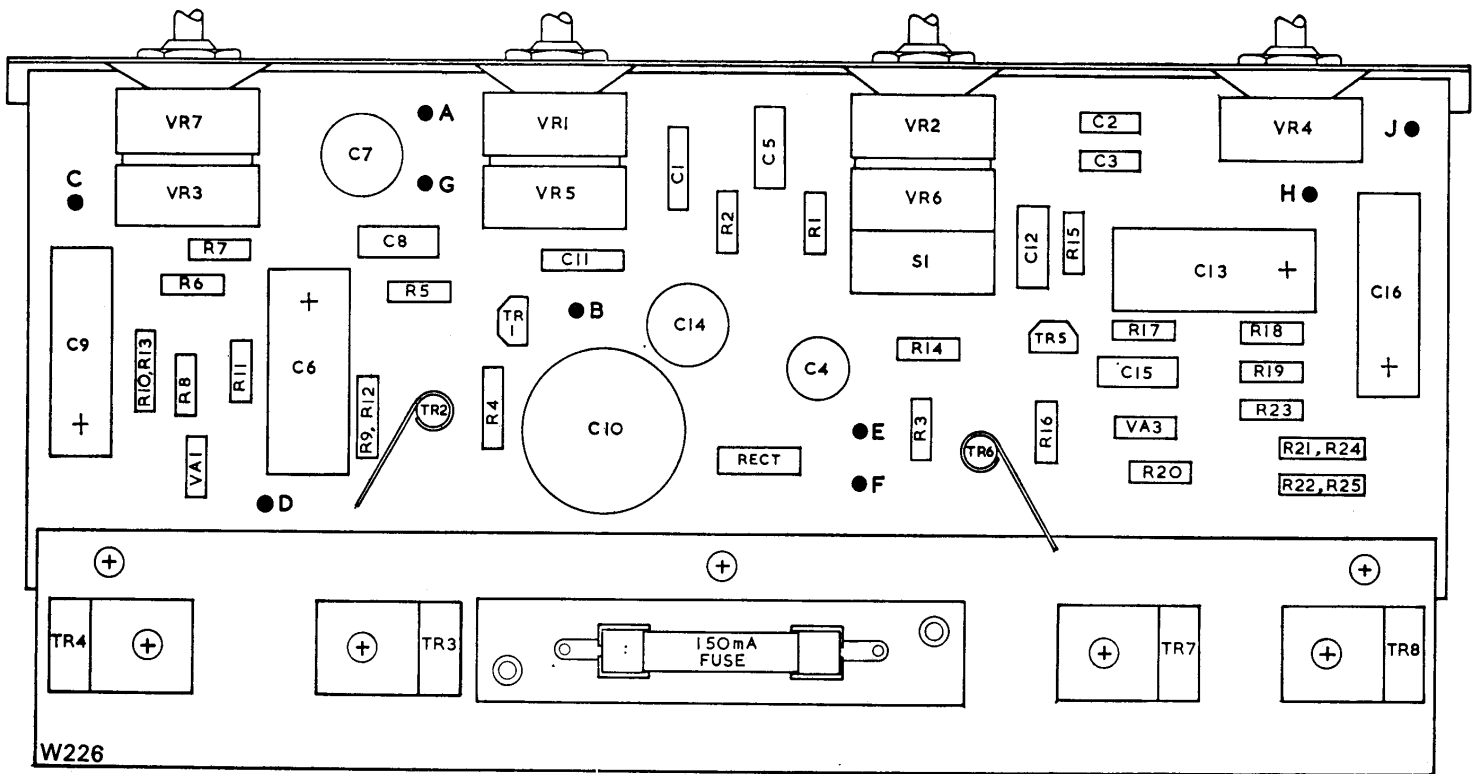


(W225) CIRCUIT DIAGRAM—
RP8 CHASSIS, etc.

387

ALBA

RADIO SERVICING



(W226) COMPONENT LAYOUT—RP8 CHASSIS, etc.

Mains Supplies: 220–250 volts, 50 Hz.

Fuse: 150mA, anti-surge type.

Loudspeakers: 15 ohms impedance.

No adjustments are necessary to set up the working points of the output transistors.

Circuit Diagram Notes

Resistors ± 10 per cent except, R₉, R₁₀, R₁₂, R₁₃, R₂₁, R₂₂, R₂₄, R₁, R₂, R₁₄, R₁₅ and R₂₅ ± 50 per cent. Voltages measured under no signal conditions with a 20 K Ω /v meter.