

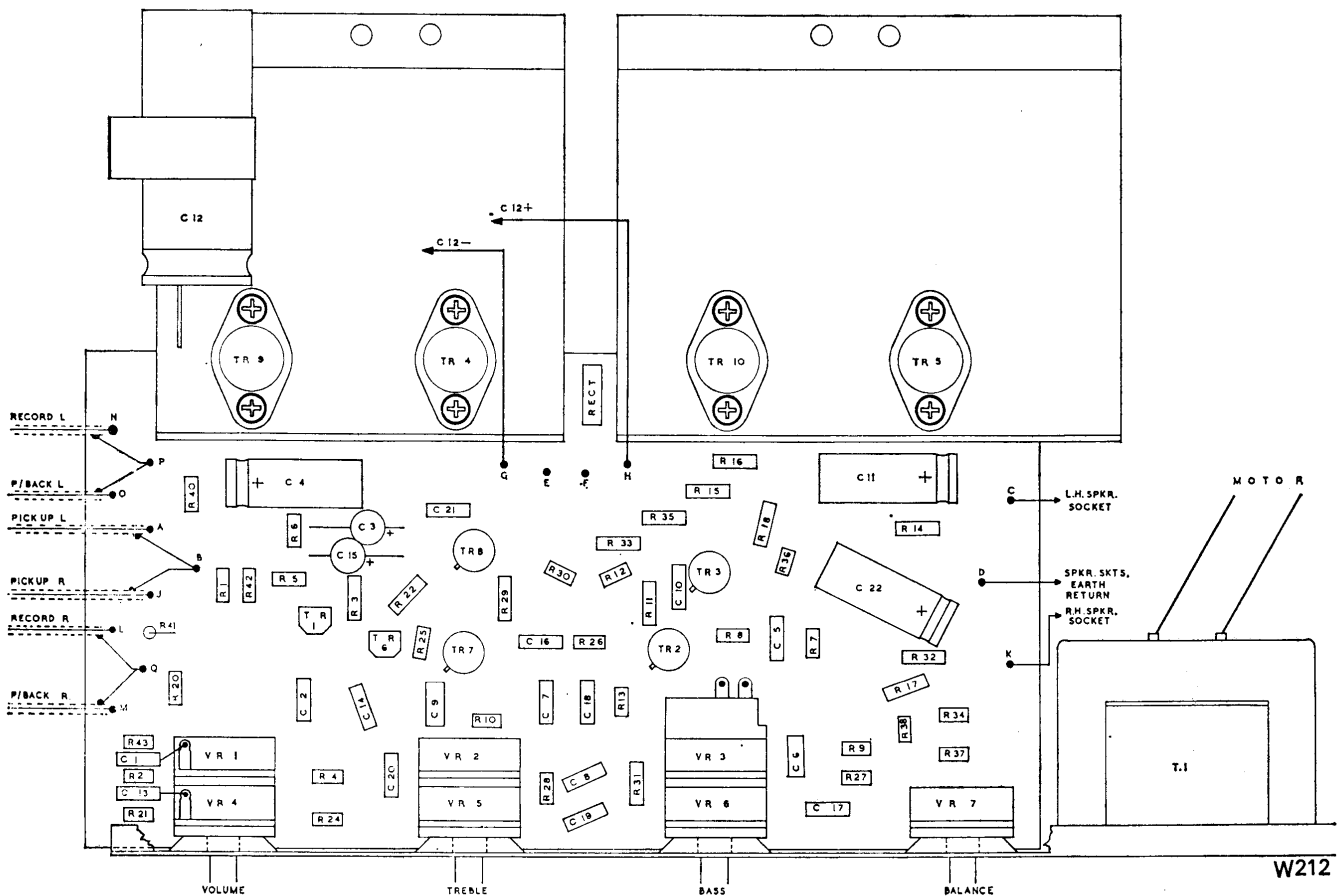
ALBA

Chassis Types RP9, RP10, Models 552 and 662

General Description: This series of models incorporate electrically similar chassis with only minor circuit differences. The circuit and layout for chassis Type RP10 is given as general guidance for all models in this series. Ten transistors are used to provide stereo operation into two wide-range loudspeaker systems housed in separate cabinets. The unit operates from 220–250 volts, 50 Hz mains supplies and a 150 mA. anti-surge fuse is fitted.

Dismantling

Removing Turntable (All Models): Withdraw record spindle and carefully take out centre disc from turntable mat; then remove turntable retaining clip and lift off turntable.



(W212) COMPONENT LAYOUT—RP10 CHASSIS, etc.

Removing Changer Unit (Model 662): Remove fuse cover from bottom of cabinet (held by three plastic screws).

Screw down fully the two changer mounting screws.

Through the hole by the fuse holder and the other diagonally opposite; flip up changer retainers so that they lie parallel with their screws. The changer can now be lifted clear of the cabinet to the extent of its connecting leads.

To remove completely: unsolder pick-up leads from unit, and motor switch leads from amplifier mains transformer.

Removing Chassis (Model 662): Pull off four control knobs.

Remove three 4 B.A. nuts and S/P washers, holding front of chassis to front of cabinet, and two 4 B.A. nuts and washers, holding rear of chassis to bottom of cabinet.

Remove rear sockets' panel by unscrewing two No. 6 \times $\frac{3}{4}$ -in. screws from back of cabinet.

Unclamp mains lead by removing one No. 6 \times 1-in. screw, immediately above it, from back of cabinet.

The chassis, together with its mains lead and rear sockets' panel, can now be lifted clear of the cabinet.

Removing Loudspeakers (All Models): Remove backs of loudspeaker cabinets (held by No. 6 \times 1-in. woodscrews). Both bass speaker and tweeter are each held to front of the cabinet by four 4 B.A. nuts and S/P washers.

Removing Changer Unit (Model 552): Remove four $\frac{1}{4}$ -in. mounting screws and plastic washers from the rubber bushes in the changer unit plate.

The changer can now be lifted clear of the cabinet to the extent of its connecting leads.

To remove completely; unsolder pick-up leads from unit, and motor switch leads from amplifier mains transformer. When replacing, ensure motor leads lie clear of amplifier input.

Removing Mains Transformer (Model 552): Remove four No. 6 × 1¼-in. self tapping screws holding transformer mounting to rear cabinet runners.

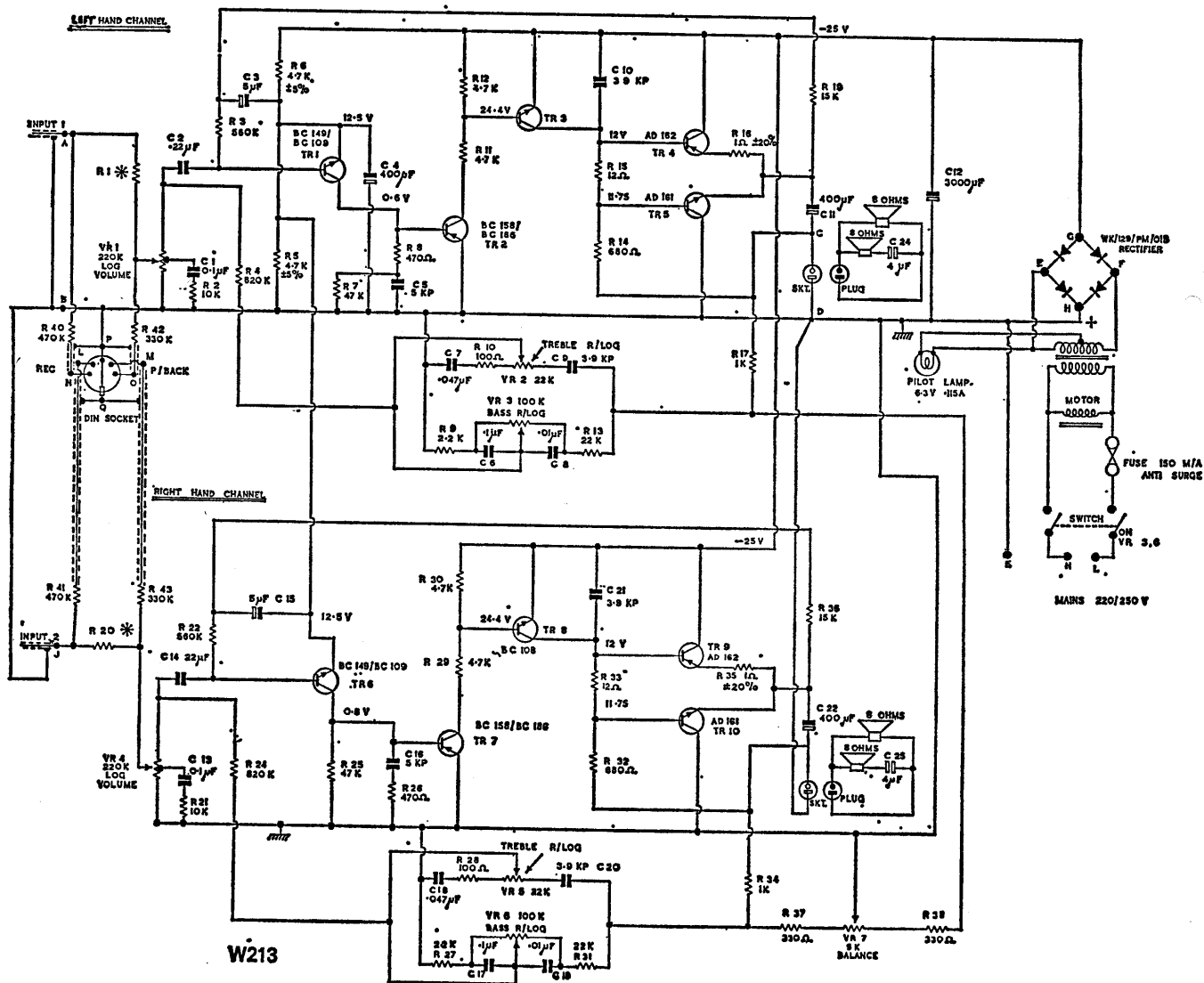
Removing Chassis (Model 552): Pull four control knobs off their respective spindles.

Remove two 4 B.A. nuts and S/P washers that hold panel control bracket to front of cabinet. Undo one No. 6 × 1-in. self tapping screw from back of cabinet to release the mains lead clamp. Then remove one No. 4 × ⅜-in. woodscrew (adjacent to fuse holder) that holds the chassis to the bottom of the cabinet. The chassis, together with the mains transformer, can now be removed to the extent of the leads to the speaker sockets' panel.

Circuit Diagram Notes

All resistors 10 per cent unless stated voltages relative to + rail.

* R1 and R20 = 1.5M for crystal cartridge
= 1.0M for ceramic cartridge.



(W213) CIRCUIT DIAGRAM—RP10 CHASSIS, etc.