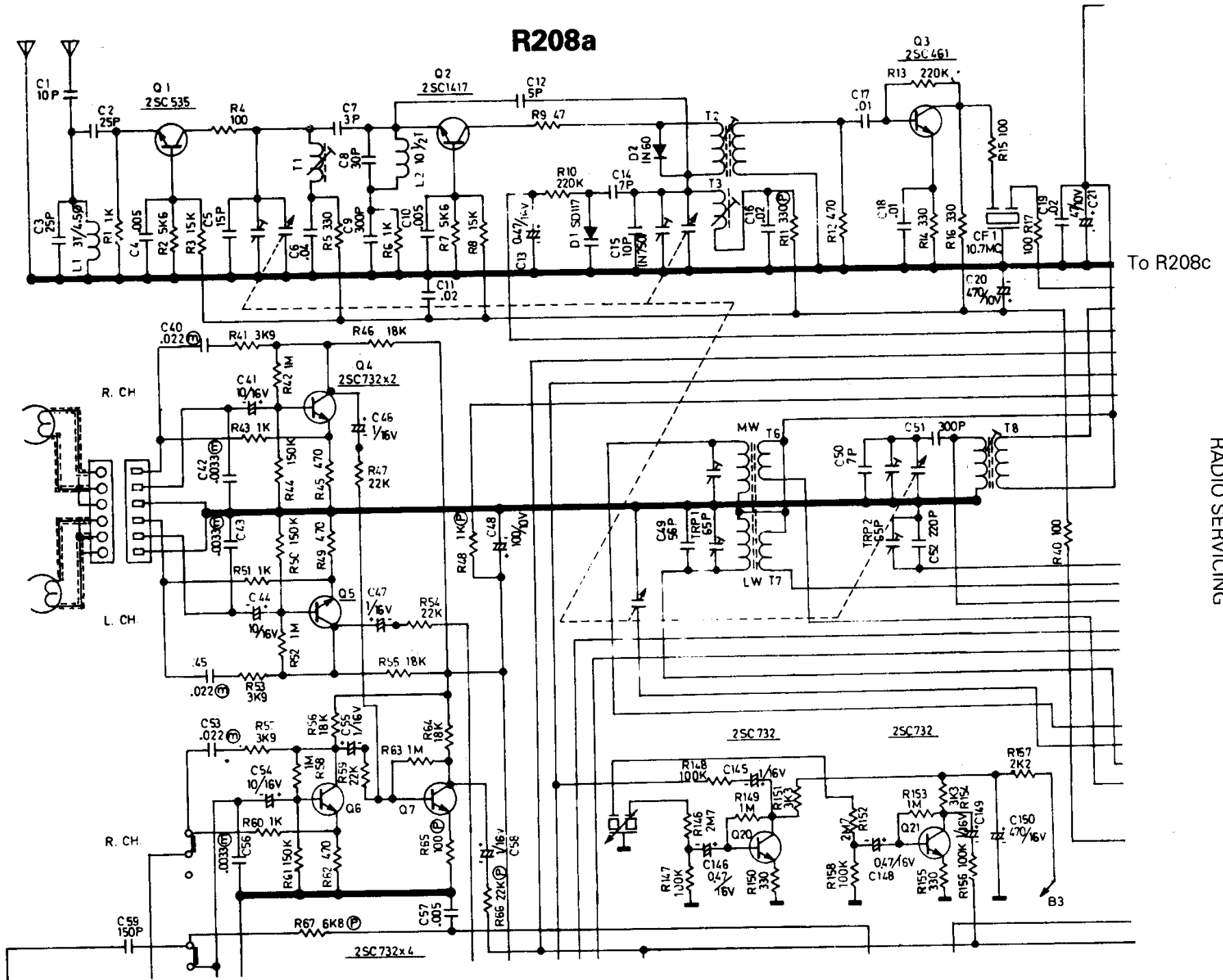


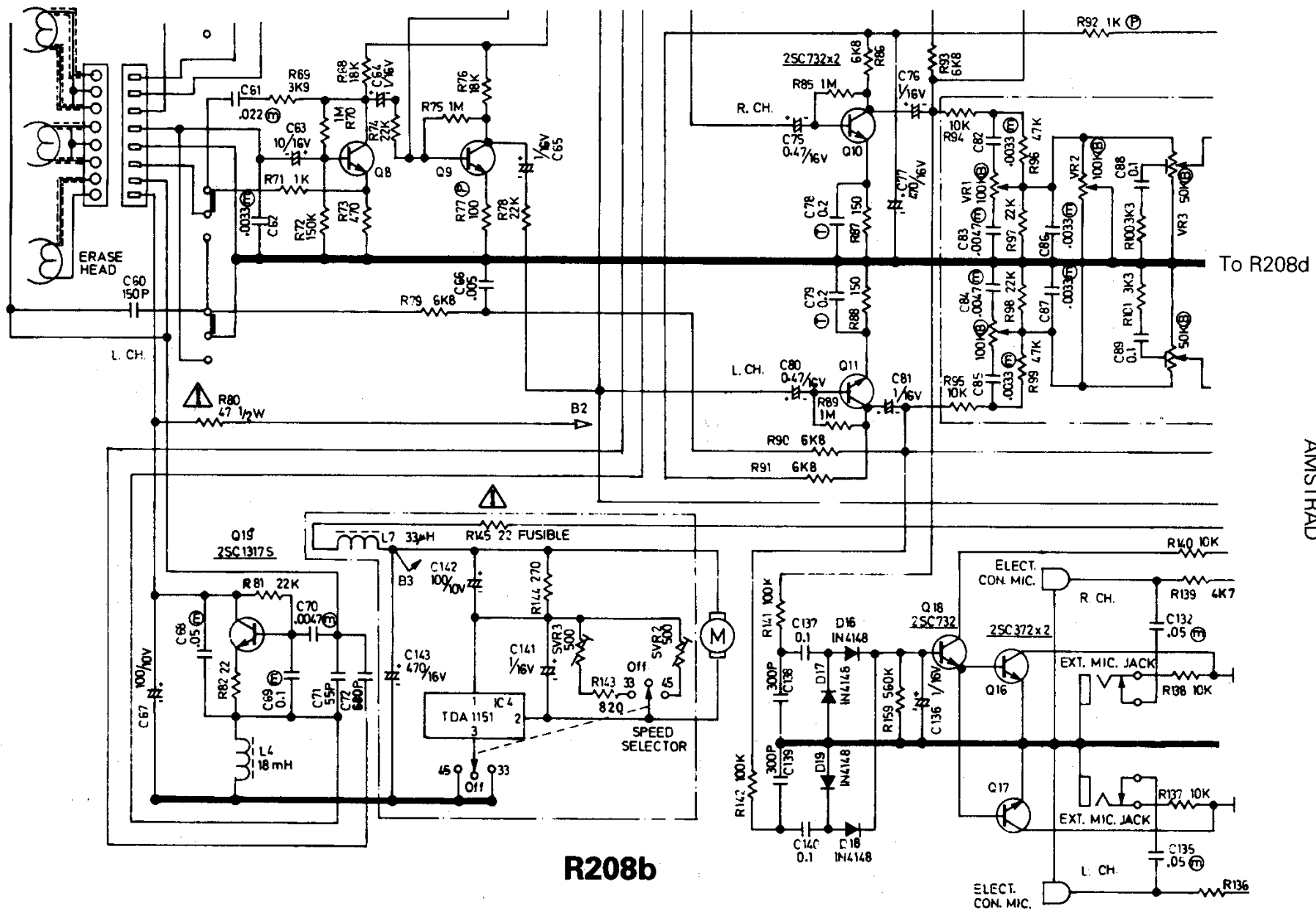
**General Description:** An A.M./F.M. stereo radio incorporating a stereo cassette-recorder and record-player operating from mains or battery supplies. Integrated circuits are used in the I.F. decoder, power amplifier, and motor control stages. Sockets are provided for the connection of separate loud-speaker units, headphones, microphones, and power supply. Direct recording is possible by built-in electret condenser microphones.

**Mains Supply:** 240 volts, 50Hz.

**Batteries:** 12 volts.

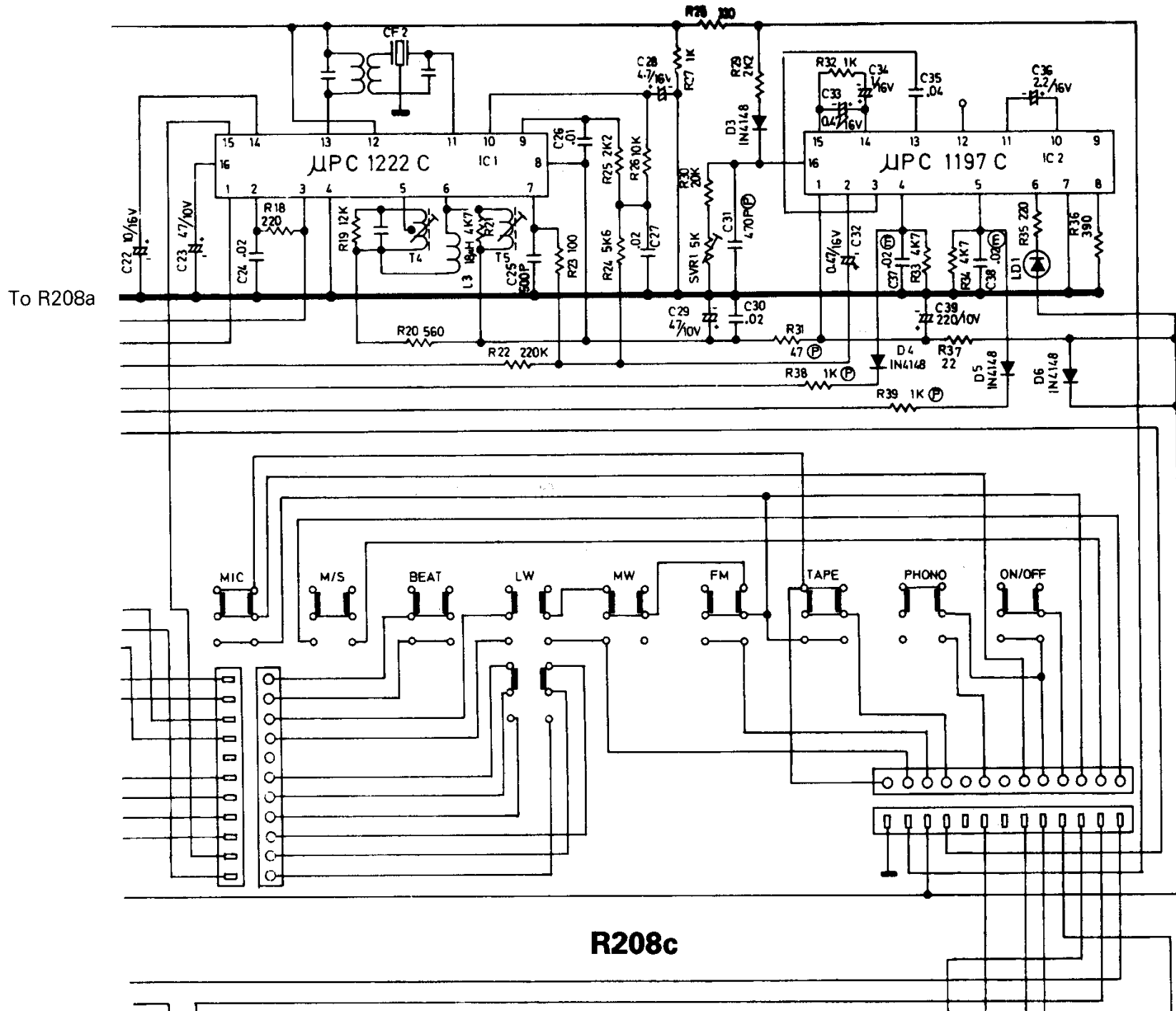


(R208a) CIRCUIT DIAGRAM—MODEL 8060 (PART)



AMSTRAD

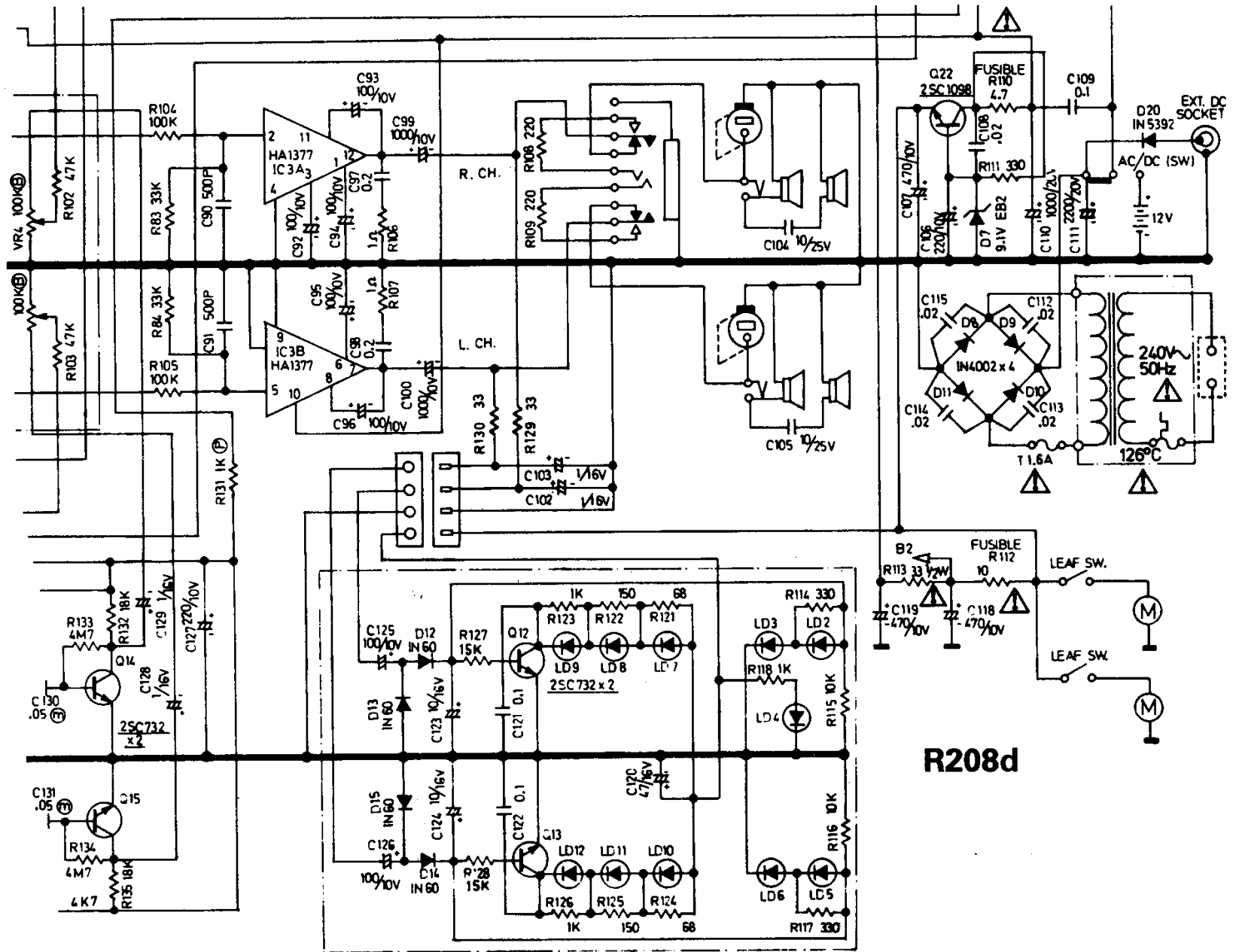
(R208b) CIRCUIT DIAGRAM—MODEL 8060 (PART)



**R208c**

(R208c) CIRCUIT DIAGRAM—MODEL 8060 (PART)

To R208b



AMSTRAD

R208d

(R208d) CIRCUIT DIAGRAM—MODEL 8060 (CONTINUED)