

MECHANICAL DETAILS

Removing the Chassis and Control Panel. First disconnect the player from the main supply. Unfasten the L.H. lid stay and detach the speaker box. Loosen and remove the four brass-headed screws and lift the Panel out from the front end.

Removing the Record Changer. First remove the Chassis and Control Panel as described in the paragraph above, and disconnect the plug/socket connections from the changer unit. Then unfasten the R.H. lid stay and detach the R.H. speaker box. Loosen and remove the six brass-headed screws, and lift out, entire motor board.

When replacing the motor board, notice the two screws which secure the front edge of the board. They are wood screws. The remaining four screws are intended for use with the Spire clips fitted to the cabinet.

Stylus replacement. Use the correct replacement types: 78-TC8 G, coloured green and LP-TC8RS coloured red. Do not remove the screw which retains each stylus, when changing. One turn is sufficient to enable the stylus to be withdrawn.

REPLACEMENTS PARTS LIST

Note: When ordering replacements, use only the 'Part No.'
DO NOT USE THE REFERENCE SYMBOL

Ref. No.	Value	Description	Part No.
R1	12K ± 10%	Smoothing.....	3A3-1106
R2a	4.7K ± 10%	Feedback.....	3A3-1005
R2b	4.7K ± 10%	Feedback.....	3A3-1005
R3a	220K ± 20%	Penult anode load.....	3A3-1091
R3b	220K ± 20%	Penult anode load.....	3A3-1091
R4a	1.8K ± 10%	Penult bias.....	3A3-1147
R5a	18K ± 10%	Feedback.....	3A3-1347
R5b	18K ± 10%	Feedback.....	3A3-1347
R6a	10K ± 20%	Anode comp.....	3A3-1032
R6b	10K ± 20%	Anode comp.....	3A3-1032
R7a	150 ohm ± 10%	Output bias.....	3A3-1006
R7b	150 ohm ± 10%	Output bias.....	3A3-1006
R8	120 ohm ± 10%	Rectifier limiter.....	3A3-1446
R9a	330K ± 20%	High pot. isolator.....	3A3-1100
R9b	330K ± 20%	High pot. isolator.....	3A3-1100
R10	82 ohm ± 10%	Output comp bias.....	3A3-1019
C1a	50 uF 6v.	Penult and output cathodes.....	3A7-2127
C2a	.01	Grid coupling.....	3A0-1108
C2b	.01	Grid coupling.....	3A0-1108
C3a	40 pf ± 10%	Treble control.....	3A0-1300/1
C3b	40 pf ± 10%	Treble control.....	3A0-1300/1
C4a	.01 ± 20%	Bass comp.....	3A0-4093
C4b	.01 ± 20%	Bass comp.....	3A0-4093
C5a	2200 pf ± 20%	Anode comp.....	3A0-1339/1
C5b	2200 pf ± 20%	Anode comp.....	3A0-1339/1
C6	30 ± 40uF 275v. WKG	Reservoir smoothing.....	3A0-2119
C7a	75 pf ± 20%	Volume comp.....	3A0-1316
C7b	75 pf ± 20%	Volume comp.....	3A0-1316
C8	.01	Low pot. isolator.....	3A0-1395
C9	.005	Unit plate isolator.....	3A0-1451
VR1a	1M log }	Dual unmatched volume.....	3A3-5052/4
VR1b	1M log }		
VR2a	500K lin. }		
VR2b	500K lin. }		
V1	Valve UCL83		3A4-2283
V2	Valve UCL83		3A4-2283
MRI	Rectifier C.D.2		3A4-6020
T1a	Transformer output		3A2-7169
T1b	Transformer output		3A2-7169
		Dual unmatched treble.....	3A3-5078/6

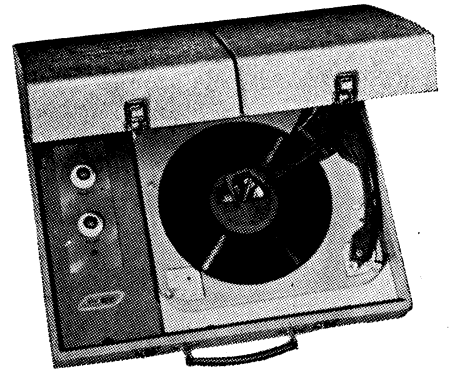
Miscellaneous

Cabinet—covered.....	1A-0136
Speaker 8" x 5" (2).....	3A6-1112
Muslin bag (for speakers).....	2A67-1102
B.R.C. emblem.....	Y.16239
Handle complete.....	2A7-4563
Scale.....	2A7-4556
Pilot lamp 12v. O.I A Mes.....	3A4-9020
Pilot indicator.....	2A7-4170/1
Knob dual.....	2A7-4330/4
Knob clip for above.....	2A8-8051
Knob inner.....	2A7-4328/4
Knob clip for above.....	2A8-8147
Knob outer.....	2A7/4329/4
Record changer B.S.R. UA14.....	3A5/1043
Screws (8) Motor Board & Panel Fixing.....	1AW-1343
Cup Washers (10) Motor Board & Panel Fixing.....	3AW-1109
Wood Screws (2) Motor Board & Panel Fixing.....	1AW-3067

BRC

AUTOMATIC STEREOPHONIC RECORD PLAYER

2016



SPECIFICATION

Mains Supply: 200-250 Volts, 50 cps AC mains.

Power Consumption: Approximately 40 Watts at 240 V.

Valves: Two UCL83 triode pentodes.

Output Power: Approximately 1½ watts per channel.

Record Changer: BSR type UA14 four speed automatic record-changer with turnover crystal pick-up, type TC8S.

Loudspeaker: 8" x 5" elliptical (2).

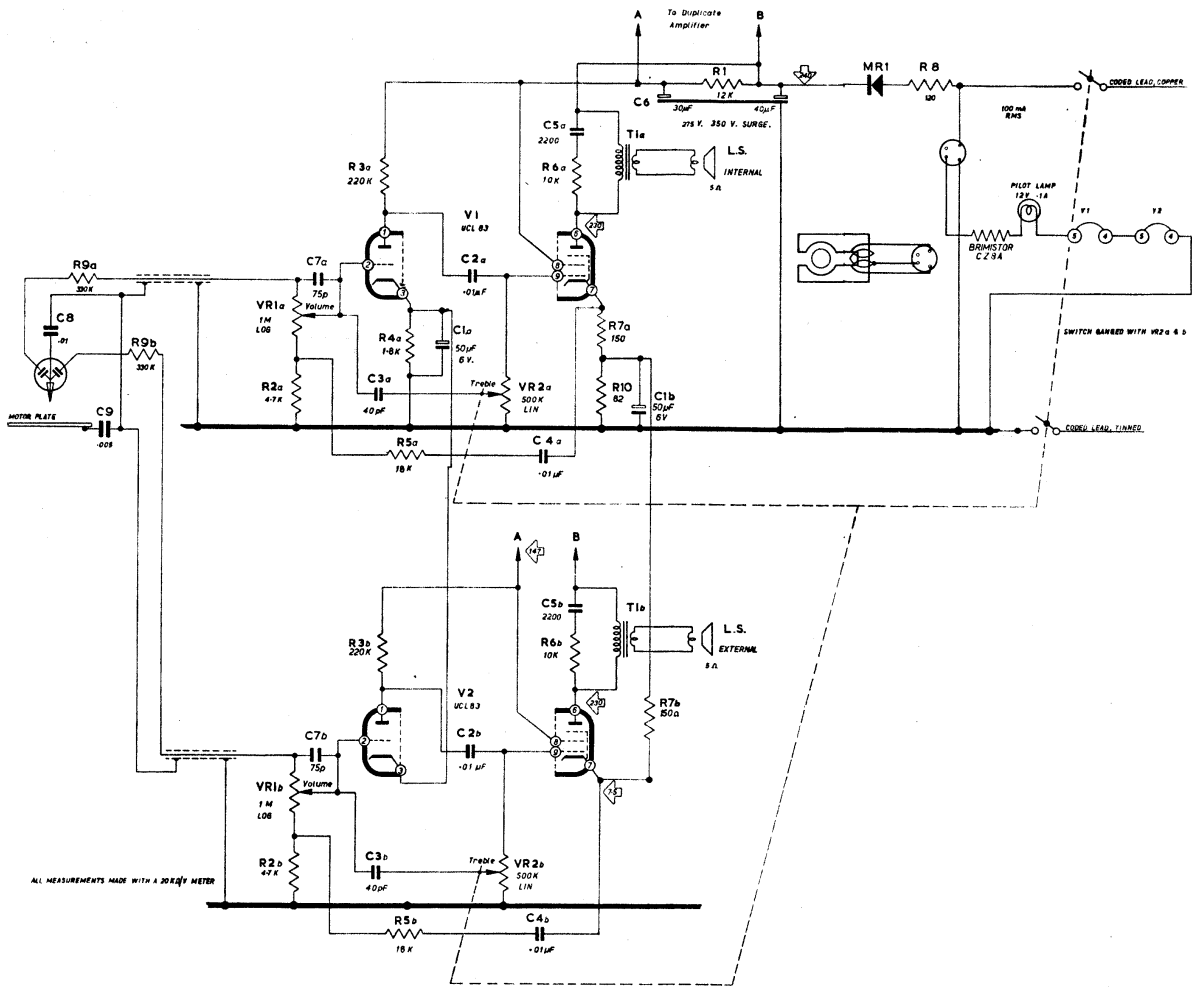
Pilot Lamp: 12V 0.1A MES.

Case: 20½" wide x 15" deep x 8½" high.

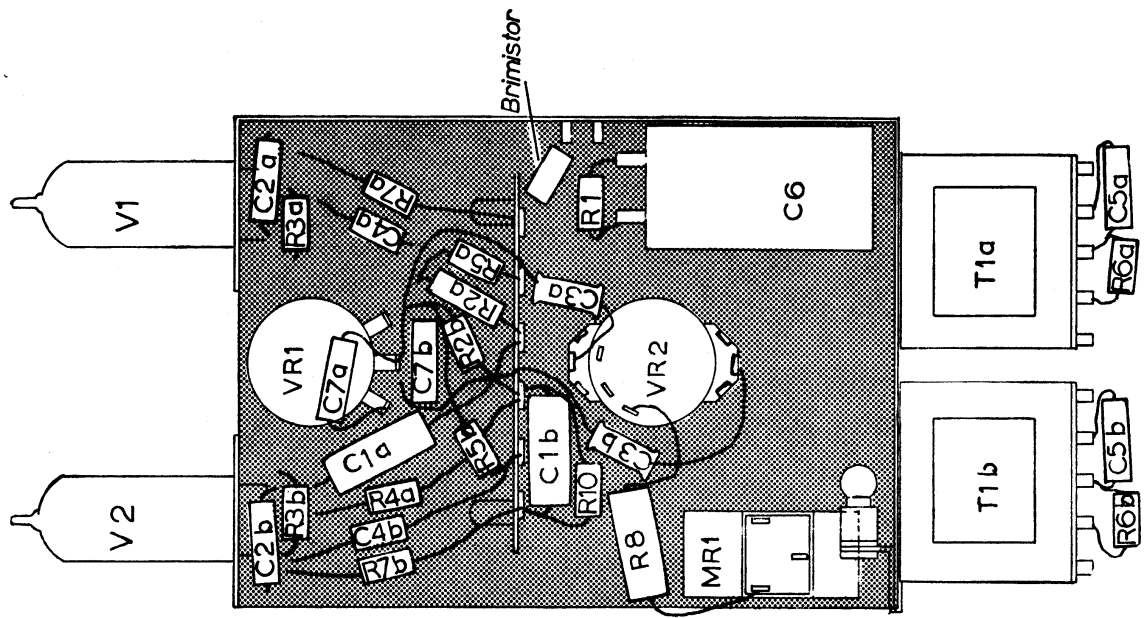


SERVICE DATA.

9d.



Circuit Diagram



Under Chassis Layout viewed from Components Side

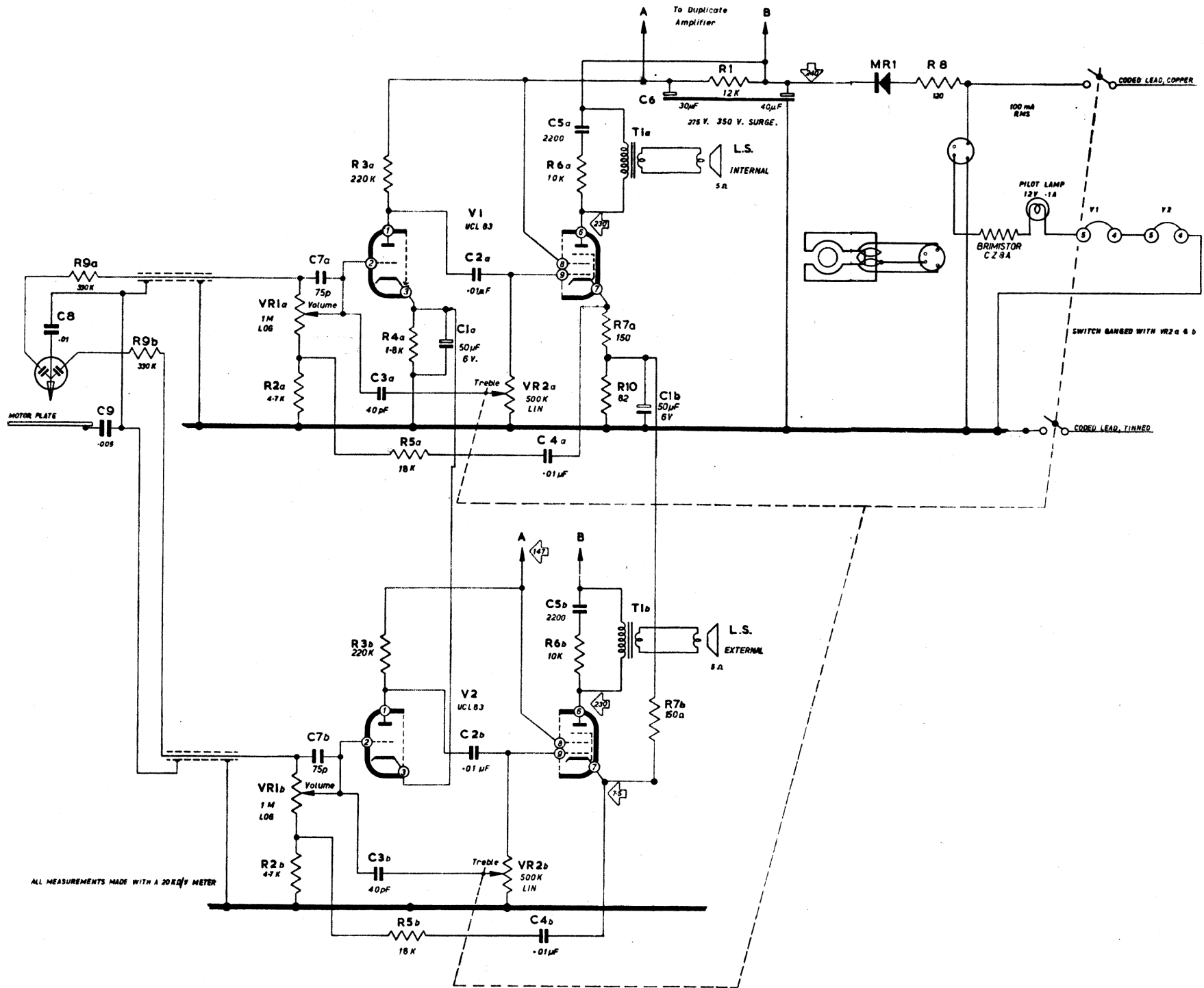
The manufacturers reserve the right to vary specifications or use alternative materials as may be deemed necessary or desirable at any time

BRITISH RADIO CORPORATION LIMITED (SERVICE DIVISION)

SERVICE DEPOTS:

LONDON: Eley's Estate, Angel Road, N.18 - Edmonton 3060
 BIRMINGHAM : 24 Sheepcote Street, 15 - Midland 5291

MANCHESTER: Derby Street, Cheetham 8 - Deansgate 8484
 GLASGOW : 160-162 Battlefield Rd., S.2 - Langside 9251



ALL MEASUREMENTS MADE WITH A 20 KΩ METER

Circuit Diagram