

SERVICE NOTES

Access for Service (both units). Unplug unit from mains then remove two screws securing cover. To gain access to component side of printed board, take out two countersunk screws securing metal bracket to base moulding and also screw and washer securing printed board to base moulding.

The power supply unit is to a large extent self-protecting and a short-circuit of the output voltage will not cause any damage provided it is of short duration. If the unit is not to be used for a considerable time it should be disconnected from the mains supply.

Voltage Adjustment. The stabilized voltage required is initially set by the potentiometer R6 during manufacture, and normally no further adjustment is required unless components in the stabilizer are replaced.

COMPONENT DETAILS

(Applicable to both units except where indicated otherwise)

When ordering replacement capacitors and resistors for which no part numbers are given, please quote unit number and component details as stated below.

CAPACITORS

| REF | DESCRIPTION & PART NO. |
|-----|---|
| C1 | 1000 μ F, Elec., 40V, Supply reservoir, 00E0-230/25 |
| C2 | 0.01 μ F, -20+80%, 50V, VT1 collector decoupling |
| C3 | 0.01 μ F, -20+80%, 50V, VT3 base decoupling |
| C4 | 0.01 μ F, -20+80%, 50V, Pulse limiter |
| C5 | 0.01 μ F, -20+80%, 50V, Pulse limiter |
| C6* | 0.01 μ F, -20+80%, 50V, Pulse limiter |
| C7* | 0.01 μ F, -20+80%, 50V, Pulse limiter |

*Not fitted in TA35.

RESISTORS—TA35

| REF | DESCRIPTION & PART NO. |
|-----|--|
| R1 | 1k Ω , 10%, 1/4W, VT2 bias |
| R2 | 3.3k Ω , 10%, 1/4W, VT1 & VT4 collector load |
| R3 | 330 Ω , 10%, 1/4W, VT1 bias |
| R4 | 5.6 Ω , 5%, 1W, Output current sensor |
| R5 | 330 Ω , 10%, 1/4W, Part VT4 base bias pot. divider |
| R6 | 2k Ω , Preset, Set output volts, 03E1-087 |
| R7 | 3.3k Ω , 10%, 1/4W, Part VT4 base bias pot. divider |

RESISTORS—TA36

| REF | DESCRIPTION & PART NO. |
|-----|--|
| R1 | 1.8k Ω , 10%, 1/4W, VT2 bias |
| R2 | 6.8k Ω , 10%, 1/4W, VT1 & VT4 collector load |
| R3 | 220 Ω , 10%, 1/4W, VT1 bias |
| R4 | 12 Ω , 10%, 1/4W, Output current sensor |
| R5 | 1.8k Ω , 10%, 1/4W, Part VT4 base bias pot. divider |
| R6 | 2k Ω , Preset, Set output volts, 03E1-087 |
| R7 | 220 Ω , 10%, 1/4W, Part VT4 base bias pot. divider |

MISCELLANEOUS

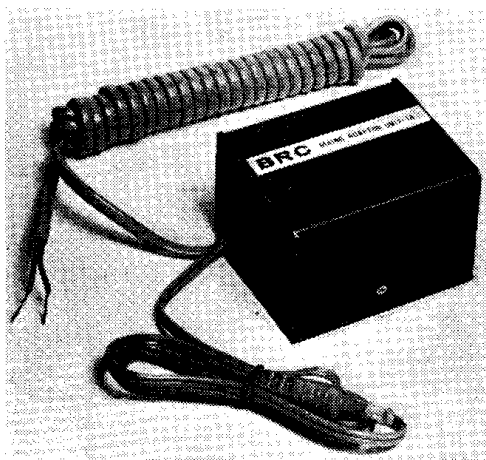
| REF | DESCRIPTION & PART NO. |
|------|--|
| P1 | Output plug and lead assembly, 03H1-016 |
| T1 | Mains transformer, 03D3-031 |
| W1-2 | Supply rectifier (TA35)—Type S6M1, 00V4-761 |
| W1-4 | Supply rectifier (TA36)—Type 1S970, 00V4-783 |

BRC

SERVICE INFORMATION

Mains Adaptor Units

TA35 (9V) TA36 (18V)



The units are designed as alternative power sources for battery-operated transistor radios such as Model 2170 (9V) or 2171 (18V). Each radio is fitted with a special socket which accepts the Mains Adaptor output plug (the internal radio battery being automatically disconnected).

The manufacturers reserve the right to vary specifications or use alternative materials as may be deemed necessary or desirable at any time.

BRITISH RADIO CORPORATION LIMITED

SERVICE DEPOTS

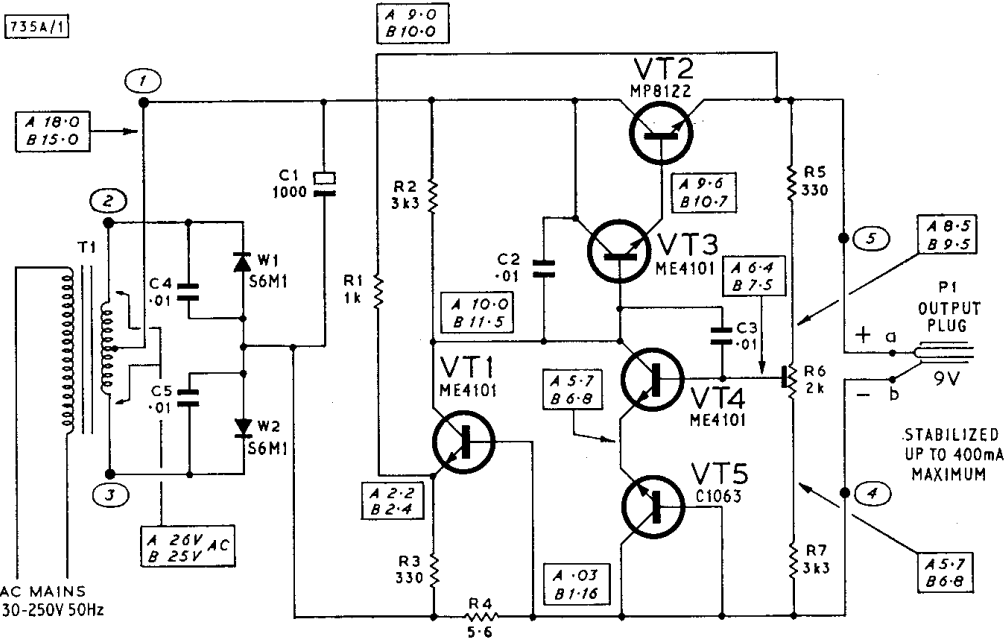
LONDON:
P.O. Box No. 121, Lea Valley Trading Estate, Angel Road,
Edmonton, London, N18 3BP. Tel. 01-807 3060
Spare Parts Tel. 01-807 0791; Answering Service: 01-807 6332

MANCHESTER:
Thorn House, Derby Street, Cheetham,
Manchester 8. Tel. 061-832 2499

GLASGOW:
155 Shieldhall Road, Glasgow, S.W.1.
Tel. 041-882 4512



British Radio Corporation Ltd. is a member of the Thorn Group.

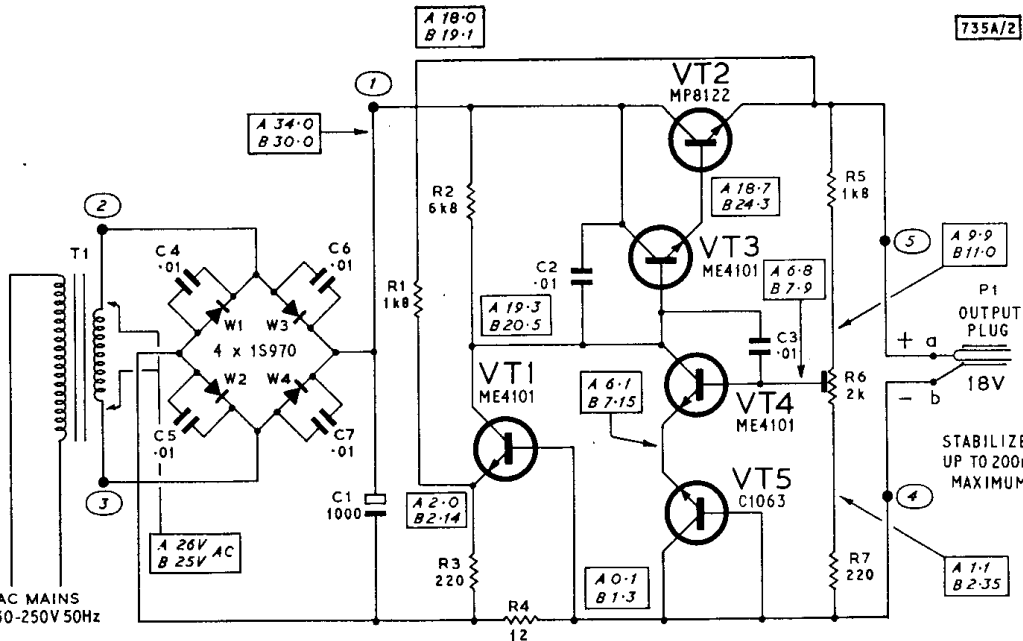


TA35

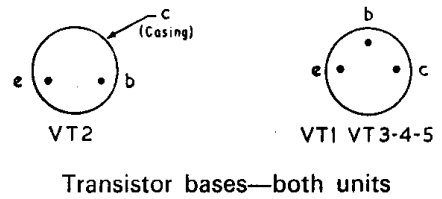
CIRCUIT DIAGRAMS

Figures in rectangles are DC voltage readings taken with a 20,000 Ω/volt meter. They were measured with respect to the negative end of C1. 'A' denotes no load. 'B' denotes half maximum current.

Ringed figures indicate printed board tag connections. In some TA35 units R5 is 220Ω and R7 is 4.7kΩ.



TA36

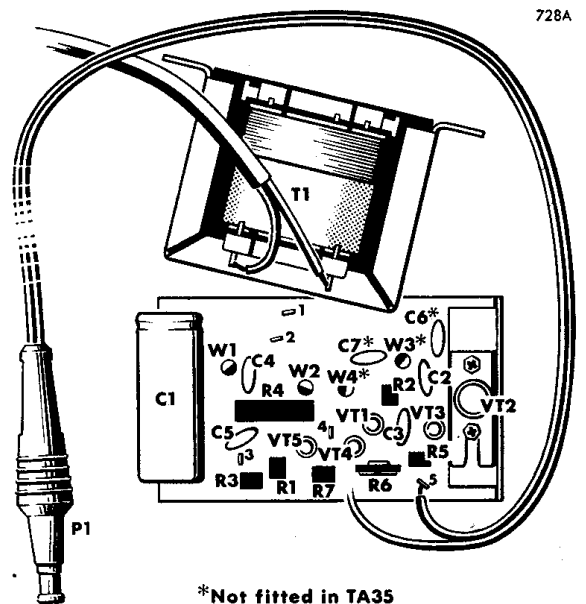


Transistor bases—both units

REPLACEMENT PARTS

Unless otherwise stated, items listed apply to both units. When ordering replacement components please quote unit number and include the description or function given with part number.

| | |
|-----------------------------|--------------|
| Cover moulding | 03A0-269 |
| Nameplate trim—TA35 | 03A2-303/001 |
| —TA36 | 03A2-303/002 |
| Screw | SB06KP04/C |
| Base moulding—TA35 | 03M3-636 |
| —TA36 | 03M3-637 |
| 'U' clip | 03L4-030 |
| Cable cleat | 03L4-184 |



*Not fitted in TA35