



BUSH 3160

Cassette recorder



2501

General

Frequency response
200-6300Hz

Audio output
450mW into 8 ohm

Transistors

TR1 9014B
TR2 9014C
TR3 9014C

Diodes

D1 1N4148
D2-5 1N4001

Integrated circuit

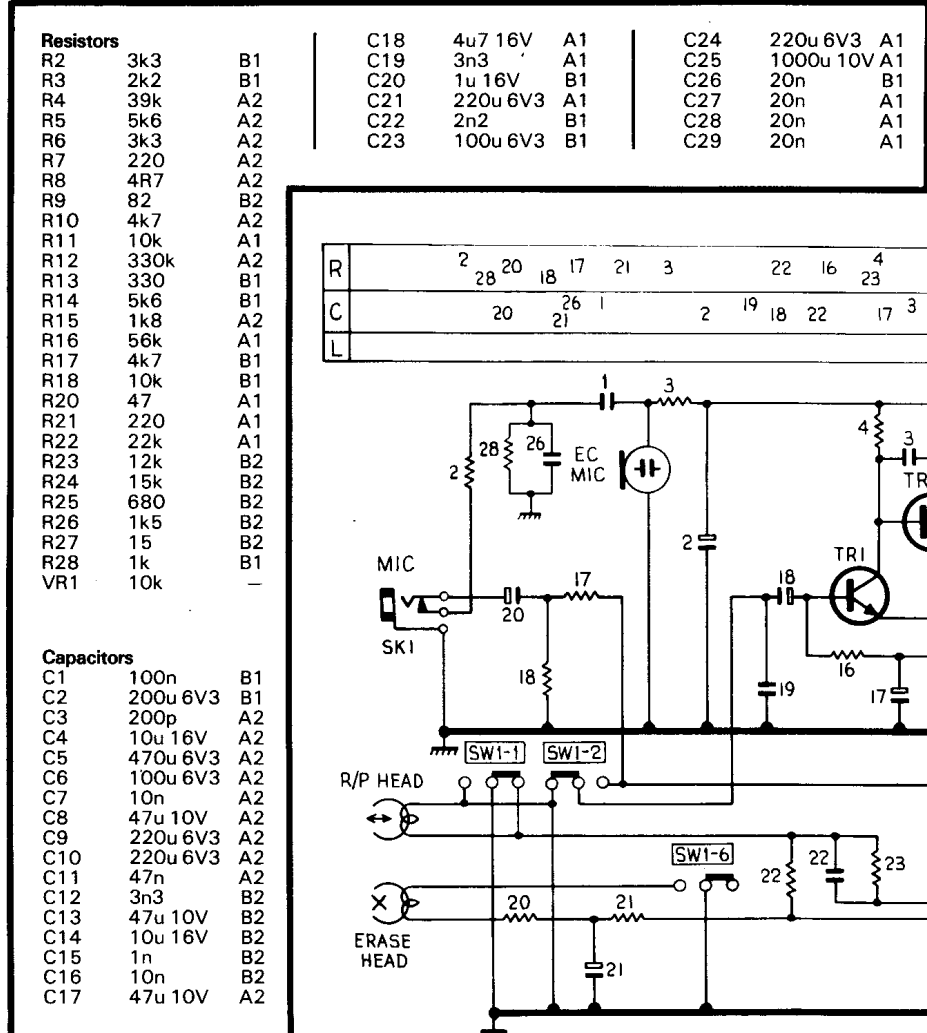
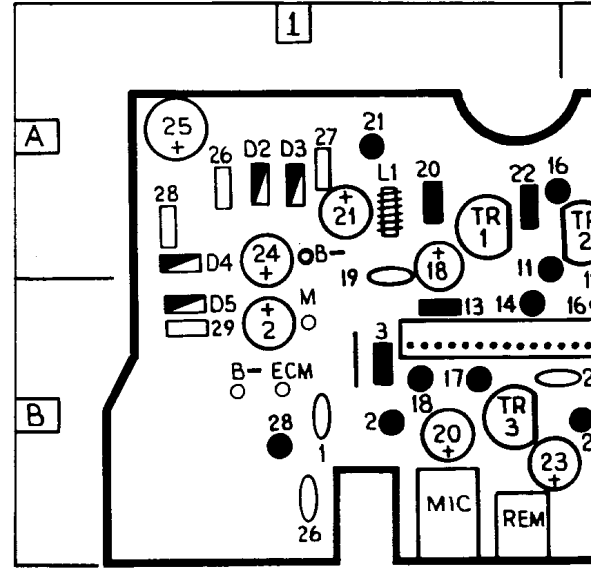
IC1 LA4140

Power supply

(1) 240V 50Hz
(2) 6V DC from 4 x 1.5V cells of type HP11 or equivalent.

Manufacturer

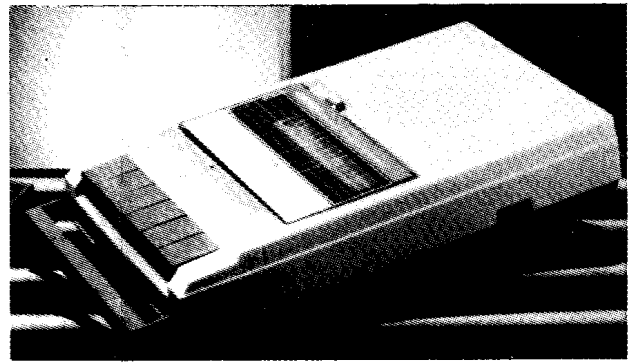
Bush Radio plc, Wharf Road, Enfield, Middlesex EN3 4TE. Tel: 01-805 1664.



Additional copies of this service chart, price 50p including postage, are available from: The Cashier, Business Press International, Sales and Distribution, Quadrant House, The Quadrant, Sutton, Surrey SM2 5AS. Most service chart back numbers are also available, price 50p.

BUSH 3160

Cassette recorder

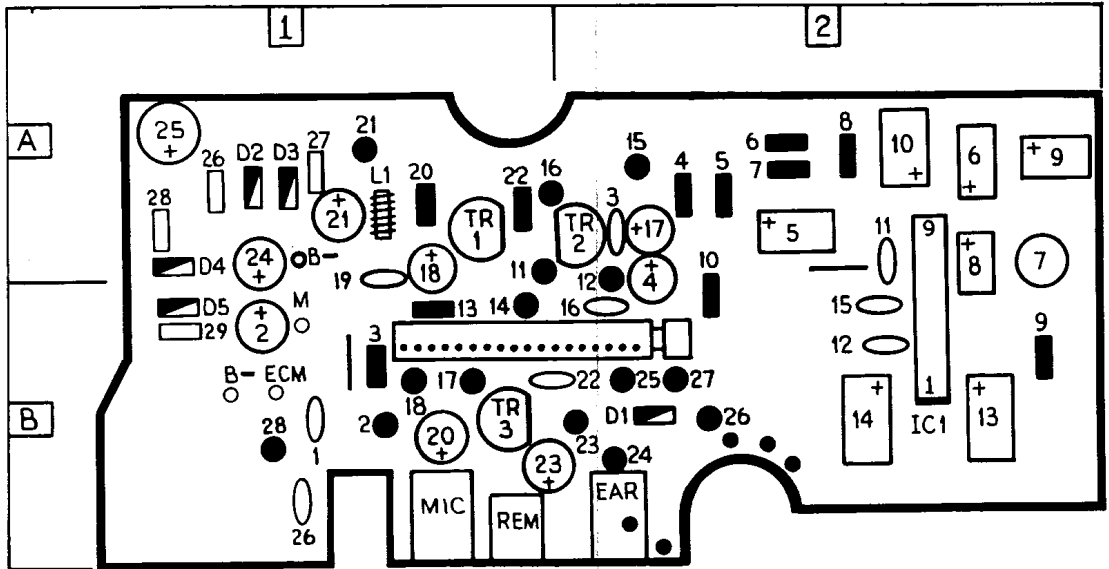


1N4148
1N4001

Resistor
LA4140

Frequency
1000 Hz
Power from 4 x 1.5V cells of type
AA or AAA.

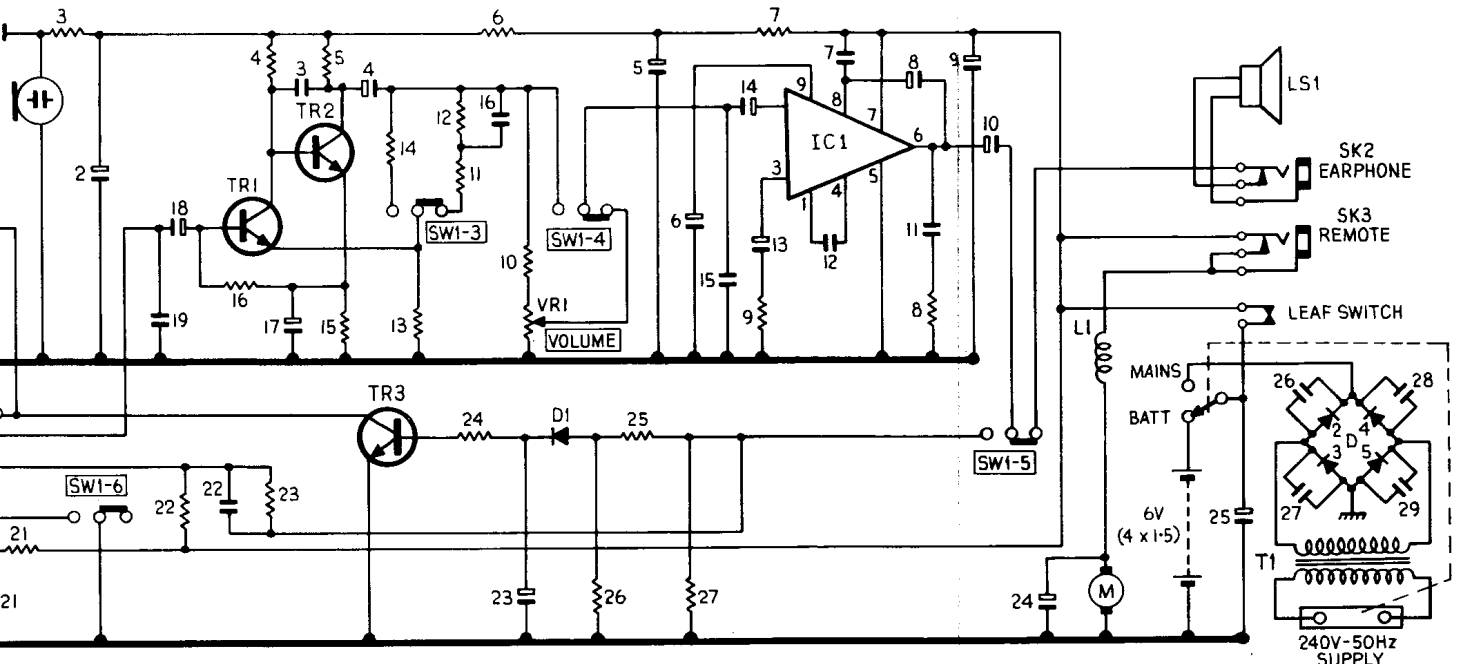
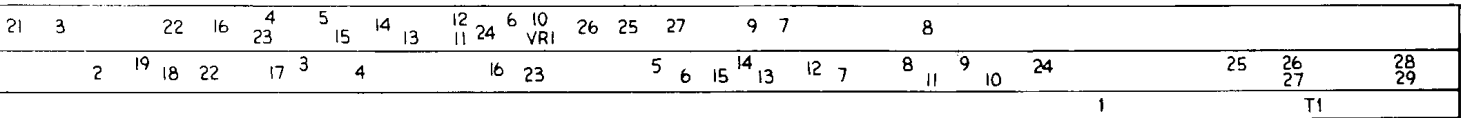
Address
Radio plc, Wharf Road, Enfield,
Middlesex EN3 4TE. Tel: 01-805 1664.



C24	220u 6V3	A1
C25	1000u 10V	A1
C26	20n	B1
C27	20n	A1
C28	20n	A1
C29	20n	A1

Additional copies of this service chart, price 50p including postage, are available from: The Cashier, Business Press International, Sales and Distribution, Quadrant House, The Quadrant, Sutton, Surrey SM2 5AS. Most service chart back numbers are also available, price 50p.

This service chart is copyright. It is not to be resold or reproduced, in part or in whole, without permission.



CASSETTE DECK PARTS

- 1 Chassis assembly
- 3 Record safety lever
- 6 Head panel
- 7 Head base
- 8 Sensing plate assembly
- 9 Spring
- 10 Head panel spring B
- 12 Pinch roller assembly
- 13 Spring
- 14 Pinch roller arm stopper
- 15 Record-Play head
- 16 Erase head
- 18 RF pulley arm assembly
- 19 Take-up roller arm assembly
- 20 Take-up roller assembly
- 21 Spring
- 22 Collar
- 24 FF gear
- 26 Flywheel assembly
- 27 Flywheel holer
- 28 Flywheel plate
- 29 Spring
- 31 Take-up reel assembly
- 32 Spring
- 34 Supply reel assembly
- 35 Spring
- 37 Motor bracket
- 38 Motor pulley
- 39 Main belt
- 40 Motor rubber
- 41 Special screw
- 42 Motor
- 43 Antivibration felt mat
- 46 Eject slide lever C
- 47 Spring
- 48 Eject collar
- 50 Push button base (R)
- 51 Push button base (L)
- 52 Pause button lever assembly
- 53 Stop button lever
- 54 FF button lever
- 55 RWD button lever
- 56 Play button lever
- 57 REC button lever
- 58 Spring
- 59 Spring
- 60 Spring
- 61 Spring
- 62 Push button actuator assembly
- 63 Spring
- 64 Actuator shaft (B)
- 65 Actuator shaft
- 67 Pause lever
- 68 Spring
- 69 Pause lever stopper
- 71 Pack spring
- 72 Leaf switch
- 75 Push button lever shaft
- 76 Push button knob
- 82 C tapping screw M2x4
- 83 C tapping screw M2x5
- 84 Screw M2x7
- 85 Cap screw M2x7
- 86 Cap screw M2x8
- 87 Tapping screws M2.6x4
- 88 Screw M2.6x5
- 89 Tapping screw M2x6
- 90 Bind tapping M2x9
- 91 U washer 0.3
- 92 P washer cut
- 93 P washer cut
- 94 Washer
- 95 Nylon washer
- 96 Nylon washer
- 97 E ring 3.2
- 98 B-3 lug

