
BUSH**Model BA5005**

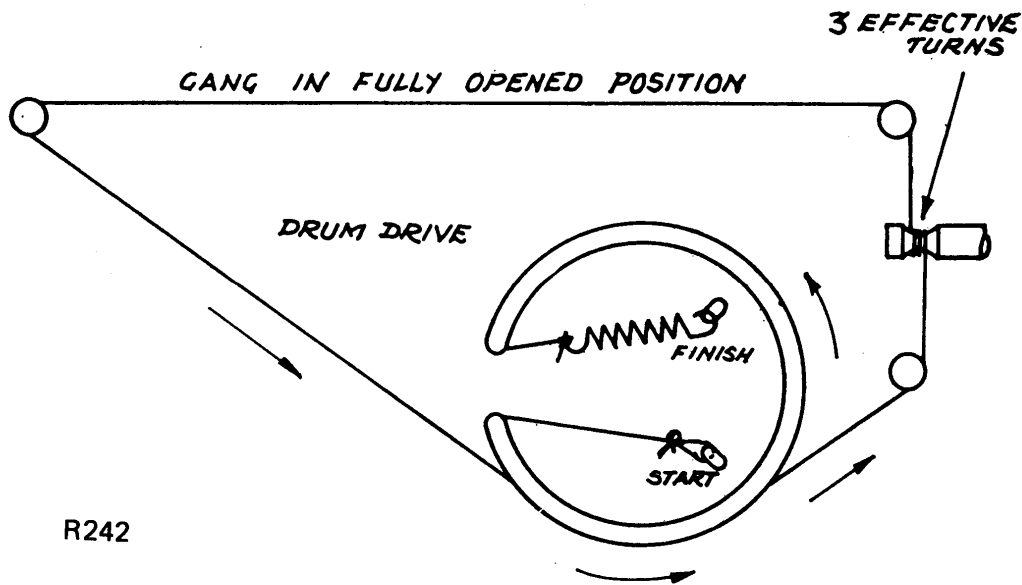
General Description:**Wavebands:** L.W. 158–280kHz; M.W. 525–1,620kHz.**Batteries:** 6 V (4 × SP2 or equivalent).**Quiescent Current:** 19 mA.**Loudspeaker:** 8 Ω impedance.**Alignment****Equipment required:**

A suitable signal generator to cover 470kHz, 150kHz to 1,650kHz with provision for A.M. modulation.

A power output meter 0 to 300 SW. Impedance 8 Ω.

Loop aerial (see R.F. Alignment).

AVO model 8 or a 20,000 Ω per V D.C. meter.



(R242) DRIVE CORD—MODEL BA5005

Set the Volume and Tone controls to maximum unless otherwise stated. Disconnect the loudspeaker and connect the power output meter in its place.

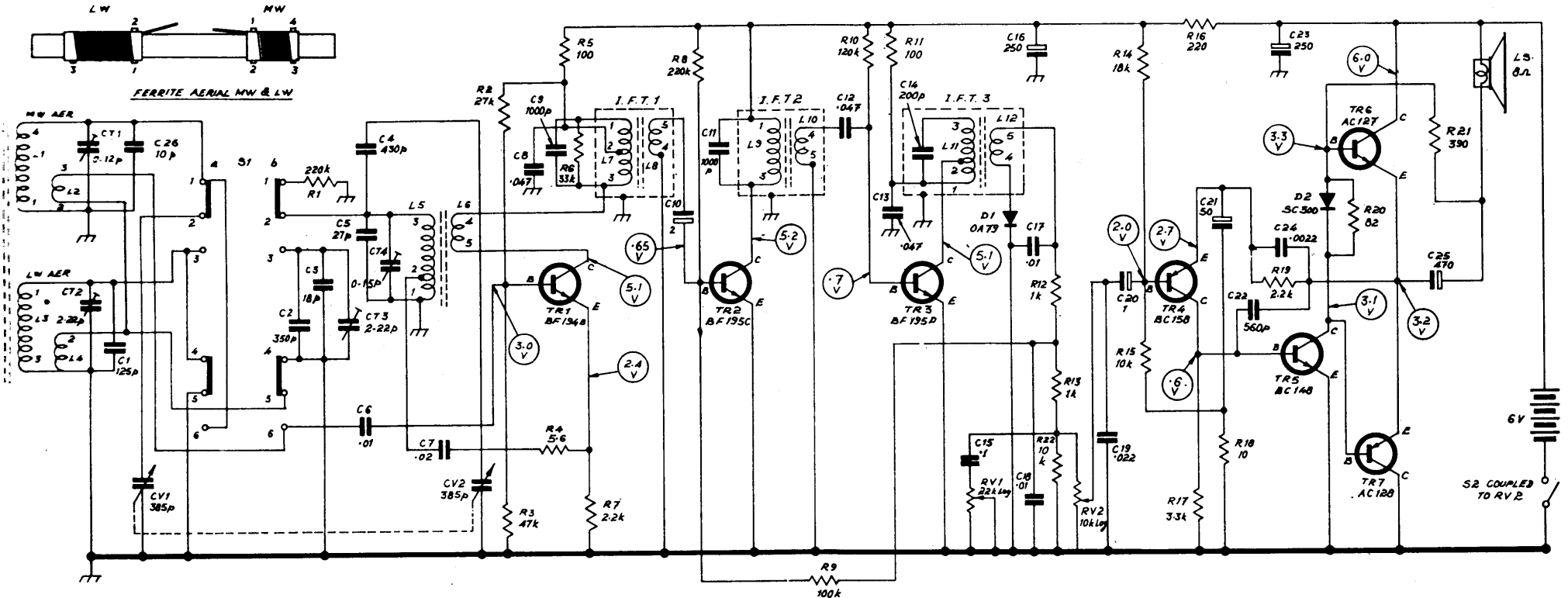
I.F. Alignment: Switch the receiver to the Medium waveband and set the tuning capacitor to minimum (gang fully open).

Inject a 470kHz signal, modulated 30 per cent at 400Hz, via a 0.1 μF capacitor to the base of TR1.

Align IFT3, IFT2 and IFT1 in that order for maximum audio output.

R.F. Alignment: Couple the signal via a 10-in. diameter loop of insulated wire in series with a resistor of a value to match the output impedance of the generator. The loop should be placed at right angles to the rod aerial.

Operation	Waveband	Sig. Gen. Frequency	Tuning Setting	Adjust for Max. Output
Oscillator Circuits				
1	M.W.	600kHz	500 metres	L5/L6
2	M.W.	1,500kHz	200 metres	CT4
Repeat operations 1 and 2 for maximum output alignment points.				
Aerial Circuits				
3	M.W.	600kHz	500 metres	L1/L2
4	M.W.	1,500kHz	200 metres	CT1
Repeat operations 3 and 4 for optimum results.				
Oscillator Circuits				
5	L.W.	214kHz	1,400 metres	CT3
Aerial Circuits				
6	L.W.	214kHz	1,400 metres	L3/L4
7	L.W.	273kHz	1,099 metres	CT2
Repeat operations 6 and 7 for optimum results.				



(R243) CIRCUIT DIAGRAM—MODEL BA5005

BUSH

461

RADIO SERVICING

Circuit Diagram Notes: All values of resistors in ohms and all values of capacitors in μF unless otherwise stated.

Voltages indicated are positive with respect to chassis and measured with AVO model 8, in 10V range, under no signal conditions, with volume control set to minimum.

Circuit is shown with switch S_I in M.W. position.