



DYNATRON

RECORD PLAYER SERVICE MANUAL

MODELS GR14 and GR14M. Also SCU4 STEREO UNIT

April 1968

'CORDOVA' MODELS GR14 and GR14M. ALSO SCU4 STEREO UNIT

General Description

The 'Cordova' Model GR14 is a fully transistorised transportable stereo adaptable record player incorporating an automatic record player and 10 in. elliptical loudspeaker driven by a 7 watt push pull amplifier. Model GR14M is similar but fitted with a Garrard SP25 single record player unit.

The GR14 series 'Cordova' can be connected with its associated stereo conversion unit SCU4 to give full range stereo.

The SCU4 has an identical amplifier and loudspeaker complement to the GR14 series but does not include a record playing unit or power unit.

Technical Data

Mains Voltage:

(GR14) 195-250 volts. A.C. only. 50 Hz (other voltages, i.e. 110 volts and 60 Hz special order).

Controls:

(GR14) Mains on/off, volume, bass, treble (SCU4) volume, bass, treble.

Power Output:

7 watts (speech and music rating) 5 watts R.M.S. into 4 ohms.

Loudspeaker:

10 in. × 6 in. elliptical special cone high flux. 4 ohms. (25 × 15 cms.)

Pick-up Cartridge:

(GR14) Stereo cartridge GKS25T. Diamond stylus. Tracking weight 4-5 grms.

Indicator Lamp:

(GR14) 6.5 volts. 0.3A M.E.S.

Fuse:

(GR14) 1 amp.

Dimensions

(GR14) 17 $\frac{3}{4}$ in. wide × 8 $\frac{1}{4}$ in. high × 16 $\frac{3}{4}$ in. deep, overall (including handle). (45 × 21 × 42.5 cms.).

(SCU4) 16 $\frac{3}{4}$ in. wide × 8 $\frac{1}{4}$ in. high × 8 $\frac{1}{2}$ in. deep, overall. (42.5 × 21 × 22 cms.).

Weight

(GR14) 22 $\frac{3}{4}$ lbs. (10.3 Kgs.).

(SCU4) 8 $\frac{3}{4}$ lbs. (4.0 Kgs.).

Cabinet

Black, Rexine covered. Teak finish control cover.

Transistors

TR1	NKT.216D	
TR3	NKT.143	
TR4	AC128	Driver
TR5	AD162	Complementary output pair
TR6	AD161	
VA1	VA1077	Bias stabiliser
(GR14) RE1	CDS117 or LT120	Rectifier

Chassis Removal GR14

Amplifier and Power Unit:

1. Remove 5 screws holding motor board to cabinet.
2. Remove 3 screws holding back of amplifier compartment and remove back.
3. Lift up motor board and insert rear edge into slots in side rails to hold vertically.
4. Release crosshead screws at each end of scale and lift up control panel and amplifier complete.
5. Disconnect leads as necessary for service or complete removal.
6. When replacing knobs be sure to support control from the underside to prevent undue strain being placed on control mounting lugs.

Chassis Removal SCU4

Amplifier:

1. Remove screws holding base cover.
2. Pull off control knobs from control shafts.
3. Remove 2 4BA nuts and washers holding chassis to underside of control panel and withdraw chassis.
4. When replacing control knobs be sure to support control from underside to prevent undue strain being placed on control mounting lugs.

Quiescent Current—TR5 and TR6

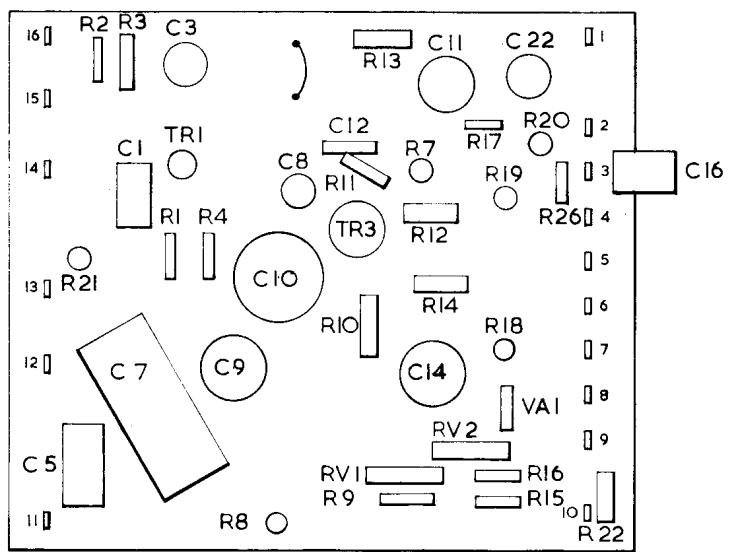
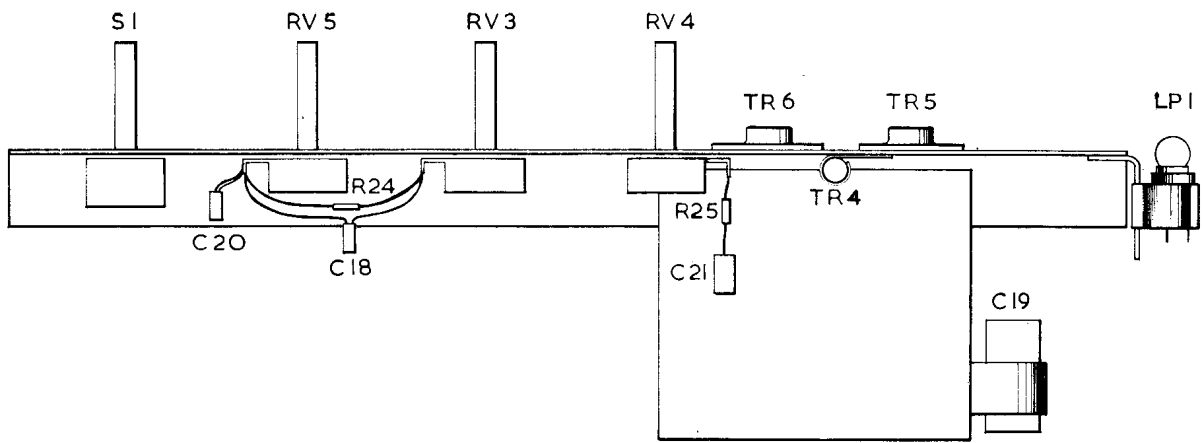
1. Disconnect TR5 collector from tag 9 and insert 25 mA range meter in series.
2. Adjust RV2 to give indication of 15 mA.
3. Adjust RV1 to give exactly half voltage at tag 9 when Avo connected to tag 7.
4. Recheck 2 above (Total amplifier current approximately 45 mA).

Static Voltages

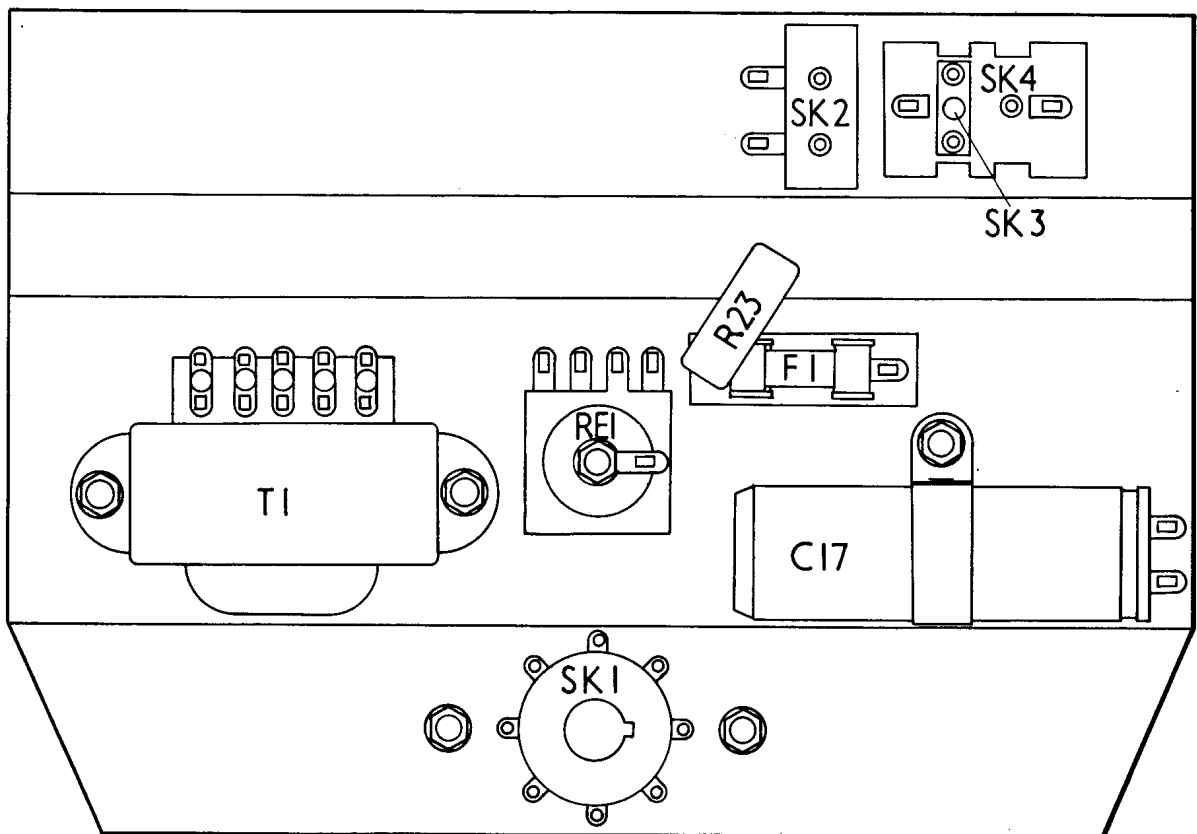
These voltages are shown on the circuit diagram measured with Avo 8, mains 240 volt input.

NOTE:

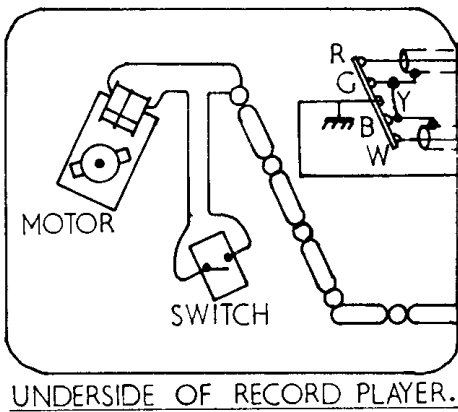
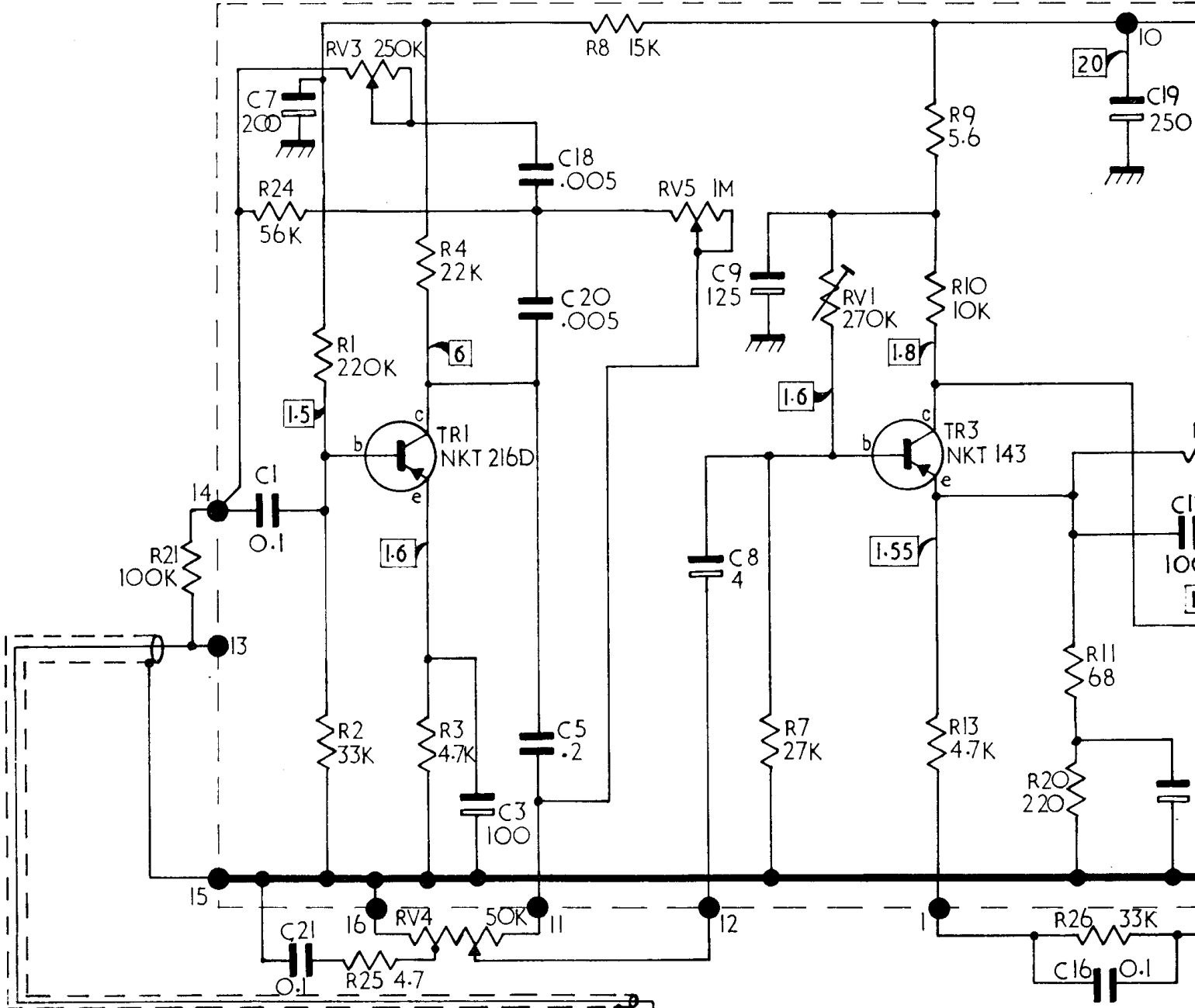
Circuit Diagram SCU4 is as GR14 less power unit and pick-up connections.



POWER UNIT



PERIMETER OF A70 PRINT BOARD.



195-250V. 50Hz



SK1

