

**General Description:** Portable mains-powered mono record-players employing similar four-transistor amplifiers. The basic difference between models is in the H.T. values which are determined by the mains transformer. Model HF35 is fitted with a transformer providing an 18 volts secondary, that used in the HF42 gives 9.3 volts A.C. Component values are changed accordingly.

### Semiconductor Types:

TR <sub>1</sub>	ME1002
TR <sub>2</sub>	ME0404/2
TR <sub>3/4</sub> (HF35)	AC176/AC128
TR <sub>3/4</sub> (HF42)	AC127/AC128
MR <sub>1</sub>	WKA29PM01B

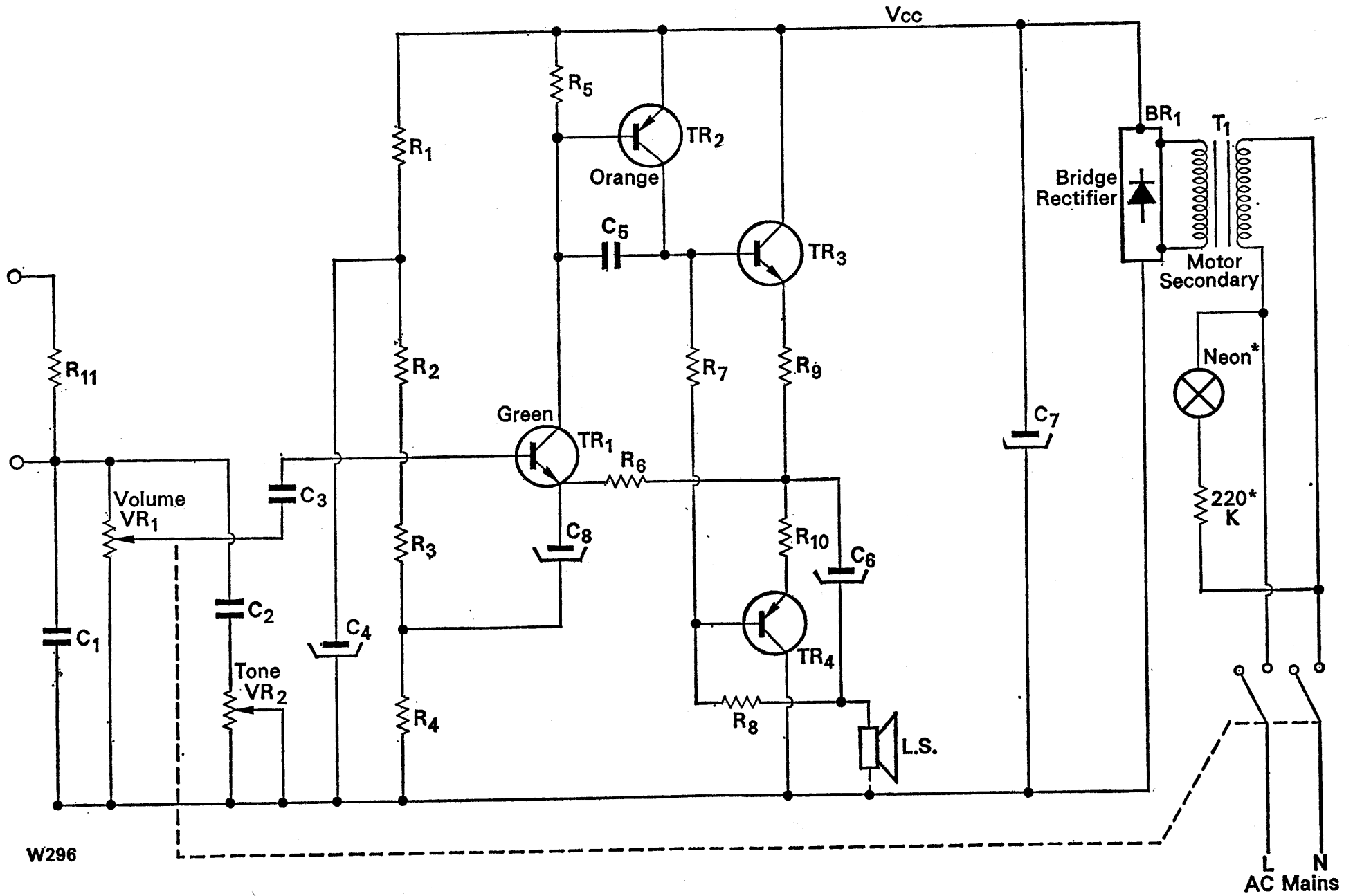
### Resistors

Resistors	(Model HF35T)	Resistors	(Model Hf42)
R <sub>1</sub>	27k	R <sub>1</sub>	8k2
R <sub>2</sub>	120k	R <sub>2</sub>	22k
R <sub>3</sub>	330k	R <sub>3</sub>	150k
R <sub>4</sub>	100 (270 early models)	R <sub>4</sub>	180
R <sub>5</sub>	2k2	R <sub>5</sub>	2k2
R <sub>6</sub>	8k2	R <sub>6</sub>	8k2
R <sub>7</sub>	10 (15 early models)	R <sub>7</sub>	15
R <sub>8</sub>	1k	R <sub>8</sub>	390
R <sub>9/10</sub>	2.2	R <sub>9/10</sub>	2.2
R <sub>11</sub>	—	R <sub>11</sub>	150k

### Capacitors

C <sub>1</sub>	.01	C <sub>1</sub>	.01
C <sub>2</sub>	.02	C <sub>2</sub>	.02
C <sub>3</sub>	.1	C <sub>3</sub>	.1
C <sub>4</sub>	50/25 V.	C <sub>4</sub>	100/10 V.
C <sub>5</sub>	470p	C <sub>5</sub>	470p
C <sub>6</sub>	100/16 V.	C <sub>6</sub>	300/6 V.
C <sub>7</sub>	500/25 V.	C <sub>7</sub>	1000/12 V.
C <sub>8</sub>	50/25 V.	C <sub>8</sub>	100/10 V.

**Loudspeaker:** 25 ohms impedance (HF35T); 8 ohms impedance (HF42).



(W296) CIRCUIT DIAGRAM—MODELS HF35T, HF42 "MINI"

W296

L N  
AC Mains