

MARCONIPHONE

SERVICE MANUAL

PRIVATE AND CONFIDENTIAL
TO THE TRADE ONLY



Models 347, 367

6-Valve All-Wave
A.C. Mains Superhet

Specification	page 2
Circuit Diagram	„ 3
Component Diagram	„ 3
Spare Part List	„ 4

AUG.

1 9 3 7

PART NO.

2 8 1 6 5

MODELS 347, 367

GENERAL NOTE

These models have the same basic circuit as the 6-valve all-wave receivers, Models 346, 366, with the addition of a cathode ray type visual tuning indicator (Y63), its associated components R72, R73, C98 and modified mains transformer which supplies an additional filament voltage (6.3 volts) for the Y63.

SPECIFICATION

VOLTAGE RANGE.

200 to 250 volts.
50 to 100 cycles (Table Model).
50 to 60 cycles (Auroradiograms).

CONSUMPTION.

90 watts (Radio).
130 watts (Gramophone).

FUSES.

It is recommended that this instrument is connected only to supply points protected with 2-ampere fuses.

SPEECH OUTPUT.

Approximately 3 watts (undistorted).
Anode dissipation of output valve, 9 watts.

WAVELENGTH RANGE.

Range L	750-2,200 metres.
" M	185- 560 "
" S1	46- 140 "
" S2	16.7- 51 "
" S3	7- 16 "

DIMENSIONS.

				Height.	Width.	Depth.
Model 347	16	21 $\frac{1}{2}$	13 $\frac{3}{4}$
" 367	30 $\frac{5}{8}$	30 $\frac{1}{4}$	20 $\frac{1}{2}$

WEIGHT.

Model 347	46 lb. net., 94 lb. gross.
" 367	137 lb. net, 160 lb. gross (carton). 234 lb. gross (case).

LOUDSPEAKER.

No. 21970AE (Table Model).
No. 21970AC (Radiograms).

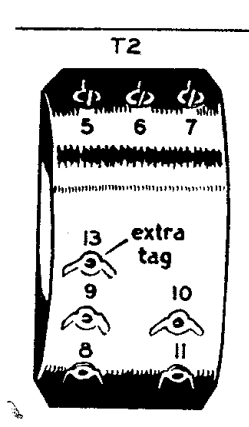
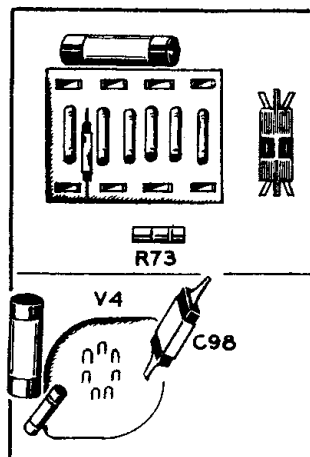
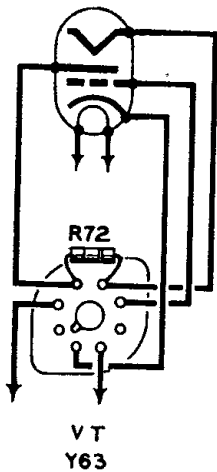
					No. 21970AE	No. 21970AC
					Ohms.	Ohms.
D.C. resistance of speech coil	4	1.75
Impedance at 800 cycles	5	2.5
D.C. resistance of field	1,100	1,100
D.C. resistance primary T1	580	300

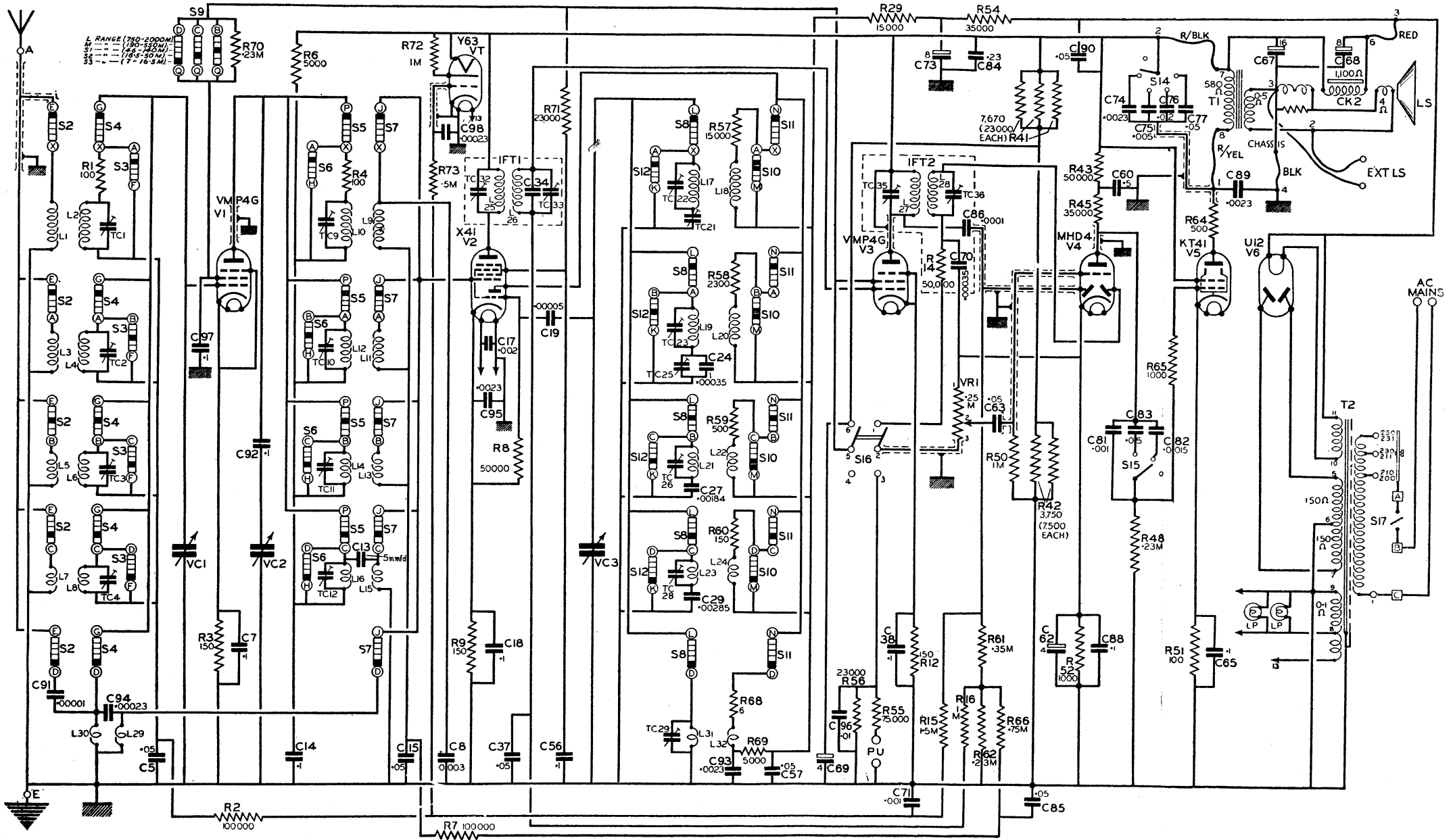
VALVES.

Marconi VMP4G (met.)	H.F. Amplifier.
„ X41 (met.)	Frequency Changer.
„ VMP4G (met.)	I.F. Amplifier.
„ MHD4 (met.)	2nd Detector.
„ N41 or KT41*	Output Valve.
„ U12	H.T. Rectifier.
„ Y63	Visual Tuning Indicator.

* This is interchangeable with and replaces N41.

For Circuit Description, Dismantling, Preliminary Tests, H.F. Tests, etc., see Service Manual for Models 346 and 366.





SPARE PARTS LIST

MODEL 347

Part No.	Description	Parts per Inst.	Finish	Retail List Price	Per
Parts different from or additional to those in Model 346.					
				£ s. d.	
Instructions.					
82637	Cabinet label	1	—	0 0 1	Each.
26240	Instruction card	1	—	0 0 6	"
25716	Escutcheon transit label	1	—	0 0 1	"
CABINET PARTS AND FITTINGS					
—	Cabinet	1	Pol	5 18 6	Each.
—	Baffle board, with insert nuts... ..	1	Std	0 2 0	"
26506	Wire mesh	1	AnBr	0 8 0	"
19273	Pin securing wire mesh to baffle	6	—	0 0 1	Doz.
—	Felt for wire mesh, $\frac{1}{8}$ -in. black, Spec. 1429, code 225/82316	—	—	0 0 9	Sq. Ft.
—	Felt for wire mesh, $\frac{1}{4}$ -in. black, Spec. 1459, code 225/84316	—	—	0 1 0	"
26235A	Tuning escutcheon	1	—	0 1 3	Each.
24546	Bracket, for visual tuner	2	CdP	0 0 1	"
8697	Screw, securing brackets to cabinet	4	—	0 0 3	Doz.
24369	Clamp, top	1	CdP	0 0 1	Each.
24820	Clamp, bottom	1	CdP	0 0 1 $\frac{1}{2}$	"
8777	Screw, P.K., securing clamp, bottom, to brackets	2	—	0 0 6	Doz.
14791	Screw	2	WN	0 0 4	"
3166	Washer, S.P. } securing clamp, top, to clamp, bottom... ..	2	—	0 0 2	"
RADIO UNIT					
22300AB	Radio unit	1	—	15 10 0	Each.
Parts of radio unit different from or additional to those on radio unit 22300K, used on Model 346.					
21586W	T2—Mains transformer	1	—	1 7 6	Each.
25719A	Scale	1	—	0 2 6	"
22237F	Pointer (large)	1	SynBE	0 0 6	"
Resistances.					
24150P	R72—1 megohm resistance	1	—	0 0 9	Each.
24150N	R73—0.5 megohm resistance	1	—	0 0 9	"
Condensers.					
22170AD	C98—0.00023 mfd. condenser	1	—	0 0 9	Each.
Valveholders, screens, panels, etc.					
22677C	Panel, with six tags	1	—	0 0 4 $\frac{1}{2}$	Each.
26005C	V.T. holder, complete with resistance and lead	1	—	0 3 9	"
26005B	V.T. holder	1	—	0 0 6	"
24150P	R72—1 megohm resistance	1	—	0 0 9	"
26507A	Lead	1	—	0 2 6	"
Y63—Visual Tuner.					

SPARE PARTS LIST

MODEL 367

Part No.	Description	Parts per Inst.	Finish	Retail List Price	Per
Parts different from or additional to those on Model 366.					
				£ s. d.	
Instructions.					
26628	Instruction book	1	—	0 0 6	Each.
82637	Cabinet label	1	—	0 0 1	"
CABINET PARTS AND FITTINGS					
—	Cabinet	1	Pol	16 16 0	Each.
9359	Domes, for base	4	Pol	0 0 1	"
—	Lid for cabinet, with felt	1	Pol	4 0 0	"
—	Felt for lid, S999, 225/85501	—	—	0 0 9	Sq. Ft.
9385	Lid hinge... ..	1	BzP	0 5 0	Each.
9525	Lid hinge screw... ..	18	BzP	0 0 2	Doz.
6208Y	Lid stay, R.H.	1	BzP	0 6 6	Each.
6208AE	Lid stay, L.H.	1	BzP	0 6 6	"
9561	Lid stay screw	8	BzP	0 0 2	Doz.
—	Motor board	1	Pol	0 18 6	Each.
—	Radio panel	1	Pol	0 19 6	"
—	Felt for radio panel bearer, S1429, 225/82316	—	—	0 0 9	Sq. Ft.
17018	Screw, securing radio panel to support frame	2	BzP	0 0 9	Doz.
8684	Screw, securing radio panel to bearers	2	BzP	0 0 6	"
14670	Radio panel lifting knob	1	BzP	0 0 6	Each.
11312	Radio panel lifting knob screw	1	WN	0 0 2	Doz.
—	R.H. side panel	1	Pol	1 0 0	Each.
—	Felt for side panel compression block, S1407, 225/82114	—	—	0 1 4	Sq. Ft.
—	Baffle board	1	Std.	0 4 3	Each.
9553	Screw, securing baffle board	5	—	0 0 2	Doz.
26253	Wire mesh	1	AnBr	0 8 9	Each.
19273	Pin, securing wire mesh to baffle	6	—	0 0 1	Doz.
—	Felt for wire mesh, 1/4-in., S1429, 225/82316	—	—	0 0 9	Sq. Ft.
—	Felt for wire mesh, 1/4-in., S1459, 225/84316	—	—	0 1 0	"
24873	Bracket for cabinet back	4	CdP	0 0 1	Each.
2418	Screw, securing brackets	8	—	0 0 3	Doz.
26625A	Cabinet back	1	—	0 2 9	Each.
24865	Escutcheon for visual tuner	1	—	0 0 4 $\frac{1}{2}$	"
24546	Bracket for visual tuner	2	CdP	0 0 1	"
8651	Screw, securing brackets to cabinets	4	WN	0 0 2	Doz.
24369	Clamp, top	1	CdP	0 0 1	Each.
24820	Clamp, bottom	1	CdP	0 0 1 $\frac{1}{2}$	"
8777	Screw, P.K., securing clamp, bottom, to brackets	2	—	0 0 6	Doz.
14791	Screw } securing clamp, top, to clamp, bottom... ..	2	WN	0 0 4	"
3166	Washer, S.P. }	2	—	0 0 2	"
25024	Volume control bracket	1	—	0 0 4	"
4375	Volume control escutcheon	1	—	0 0 6	Each.
8717	Screw, securing escutcheon	3	—	0 0 3	Doz.
18524F	Mech. support bracket assembly	1	—	0 3 3	Each.
26304	Stud	1	WN	0 0 3	"
Y63—Visual Tuner.					
22300Y	Radio Unit	1	—	15 10 0	Each.
21586X	T2—Mains transformer	1	—	1 7 6	"
24150N	R73—0.5 megohm resistance	1	—	0 0 9	"
22170AD	C98—0.00023 mfd. condenser	1	—	0 0 9	"
22677C	Resistance and condenser panel and 8 tags	1	—	0 0 4 $\frac{1}{2}$	"
26005C	V.T. holder, complete with resistance and lead	1	—	0 3 9	"
26507A	Lead	1	—	0 2 6	"
24150P	R72—0.1 megohm resistance	1	—	0 0 9	"

"FINISH" CODE

AnBr	Antique Brass	Std	Standard
CdP	Cadmium Plate	SynBEn...	Synthetic Black Enamel
Pol	Polished	WN	White Nickel



In order to expedite delivery of spare part orders, please quote :—

1. Model number and serial number.
2. Spare part number, description, and " finish " as given in the above list.
3. Quantity required.

Unless full particulars are quoted, delay in execution of orders must inevitably result.

Order spare parts from :—

E.M.I. SERVICE, LTD.,

SHERATON WORKS,

HAYES, MIDDLESEX.

Telephone : Southall 2468.

Telegraphic Address : Service, Hayes, Middlesex.

The Company reserves the right to make any modifications without notice.