

ACCESS FOR SERVICE

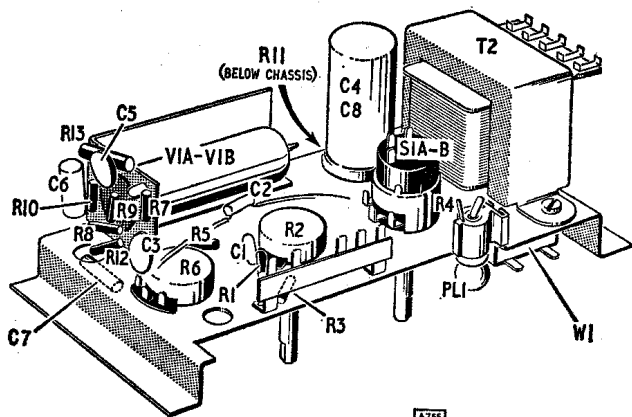
Remove front top cover and ventilation panel from cabinet (two screws). Take out screws and cup washers along edges of motor board. Lift motor board assembly, tilting slightly to clear obstructions, and rest on its back edge diagonally across cabinet floor.

To remove amplifier release mains lead clamp, pull off control knobs, then Ext. LS and Tape connections on tag panel—noting colour coding for ease of reassembly. Remove four nuts and washers securing amplifier to front panel then lift out amplifier to within limit of pickup and loudspeaker leads.

Stylus Replacement

Use the correct replacement type ST5. Place the rotatable tab in the neutral position and pull forward so that stylus head clears the 'V' in cartridge head, whilst gently easing the stock clear of rear spring.

Fit the replacement stylus by inserting the stock into a channel under the rear spring. Hold the tab to the right-hand side of cartridge and rotate to the neutral position; the stylus will click into place. Make sure that it fits into the 'V' at the cartridge head.



Component layout of amplifier chassis.

COMPONENT DETAILS

CAPACITORS

All 20% tolerance unless otherwise stated.

Ref.	Value	Rating	Function	Part No.
C1	300pF	500V	Part bass control circuit	5M48
C2	2000pF	500V	Part treble control circuit	2M55
C3	0.1μF	500V	V1A grid coupling	7M32
C4	32μF	300V	HT smoothing	*
C5	0.1μF	500V	V1B grid coupling	7M32
C6	25μF	25V	V1B cathode bypass	0E0-225/02
C7	0.05μF	400V	Tone correction	7M33
C8	32μF	300V	HT reservoir	*

*Combined unit—Part No. 0E0-236/07

MISCELLANEOUS

LS	Loudspeaker (nut 0L5-005)	8E3-003
PL1	Pilot lamp 8V 0.15A (lampholder 1Z3-321)	3Z3-762
S1A-B	ON-OFF switch	with R4
T1	Audio output transformer (screw-2, SZ06HP04)	8D3-001
T2	Mains transformer (screw-2, SB04CC06; nut-2 NFHB04; washer-2, WSPB04)	8D3-017
W1	HT rectifier (screw-2, SZ04HP08)	8E9-001

Continued Overleaf

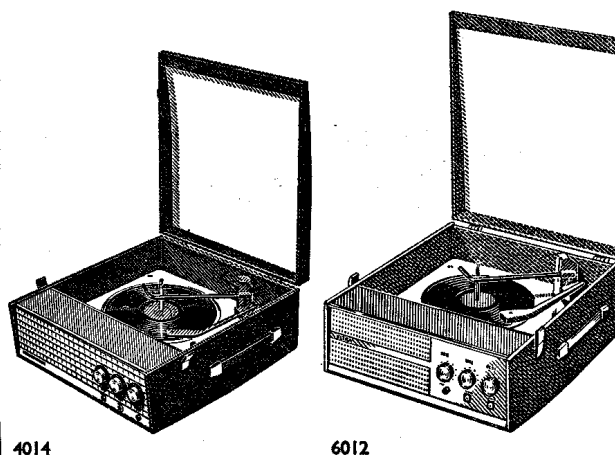
BRC



service manual

[Price One Shilling]

MARCONIPHONE 4014 & ULTRA 6012



SPECIFICATION

Mains Supply—230-250V 50 c/s (no mains adjustment necessary).

Power Consumption—Approximately 42 watts at 240V.

Valve—ECL86.

Output Power—Approximately 2.75 watts.

Record-changer—BSR Superslim UA15 four speed automatic record-changer with pickup cartridge type X1H and turnover stylus type ST5.

Loudspeaker—7 in. × 4 in. elliptical, PM, moving coil, 3Ω impedance.

Case Dimensions (overall)—15½" × 17½" × 7¼"

The manufacturers reserve the right to vary specifications or to use alternative materials as may be deemed necessary or desirable at any time.

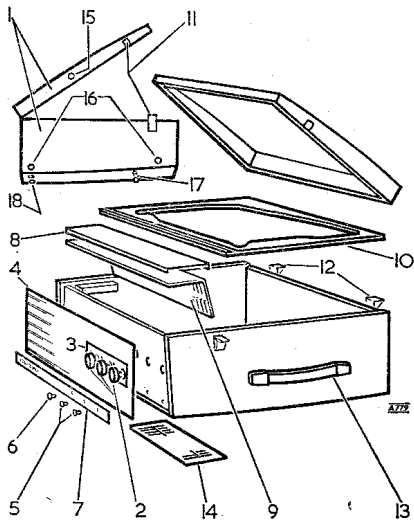
BRITISH RADIO CORPORATION LIMITED

SERVICE DEPOTS

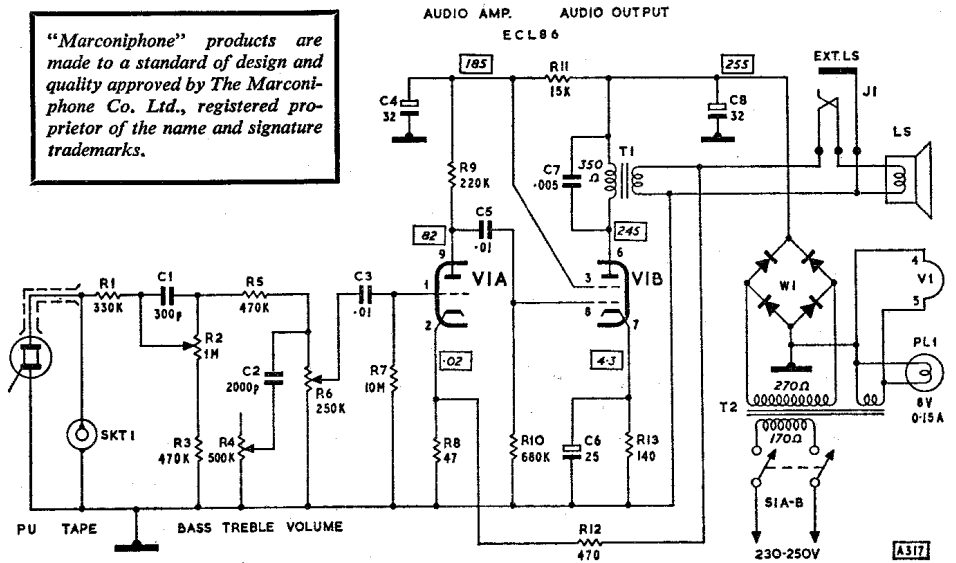
LONDON: Eley's Estate, Angel Road, N.18 · EDMonton 3060
Ansafone Spares Ordering Service: EDM 6332

BIRMINGHAM: 24 Sheepcote Street, 15 · Midland 5291

GLASGOW: 160-162 Battlefield Rd., S.2 · Langside 9251|2|3|4



"Marconiphone" products are made to a standard of design and quality approved by The Marconiphone Co. Ltd., registered proprietor of the name and signature trademarks.



CIRCUIT DIAGRAM. DC voltages were measured with a 20,000 ohm/voltmeter with a mains input of 240V AC.

REPLACEMENT PARTS LIST

Cabinet Assembly	Model 4014	Model 6012
(1) Cabinet including lid and items 4, 6, 7, 10-14, 17 and 18	8A0-049	8A0-049/1 (Blue) 8A0-049/2 (Black)
(2) Control knob (clip 3L3-027)	3C0-112/1	3C0-014/8
(3) Knob escutcheon	8A4-185	—
(4) Speaker grille	8A4-082	8A4-083
(5) External speaker or tape socket (clip 8L2-003)	8F6-031	8F6-031
(6) Pilot lamp lens (clip 3L2-020)	1Z2-513	1Z2-513
(7) Bottom trim	8A2-041	8A2-042
(8) Top trim (screw SA06MP20/C, 'U' clip 3L4-126)	8A4-084	8A4-084
(9) Ventilation panel	8A1-058/1	8A1-058/2 (Blue) 8A1-058/3 (Black)
(10) Motor board (screw SW06NP14/N, cup washer WPCB06/N)	8A1-059	8A1-060
(11) Lid catch assembly (screw SW06RP06/N)	0X0-324	8A9-010/2
(12) Lid hinge assembly (screw SW06RP06/N)	8A9-009/2	8A9-003
(13) Handle assembly	8A9-011/4	8A9-001/5 (Blue) 8A9-011/6 (Black) washer WPMB03/N; Dome nut 30974/1D
(14) Ventilation grille in base	8A4-067/3	8A4-067/4 (Blue) 8A4-067/1 (Black)
(15) Foot on cabinet lid (insert 8A8-005/14)	8A8-005/15	—
(16) Foot on cabinet side	8A8-005/15	—
(17) Foot on cabinet base—front	8A8-005/15	(inc. side) 8A8-005/18 (Blue) (insert 8A8-005/17) 8A8-005/3 (Black) (insert 8A8-005/27)
(18) Foot on cabinet base—rear	8A8-005/16	8A8-005/19 (Blue) 8A8-005/13 (Black)

Chassis Parts (applicable to both models)

Chassis retaining nut—4 (washer WPLB04)	NFHB04
Valveholder bracket assembly (screw SZ06HP04)	8M2-020
Valve retainer	1Z8-152/2
Plug for tape or extension loudspeaker socket	3F6-053
Mains transformer securing screw (washer WSPB04, nut NFHB04)	SB04CC06
Rectifier securing screw	SB04HP08
Record Changer	
BSR UA15 "Superslim"—Model 4014	8D8-021
Model 6012	8D8-020
Cartridge complete—type X1H	0X0-238
Stylus—ST5	0X0-172
Transit screw (washer 0Z7-882/37; clip 0X0-155)	0X0-870
Centre spindle	0X0-497
Motor	0X0-039

Component Details (continued)

RESISTORS

All 1/4 watt carbon 20% tolerance, unless otherwise stated.

Ref.	Value	Rating	Function	Part No.
R1	330K Ω		Part input attenuator	1B59
R2	1M Ω	Lin. pot	Bass boost	8E1-008/40
R3	470K Ω		Part bass control circuit	7A77
R4	500K Ω	Lin. pot with switch	Treble control	8E1-008/41
R5	470K Ω		Part input attenuator	7A77
R6	250K Ω	Log. pot.	Volume control	8E1-008/42
R7	10M Ω		V1A grid leak	9A22
R8	47 Ω		V1A cathode bias	9A23
R9	220K Ω		V1A anode load	5A62
R10	680K Ω		V1B grid leak	9A24
R11	15K Ω	1/4W 10%	HT smoothing	4A85
R12	470 Ω		Negative feedback	3A30
R13	140 Ω	1/4W 10%	V1B cathode bias	9A26

NOTE:—Lid not obtainable as a separate item.