

SERVICE NOTES

Take out four screws around edge of motor board. Lift motor board at rear, just sufficient to clear cabinet, and move it slightly rearward to clear lip at front of cabinet, then place motorboard on edge across cabinet floor. This provides access to the chassis and to the 500mA surge-proof fuse.

Chassis Removal

Pull off control knobs, then take off two nuts and washers securing chassis to cabinet—taking care not to lose two spacing pillars. The complete chassis can now be removed from the cabinet after releasing neon lamp from holder and, if required, unsoldering loudspeaker leads from tags on printed board.

Record Player Removal

(Please note that the pickup arm assembly is separately mounted.) Pull off pickup leads from tag panel on motor board, noting connections for correct reassembly. Unsolder motor mains feed lead from tag panel on right-hand channel printed board, also low tension leads from tag panel on left-hand channel printed board. Release leads from cleat on motor board and take off three nuts and washers to enable turntable and motor to be separated from cabinet.

To remove turntable, lift 45 rpm spindle adaptor and gently press the location lugs inward to free from the turntable, then take off circlip securing turntable and lift turntable clear of motor unit. When replacing turntable ensure that the circlip engages into a slot on the motor spindle, then replace 45 rpm adaptor.

Stylus Replacement

Place indicator flag in either position (LP or 78) and gentle downward pressure and forward movement will release stylus from its mounting. After replacement ensure that the stylus arm is engaged properly in the V-shaped fork of the cartridge.

Cartridge Replacement

Ease forward a small spring clip at the front end of the cartridge, then detach leads from pins at rear of cartridge—taking note of the colour coding to ensure correct connection to the replacement.

WARNING. To avoid damage to the pickup arm or pickup, note position for each loudspeaker and ensure that the mains lead and plug are stowed on the left-hand side of the record player.

REPLACEMENT TRANSISTORS AND DIODES

Replacement transistors and diodes are obtainable from BRC Service Depots quoting the classification numbers shown in the Circuit Diagram. Suitable Mullard types, which are available from wholesalers are listed below:

VT1L, VT1R	BC148
VT2L, VT2R	BC107
VT3L, VT3R	AC176
VT4L, VT4R	AC128

GUARANTEE REPLACEMENTS: Mullard types must be returned to the manufacturer with a claims form. All other types are guaranteed by BRC and the faulty semiconductor should be submitted to a BRC Service Depot together with details of the equipment from which it was removed.

BRC service manual

Price: 7½p

STEREOPHONIC RECORD PLAYER

MARCONIPHONE 4031



"Marconiphone" products are made to a standard of design and quality approved by The Marconiphone Co. Ltd., registered proprietors of the name and signature trade-marks.

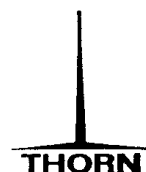
The manufacturers reserve the right to vary specifications or use alternative materials as may be deemed necessary or desirable at any time.

BRITISH RADIO CORPORATION LIMITED SERVICE DEPOTS

LONDON:
P.O. Box No. 121, Lea Valley Trading Estate, Angel Road,
Edmonton, London, N18 3BP. *Tel. 01-807 3060*
Spare Parts Tel. 01-807 0791; Answering Service: 01-807 6332

MANCHESTER:
Thorn House, Derby Street, Cheetham,
Manchester 8. *Tel. 061-832 2499*

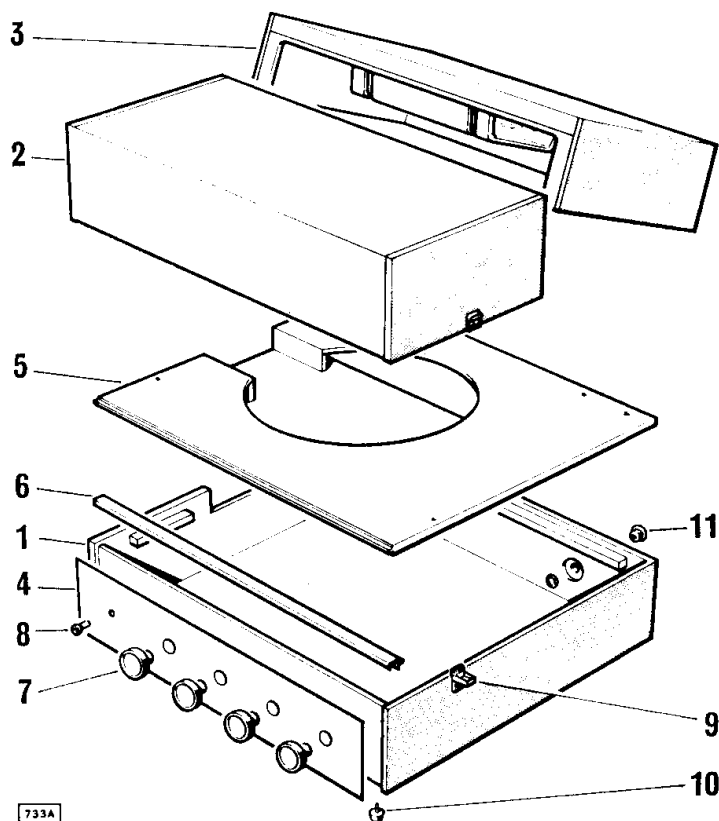
GLASGOW:
155 Shieldhall Road, Glasgow, S.W.1.
Tel. 041-882 4512



British Radio Corporation Ltd. is a member of the Thorn Group.

REPLACEMENT PARTS

When ordering replacement components, please quote Model number and include the description or function given with the part number.



Cabinet Assembly

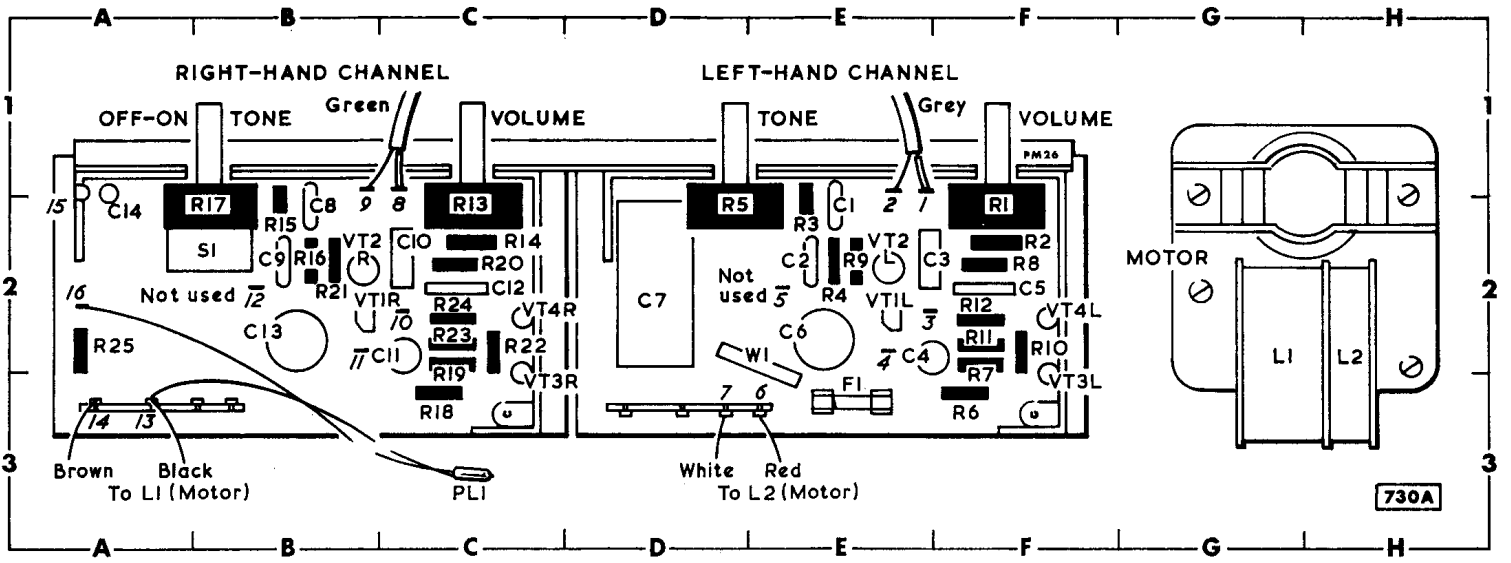
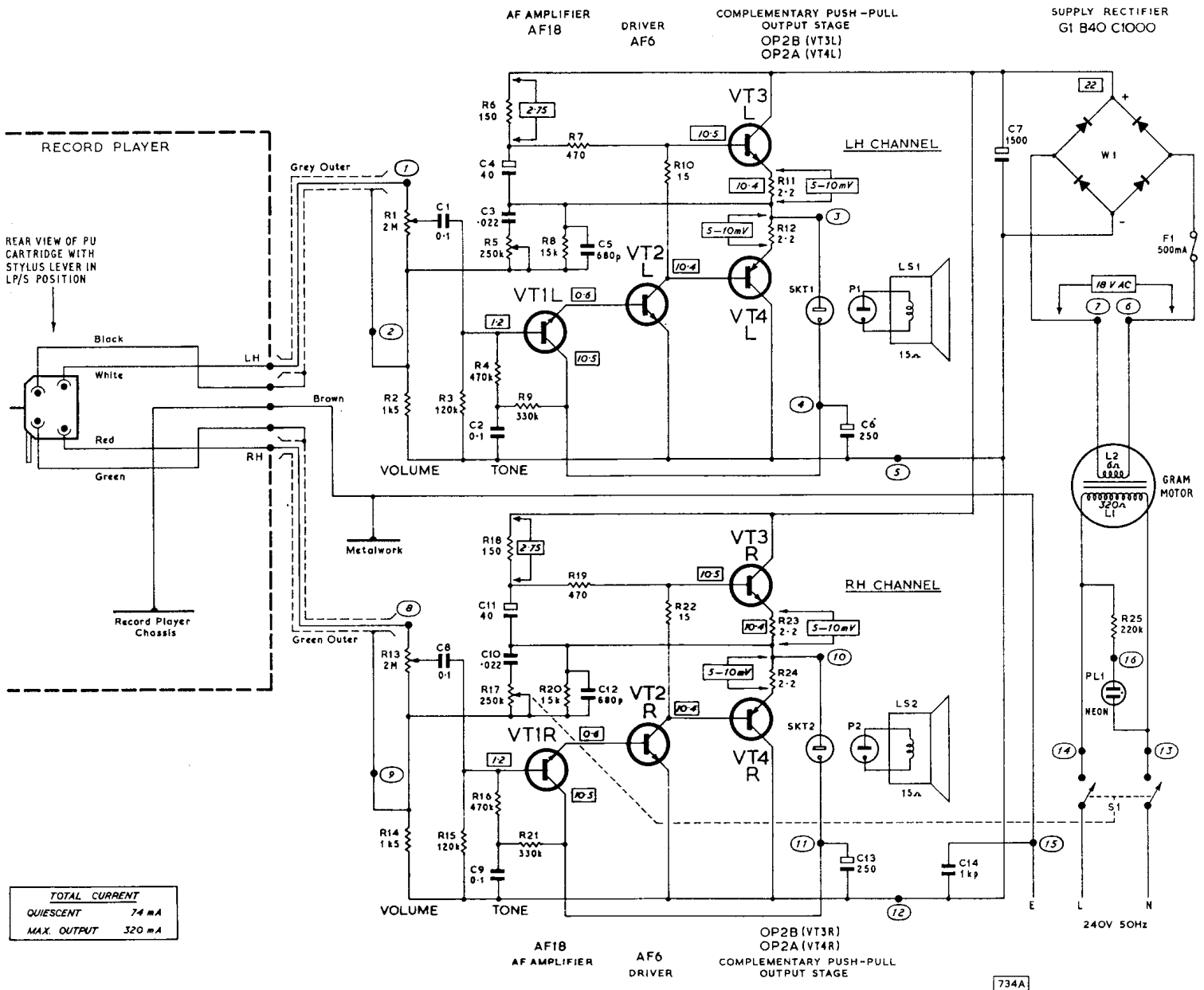
(1)	Cabinet base assembly	(Blue)	08A0-176/002
				(Orange)	08A0-176/001
(2)	Speaker box (front)	(Blue)	00X3-104/004
				(Orange)	00X3-104/002
(3)	Speaker box (rear)	(Blue)	00X3-104/005
				(Orange)	00X3-104/003
(4)	Control panel	(Blue)	08A4-206/002
				(Orange)	08A4-206/001
(5)	Motor board assembly	(Blue)	00X3-104/001
				(Orange)	00X3-104
(6)	Control panel trim	08C2-008/002
(7)	Control knob	03M4-056/006
	Clip	03L3-001
	Finger guard	03A3-008/002
(8)	Neon lens	03C8-080
	Grommet	08C3-007/002
(9)	Cabinet latch	08A9-010/010
	Screw	SW03RP05/N
	Speaker cover/cable tidy	08A1-134
(10)	Foot	08A8-005/013
(11)	Loudspeaker socket (2-pin DIN)	08F6-067

Chassis Assembly

Printed board assembly LH channel	08M3-766
Printed board assembly RH channel	08M3-767
Printed board mounting bracket	08B1-296
Printed board sub-chassis	08B1-321
Heat sink clip	03B1-011
Screw	SZ06HP04
Mains lead cleat	00L4-004
Screw	SW04RP04

Record Player

Motor and turntable assembly type BSR M.100	08D8-026
Screw	SB04KK16
Nut	NFHB04
Washer	WSPB04
Pickup arm and rest assembly	08D8-027
Cartridge, BSR type SX5M	00X2-489
Turnover stylus, type ST8	00X1-691



CIRCUIT DIAGRAM

Voltage measurements shown in rectangles were taken with a 20,000 ohm per volt meter and were measured relative to the negative chassis line except where indicated otherwise. Ringed figures denote tag connections on the component sides of the printed board.

COMPONENT DETAILS

When ordering replacement capacitors and resistors for which no part numbers are given, please quote Model number and component details as stated below.

CAPACITORS

REF	DESCRIPTION & PART NO.	LOC
C1	0.1 μ F, 10%, 250V, VT1L input coupling ...	E1,2
C2	0.1 μ F, 10%, 250V, VT1L base bias decoupling ...	E2
C3	0.022 μ F, 10%, 250V, Part tone control network (LH) ...	EF2
C4	40 μ F, Elec., 16V, VT2L supply decoupling, 00E0-227/004 ...	EF2
C5	680pF, 20%, 400V, Part tone control network (LH) ...	F2
C6	250 μ F, Elec., 18V, Output coupling, 00E0-229/072 (LH) ...	E2
C7	1500 μ F, Elec., 30V, Supply reservoir, 00E0-230/015 ...	D2
C8	0.1 μ F, 10%, 250V, VT1R input coupling ...	B1,2
C9	0.1 μ F, 10%, 250V, VT1R base bias decoupling ...	B2
C10	0.022 μ F, 10%, 250V, Part tone control network (RH) ...	C2
C11	40 μ F, Elec., 16V, VT2R supply decoupling, 00E0-227/004 ...	BC2
C12	680pF, 20%, 400V, Part tone control network (RH) ...	C2
C13	250 μ F, Elec., 18V, Output coupling, 00E0-229/072 (RH) ...	B2
C14	1000pF, 10%, 300V AC, Printed circuit isolating ...	A1,2

RESISTORS

REF	DESCRIPTION & PART NO.	LOC
R1	2M Ω , Log. pot., Volume control (LH), 08E1-009/018 ...	F1,2
R2	1.5k Ω , $\frac{1}{4}$ W, 10%, Pickup isolating (LH) ...	F2
R3	120k Ω , $\frac{1}{4}$ W, 5%, Pickup matching (LH) ...	E2
R4	470k Ω , $\frac{1}{4}$ W, 5%, VT1L bias feed ...	E2
R5	250k Ω , Rev. log. pot., Tone control (LH), 08E1-009/021 ...	DE2
R6	150 Ω , $\frac{1}{4}$ W, 5%, DC dropper and decoupler (LH) ...	F3
R7	470 Ω , $\frac{1}{4}$ W, 5%, VT2L collector load ...	F2,3
R8	15k Ω , $\frac{1}{4}$ W, 10%, Part tone control network (LH) ...	F2
R9	330k Ω , $\frac{1}{4}$ W, 5%, VT1L base bias ...	E2
R10	15 Ω , $\frac{1}{4}$ W, 5%, Output bias stabilizing (LH) ...	F2
R11	2.2 Ω , $\frac{1}{4}$ W, $\pm\frac{1}{2}\Omega$, VT3L emitter current limiting ...	F2
R12	2.2 Ω , $\frac{1}{4}$ W, $\pm\frac{1}{2}\Omega$, VT4L emitter current limiting ...	F2
R13	2M Ω , Log. pot., Volume control (RH), 08E1-009/018 ...	C1,2
R14	1.5k Ω , $\frac{1}{4}$ W, 10%, Pickup isolating (RH) ...	C2
R15	120k Ω , $\frac{1}{4}$ W, 5%, Pickup matching (RH) ...	B2
R16	470k Ω , $\frac{1}{4}$ W, 5%, VT1R bias feed ...	B2
R17	250k Ω , Rev. log. pot. (with S1) Tone control (RH), 08E1-009/021 ...	B1,2
R18	150 Ω , $\frac{1}{4}$ W, 5%, DC dropper and decoupler (RH) ...	C3
R19	470 Ω , $\frac{1}{4}$ W, 5%, VT2R collector load ...	C2,3
R20	15k Ω , $\frac{1}{4}$ W, 10%, Part tone control network (RH) ...	C2
R21	330k Ω , $\frac{1}{4}$ W, 5%, VT2R base bias ...	B2
R22	15 Ω , $\frac{1}{4}$ W, 5%, Output bias stabilizing (RH) ...	C2
R23	2.2 Ω , $\frac{1}{4}$ W, 5%, VT3R emitter current limiting ...	C2
R24	2.2 Ω , $\frac{1}{4}$ W, $\pm\frac{1}{2}\Omega$, VT4R emitter current limiting ...	C2
R25	220k Ω , $\frac{1}{4}$ W, 10%, Neon lamp series ...	A2

MISCELLANEOUS

REF	DESCRIPTION & PART NO.	LOC
F1	Fuse 500mA surge-proof, 08E6-004/001 ...	E3
	Fuse holder, 08F6-074 ...	—
LS1-2	Loudspeaker, elliptical, 15 Ω , 08E3-006/007 ...	—
	Nut, NFHB04 ...	—
	Washer, WPLB04 ...	—
L1-2	Record player motor (part record player) ...	GH2
P1-2	Loudspeaker plug (2-pin DIN), 08F6-016 ...	†
PL1	Neon lamp type UD651H, 08E6-010 ...	C3
S1	Off/On switch (with R17) ...	B1,2
SKT1-2	Loudspeaker socket (2-pin DIN), 08F6-067 ...	*
	Spire fixing nut, 08L3-028 ...	*
W1	Supply rectifier, 08E9-013 ...	DE2

* Fitted on cabinet.

† Fitted on loudspeaker lead.