

ACCESS FOR SERVICE

Record Changer and Amplifier

Secure the record changer by means of the transit screws and remove the ventilation panel from inside cabinet (3 screws). Remove two front feet and also two screws from back of cabinet to release record changer assembly. Lift record changer from left-hand side and place on its right-hand edge on the cabinet floor. The amplifier chassis is secured to the cabinet front panel by three nuts, insulators and washers: remove these and the control knobs, unplug loudspeaker leads then lift amplifier and record changer from cabinet.

To separate the assemblies, unsolder motor leads from chassis tag panel and unplug pickup leads, taking note of connections to ensure correct reassembly.

COMPONENT DETAILS

When ordering replacement capacitors and resistors for which no part numbers are given, please quote Model number and component details as stated below.

CAPACITORS

REF	DESCRIPTION
C1	2000pF, 20%, 3000V, Pickup isolating
C2*	32μF, Elec, 300V, V1 SG decoupling
C3	.05μF, 20%, 500V, Part tone control network
C4*	25μF, Elec, 25V, V1 cathode bypass
C5*	32μF, Elec, 300V, HT smoothing
C6	1000pF, 20%, 3000V, Record player chassis isolating
C7	2000pF, 20%, 3000V, Pickup isolating
	*Combined unit—Part No. 00E0-236/001.

RESISTORS

REF	DESCRIPTION & PART NO.
R1*	2M Ω, Log. pot, Volume control, 08E1-008/053
R2	100k Ω, 1/2W, 20%, V1 grid stopper
R3	15k Ω, 1/2W, 20%, V1 screen HT feed
R4	390 Ω, 1/2W, 10%, V1 cathode bias
R5*	25k Ω, Lin. pot, Tone control, 08E1-008/054
R6	100 Ω, 5%, 3W fusible, V2 current limiter
	*Insulated spindle.

MISCELLANEOUS

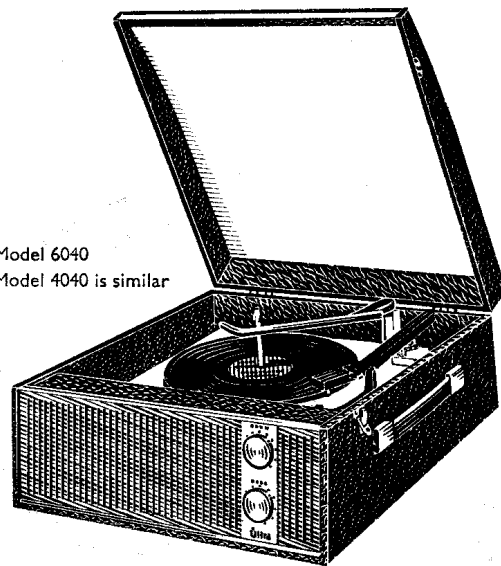
REF	DESCRIPTION & PART NO.
LS	Loudspeaker, 08E3-006/001 Nut, NFHB04
S1a-b	On-Off switch—with R5
TI	Output transformer, 08D3-018/001 Screw, SZ06HP04

The manufacturers reserve the right to vary specifications or use alternative materials as may be deemed necessary or desirable at any time.

BRC service manual

Price: One shilling

MARCONIPHONE **4040** ULTRA **6040**



Model 6040
Model 4040 is similar

SPECIFICATION

Mains Voltage Range: 230-250V AC 50Hz.

Power Consumption: Approximately 38 watts at 240V.

Valves: V1—10P18/UL84,
V2—U381/UY85.

Amplifier Output: 2 watts at 5% harmonic distortion.

Record Changer: BSR AA47 four-speed automatic with pickup cartridge Type X3H and turnover stylus ST8.

Loudspeaker: 7in. × 4in. elliptical, 3 ohm speech coil.

BRITISH RADIO CORPORATION LIMITED

SERVICE DEPOTS

LONDON:

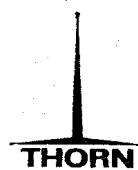
P.O. Box No. 121, Eley's Estate, Angel Road, Edmonton, N.18.
Tel. 01-807 3060 Ansafone Spares Service Tel. 01-807 6332

MANCHESTER:

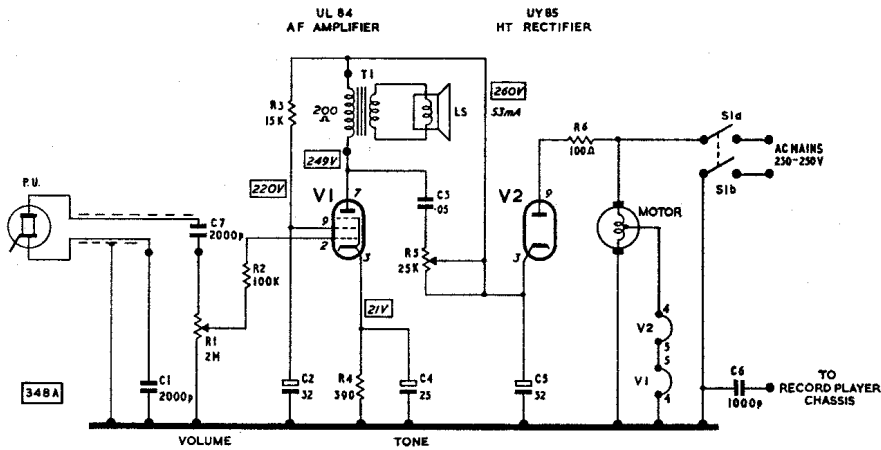
Thorn House, Derby Street, Cheetham
Manchester Tel. 061-832 2499

GLASGOW:

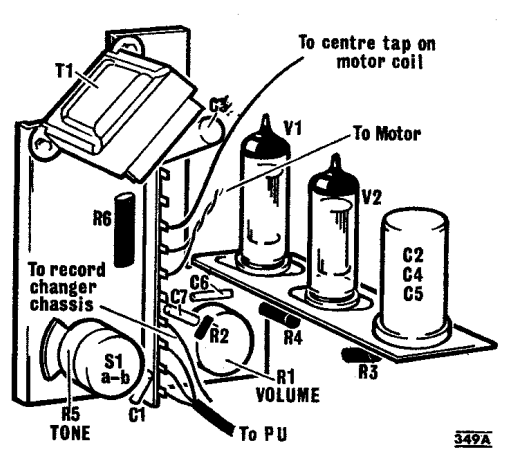
160-162 Battlefield Road, S.2.
Tel. 041-632 9251/2/3/4



British Radio Corporation Limited is a member
of the Thorn Group

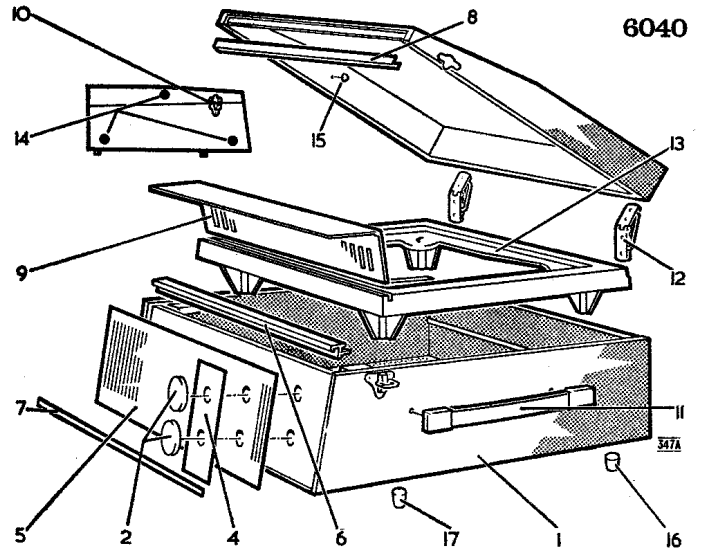
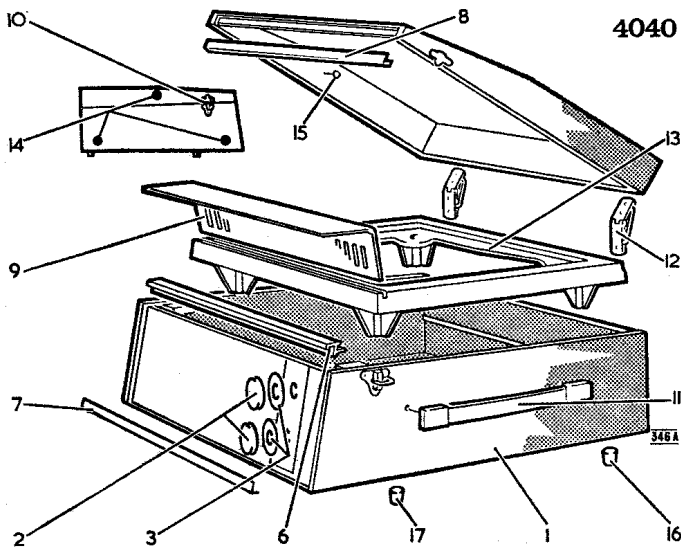


CIRCUIT DIAGRAM (Both models). DC voltages were measured with a 20,000 ohm/volt meter and a mains input of 240V AC.



Component location diagram (both models).

REPLACEMENT PARTS



Cabinet Assembly

	Model 4040	Model 6040
(1) Cabinet and lid—green/orange	08A0-126/001	
Cabinet and lid—grey	08A0-126/002	
Cabinet and lid—red	08A0-126/003	
Cabinet and lid—dark blue		08A0-127/001
Cabinet and lid—mauve		08A0-127/003
Cabinet and lid—yellow		08A0-127/002
(2) Control knob (clip 03L3-027; felt washer 08F7-007) ...	03M4-034/021	03M4-034/021
(3) Escutcheon (pin 08L5-002)	08A4-093/001	
(4) Control escutcheon		08A4-164
(5) Speaker grille		08A1-116
(6) Front top trim	08C2-007/001	08C2-008
(7) Front bottom trim	08A2-093	08A2-094
(8) Lid trim	08A2-092	08A2-092
(9) Ventilation panel—screw (2) SA06MP16/C; —screw (1) SA06MP08	08A1-122/001	08A1-122/001
(10) Lid catch assembly (screw SW03RP04/N)	08A9-010/005	08A9-010/005
(11) Handle (dome nut 08L6-012)	08A9-027/001	08A9-027/001
(12) Lid hinge (screw SA06TP06/N)	08A9-009/003	08A9-009/003
Transfer inside lid	00A6-052	
(13) Moulded motor board (rear screw SA08MP14/C; screw SB02TP14; clip 08L2-022)	08A1-100/001	08A1-100/001
(14) Foot (side)	08A8-005/001	08A8-005/001
(15) Foot insert	08A8-005/022	08A8-005/022
(16) Foot (bottom rear)	08A8-005/003	08A8-005/003
(17) Foot (bottom front)	08A8-011/002	08A8-011/002

Record Changer

	Both Models
BSR AA47 Record changer with X3H cartridge	08D8-023/012
X3H cartridge	0X1-900
ST8 turnover styli	0X1-691
Centre spindle	0X2-488
Transit bolt	0X1-621
Transit washer	00L6-014/144
Motor (90 volt tapped)	0X0-999

Chassis Assembly

	Both Models
Loudspeaker (nut NFHB04)	08E3-006/001
Valve holder B9A	00F2-030
10-way tag strip	08F3-010
Valve retainer (V2)	00B5-073/001
Valve retainer (V1)	00B5-073/002
Output transformer retaining screw	SZ06HP04
Cable cleat	00L4-003
Chassis spacer and washer	08L7-014
Ventilation panel support bracket (nut NFHB04; washer WTLB02)	08B1-248
Cable clamp (on motor board)	08C8-090

"Marconiphone" products are made to a standard of design and quality approved by The Marconiphone Co. Ltd., registered proprietor of the name and signature trademarks.