

MARCONIPHONE

SERVICE MANUAL

PRIVATE AND CONFIDENTIAL
TO THE TRADE ONLY



Models 559,
575, and 576

6-Valve De-Luxe
All-Wave Table
Grand, Radiogram
and Autogram

Erratum (Models 557, 567)	page	2
General Note (559, 575 and 576)	2
Specification	2
Dismantling	4
Circuit Diagrams	5
Spare Part List	6

JULY

1 9 3 7

PART NO.
2 6 2 7 7

ERRATUM—MODELS 557, 567

The tag numbers on the loudspeaker panel were given incorrectly in the circuit diagram contained in the Service Manual, and should be as follows :—

The connection from the secondary of the output transformer T1 to the speaker is coloured yellow, and not green/black. The chassis side of the loudspeaker field coil is connected to tag No. 6 and the negative side of the field to tag No. 7. It will be seen that this agrees with the extra loudspeaker switch wiring as shown on page 4, which is correct.

The circuit diagram on page 5 of this manual indicates the correct wiring of the loudspeaker.

MODELS 559, 575, 576

GENERAL NOTE

These models have the same basic circuit as the 6-valve all-wave receivers, Models 557, 567, with the addition of a cathode ray type visual tuning indicator (Y63), its associated resistance R25, and modified mains transformer, which supplies an additional filament voltage (6.3 volts) for the Y63.

It will be noted from the circuit diagram that a new type of tone control, consisting of a variable condenser connected between the anode and grid of the output valve, is fitted to this model. Some models may be found to incorporate the old type switch tone control used on Models 557, 567, however, and some of the latter models will incorporate the new tone control.

SPECIFICATION

VOLTAGE RANGE.

195–255 volts A.C.—50 to 100 cycles (Table Model).
50 to 60 cycles (Radiogram).

POWER CONSUMPTION.

Approximately 85 watts (Radio 70 watts, pilot lamp 15 watts) ; Gramophone, 115 watts.

FUSES.

It is recommended that this instrument is connected only to supply points protected with 2-amp. fuses.

SPEECH OUTPUT.

Approximately 3 watts (undistorted).
Anode dissipation of N42 or KT42 output valve, 10 watts.

WAVELENGTH RANGE.

Short Waves	16.5 to 52 metres.
Medium Waves	195 to 580 metres.
Long Waves	725 to 2,000 metres.

DIMENSIONS.

			Height.	Width.	Depth.
Model 559	20 inches.	18 inches.	11½ inches.
Models 575 and 576	45 "	24½ "	18 "

WEIGHT.

Model 559	39 lb. net, 49 lb. gross.
Model 575	108 lb. net, 190 lb. gross.
Model 576	133 lb. net, 214 lb. gross.

VALVES.

Marconi W42	H.F. Amplifier.
„ X42	Frequency Changer.
„ W42	I.F. Amplifier.
„ DH42	Second Detector.
„ N42 or KT42*	Output Valve.
„ U12	H.T. Rectifier.
„ Y63	Tuning Indicator.

* This is interchangeable with and replaces N42.

LOUDSPEAKER.

No. 24460N.

D.C. resistance of speech coil	4 ohms.
Impedance at 800 cycles	5 ohms.
D.C. resistance of field	1,600 ohms.

PICK-UP (Models 575, No. 17670Q or 28060C).

D.C. resistance, 850 ohms.

A 7,500 ohm resistance is connected across this pick-up (at the pick-up plugs) for matching purposes.

MOTOR AND AUTO BRAKE (Model 575).

Type 24H. Induction disc motor. See separate Service Manual already issued.

The auto brake is No. 230E, standard friction feed type.

AUTO MECHANISM (Model 576).

No. 14820AK or 14820AL. See separate Service Manual already issued.

CONNECTING A PICK-UP (Model 559).

A high resistance pick-up may be permanently connected to the sockets provided. Connect leads to top two sockets and screening to bottom socket.

The Marconiphone, No. 25, is recommended. A 7,500 ohm resistance should be wired across the pick-up for perfect matching. The wave-band switch is provided with a "Gram." position and the radio volume control is also operative on gramophone.

EXTRA LOUDSPEAKERS.

The speech coil impedance of the extra speakers for these models should not be less than 5 ohms. Two such speakers as the Marconiphone Models 144 or 196 can be connected without greatly reducing the volume of the in-built speaker.

The radiogram and auto-radiogram are provided with extra speaker sockets and switch : connection should be made to tags 2 and 6 on the L.S. panel on the table model.

DISMANTLING

MODEL 559

REMOVAL OF CHASSIS

1. Remove back and knobs.
2. Disconnect leads from tags 2, 6 and 7 on loudspeaker panel and remove fixing cleat.
3. Remove four fixing bolts from underside of cabinet. The chassis may now be withdrawn.
Note.—If uncleated the loudspeaker leads are sufficiently long to enable the chassis to be withdrawn for inspection without disconnecting the loudspeaker.

REMOVAL OF LOUDSPEAKER

1. Disconnect leads to speaker panel.
2. Remove four securing screws and withdraw speaker.

CONNEXIONS TO L.S. PANEL.

Tag No.	Wire colour.
2 Yellow.
6 Black.
7 Yellow/Black.

MODELS 575 & 576

REMOVAL OF CHASSIS

1. Remove backs and knobs.
2. Disconnect leads from L.S. switch, and motor leads; remove pick-up plugs.
3. Remove four fixing bolts from underside of cabinet shelf and withdraw chassis.

REMOVAL OF LOUDSPEAKER

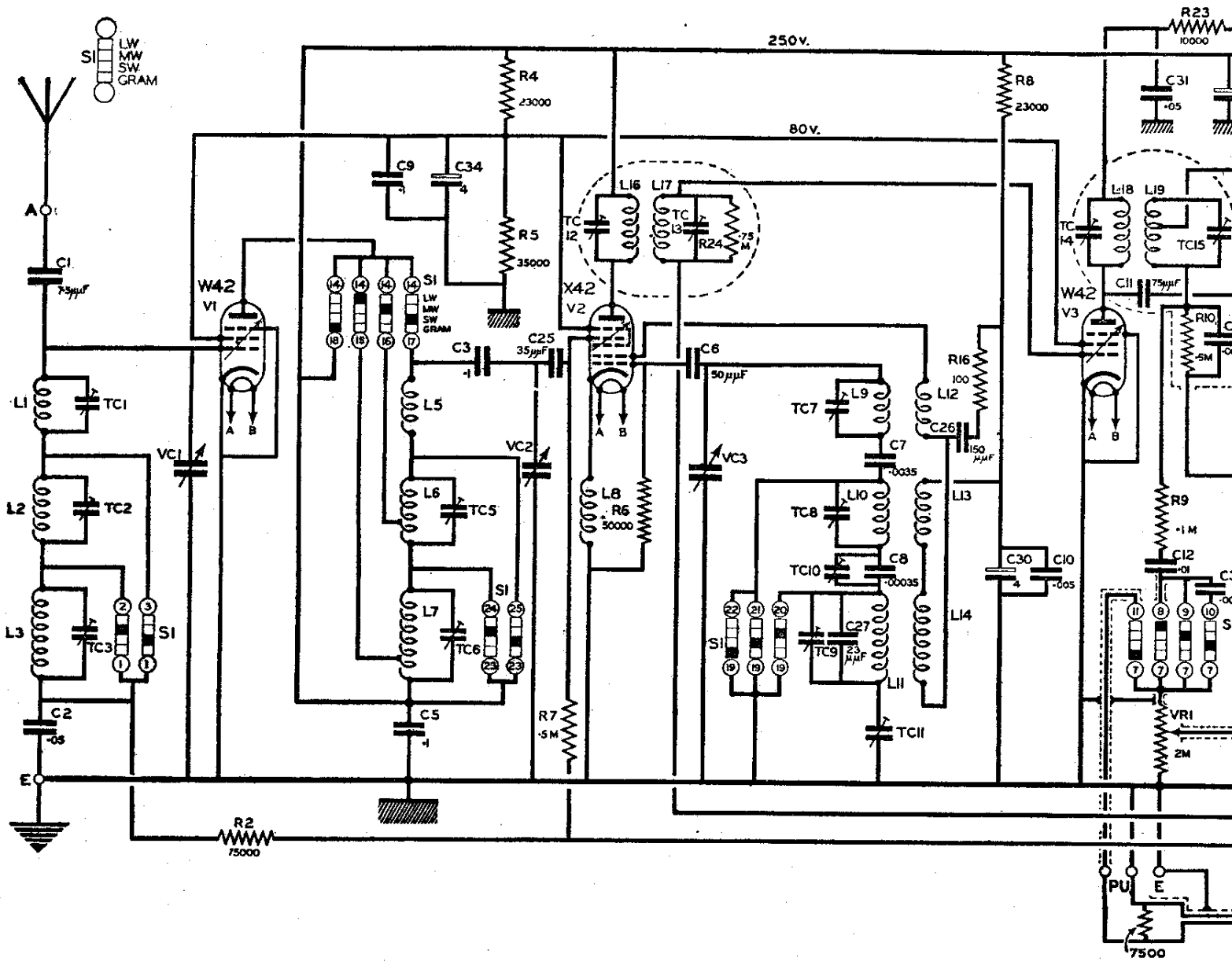
1. Disconnect leads to speaker panel.
2. Remove four securing screws and withdraw speaker.

CONNEXIONS TO LOUDSPEAKER

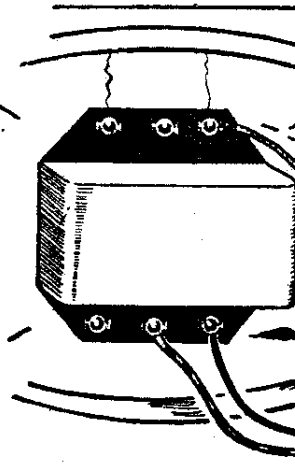
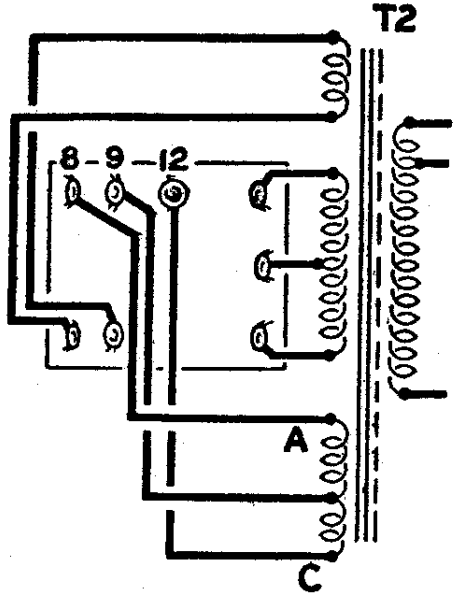
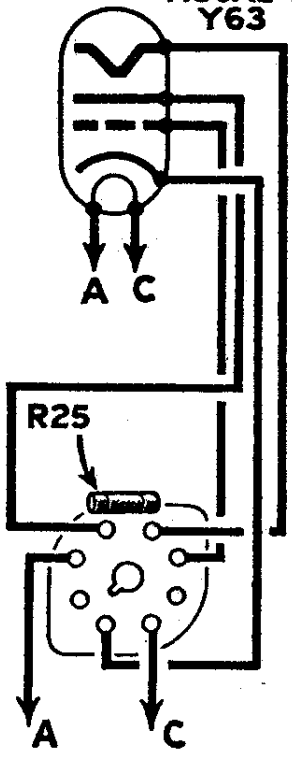
For connexions to loudspeaker and L.S. switch, see diagram on page 5.

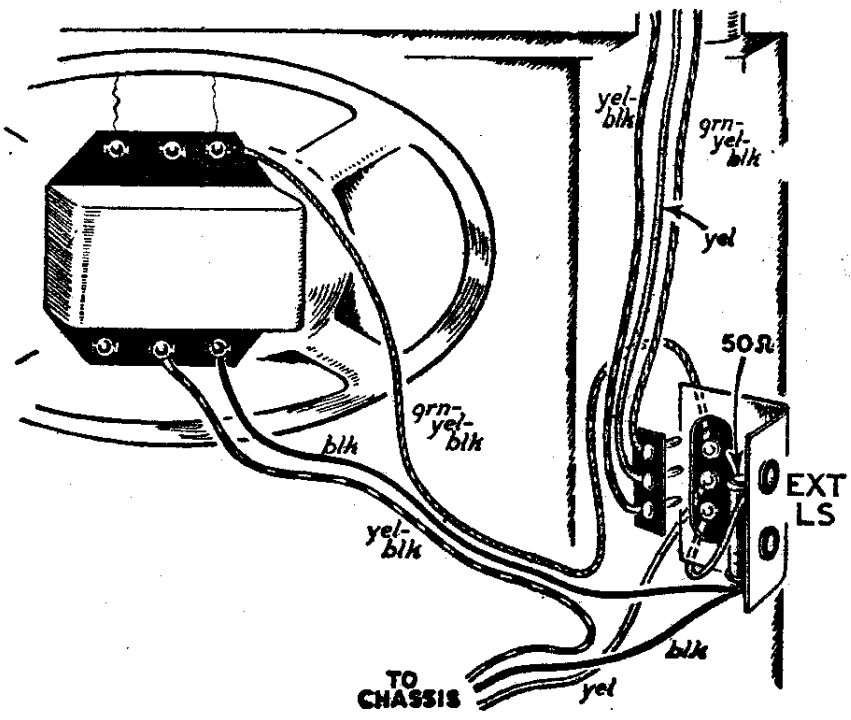
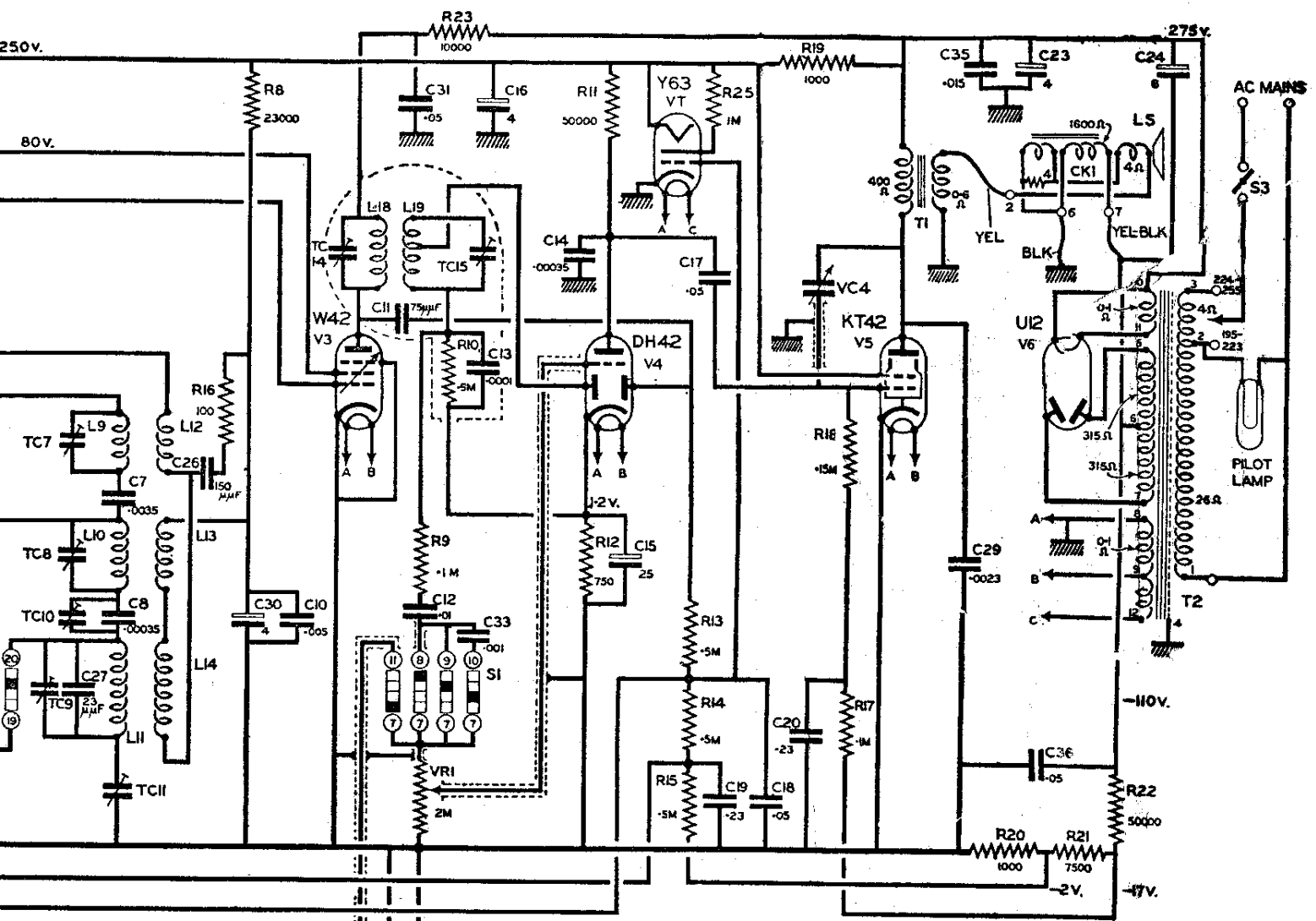
REMOVAL OF AUTO MECHANISM

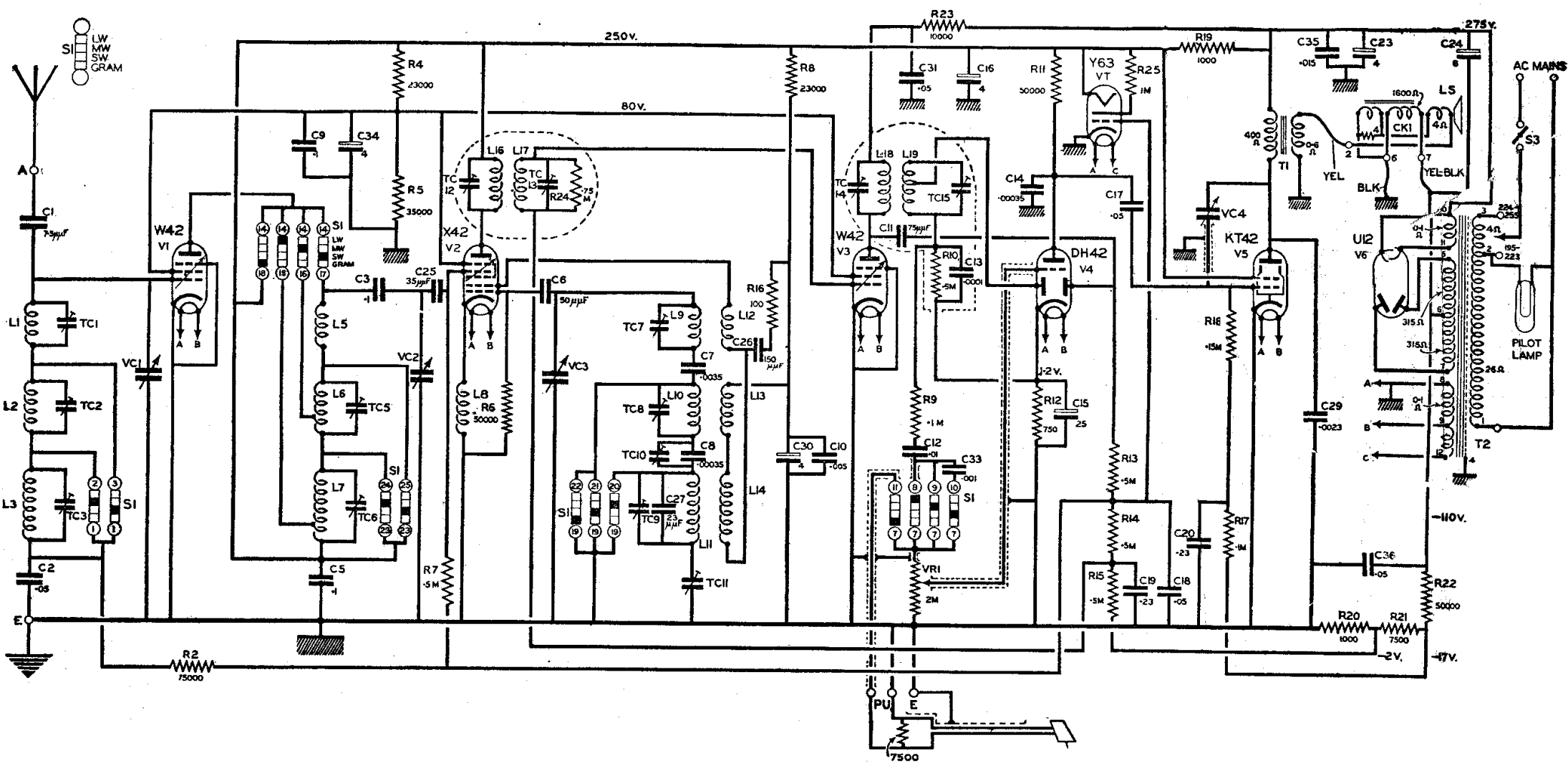
1. Trip the mechanism and revolve the turntable by hand until the record jaws occupy minimum space.
2. Remove record jaw knob, auto-hand-repeat knob, and turntable.
3. Remove seven screws securing motor board.
4. Unplug leads from loudspeaker switch (at the extra L.S. sockets), raise the pick-up to its vertical position and remove motor board.
5. Disconnect leads on the auto-mechanism, remove fixing bolts and remove mechanism.



VISUAL TUNER Y63







MODEL 559

SPARE PARTS LIST

Part No.	Description	Parts per Inst.	Finish	Retail List Price	Per
				£ s. d.	
	Model 559 is similar to Model 557 with the following exceptions:—				
82806	Cabinet label	1	—	0 0 1	Each.
26616	Instruction card	1	—	0 0 6	"
	CABINET PARTS				
82753B	Cabinet	1	Pol	4 0 0	Each.
8195	Rubber foot	4	—	0 0 8	Doz.
—	Baffle board, with insert nuts... ..	1	Std	0 3 9	Each.
14922	Insert nut	4	CB	0 1 4	Doz.
15832	Screw, securing baffle board	10	—	0 0 2	"
26618	Wire mesh	1	AnBr	0 4 0	Each.
19273	Pin, securing wire mesh to baffle	4	—	0 0 1	Doz.
—	Felt for wire mesh, $\frac{1}{8}$ -in., S1429, 225/82316	—	—	0 0 9	Sq. Ft.
—	Felt for wire mesh, $\frac{1}{4}$ in., S1459, 225/84316	—	—	0 1 0	"
26615A	Cabinet back	1	—	0 2 0	Each.
	RADIO UNIT				
26100H	Radio unit	1	—	9 18 0	Each.
26120B	T2—Mains transformer	1	—	0 15 6	"
19202P	R25—1 megohm resistance	1	—	0 0 9	"
18146M	C35—0.015 mfd.	1	—	0 1 0	"
	Condenser drive and tuning details (in full).				
26156A	Gear assembly, with springs	1	—	0 0 9	"
24045	Spring	2	—	0 0 1	"
13387	Screw, securing gear assembly to spindle of condenser	2	WN	0 0 3	Doz.
26154A	Plate, with bearing bush for intermediate gear	1	AI Sp	0 0 4 $\frac{1}{2}$	Each.
1021	Washer	2	WN	0 0 3	Doz.
11627	Nut	2	WN	0 0 6	"
26161A	Intermediate gear, with drive disc	1	—	0 0 9	Each.
24833K	Drive mechanism	1	—	0 3 0	"
26114	Outer spindle	1	CP	0 1 0	"
26115	Inner spindle	1	—	0 0 4 $\frac{1}{2}$	"
3658	Ball	3	—	0 0 2	Doz.
24832	Ball retaining washer	2	—	0 0 1	Each.
24834	Ring	1	—	0 0 9	Doz.
11328	Screw } securing ring to base casting	4	WN	0 0 2	"
25092	Spring }	4	—	0 0 6	"
11222	Screw } securing drive mechanism to plate	2	WN	0 0 2	"
3166	Washer, S.P. }	2	—	0 0 2	"
21823B	Disc drive assembly	1	—	0 0 3	Each.
11805	Screw, P.K., securing disc drive assembly to drive mechanism	1	—	0 0 6	Doz.
26159A	Pointer	1	CBLocal	0 0 3	Each.
13893	Screw, securing pointer to gear assembly	2	WN	0 0 8	Doz.
26606B	Tuning scale	1	—	0 2 6	Each.
26147	Clamp, L.H. } securing scale	1	CdP	0 0 1	"
26607	Clamp, R.H. }	1	CdP	0 0 1	"
8777	Screw, P.K. }	4	—	0 0 6	Doz.
26600A	Scale frame assembly complete with reflectors and screen	1	LBzEn WMEn Local	0 3 0	Each
8777	Screw, P.K., securing frame assembly to chassis	4	—	0 0 6	Doz.
26136A	Lampholder	1	—	0 0 9	Each.
26135A	Lamp	1	—	0 3 0	"
26608A	Indicator bracket, with bearing bush	1	CdP	0 0 6	"
26609	Washer plate } securing indicator bracket	1	CdP	0 0 2 $\frac{1}{2}$	Doz.
11219	Screw }	2	WN	0 0 3	"
3166	Washer, S.P. }	2	—	0 0 2	"
26610B	Indicator disc, with sprocket (printed)	1	—	0 0 7 $\frac{1}{2}$	Each.
26612	Bearing pin	1	WN	0 0 3	"
13387	Screw, securing pin	1	WN	0 0 3	Doz.
10615	Circlip, securing disc	1	WN	0 0 2	"

SPARE PART LIST—continued.

MODELS 559 & 575

Part No.	Description.	Parts per Inst.	Finish	Retail List Price	Per
RADIO UNIT—continued					
				£ s. d.	
18751A	Drive sprocket	1	—	0 0 8	Each.
13387	Screw, securing sprocket to switch spindle	2	WN	0 0 3	Doz.
26138B	Chain	1	—	0 0 4½	Each.
27956	Spring	1	—	0 0 1½	"
26613A	Bracket and clamp for V.T.	1	CdP	0 0 4½	"
24369	Clamp	1	CdP	0 0 1	"
14791	Screw	2	WN	0 0 4	Doz.
3166	Washer, S.P.	2	—	0 0 2	"
26614	Clamp plate	1	CdP	0 0 3	"
11219	Screw	2	WN	0 0 3	"
3166	Washer	2	—	0 0 2	"
26005D	V.T. lead and panel, with R25	1	—	0 2 3	Each.
26620A	V.T. lead	1	—	0 1 0	"
26005B	V.T. panel	1	—	0 0 6	"
—	Y63—Visual tuner	—	—	—	—
<p>The following modifications may be found on both Models 557 and 559. C21, C22 and S2 are deleted and the following added :—</p>					
10611U	VC4—Tone control	1	—	0 3 6	Each.
12441	Nut, securing VC4	1	WN	0 0 1	"
25484	Mounting panel, for VC4	1	—	0 0 1	"
14519	Rivet, securing-panel	4	—	0 0 1	Doz.
<p>On some 557 models the silk for speaker is replaced by—</p>					
25479	Wire mesh	1	AnBr	0 4 6	Each.
—	Felt for wire mesh, ⅛ in., S1429, 225/82316	—	—	0 0 9	Sq. Ft.
<p>And on some 557 models the glass window for tuning scale and tuning escutcheon are replaced by—</p>					
26569	Window	1	—	0 2 9	Each.
26570	Tuning escutcheon	1	—	0 1 0	"
18146D and 18146M	C17—0.05 mfd. condenser	1	—		
	C35—0.015 mfd. condenser	1	—		
	May be replaced by—				
26300W and 26300Q	C17—0.05 mfd. condenser	1	—	0 1 3	Each.
	C35—0.015 mfd. condenser	1	—	0 1 0	"
MODEL 575					
Instructions.					
82806	Cabinet label	1	—	0 0 1	Each.
26638	Instruction card	1	—	0 0 6	"
22291	Short wave guide	1	—	0 0 6	"
26111	Voltage adjustment label	1	—	0 0 1½	"
25821	Transit label... ..	1	—	0 0 1	"
4896	Oiling diagram	1	—	0 0 1	"
8936	Transfer "Close lid whilst playing"	1	—	0 0 1	"
CABINET PARTS AND FITTINGS					
83138E	Cabinet	1	Pol	17 0 0	Each.
9359	Dome, for base	4	Pol	0 0 1	"
—	Lid, with felt	1	Pol	3 5 0	"
8809A	Lid, hinge	1	BzP	0 2 5	"
9525	Lid hinge screw... ..	16	BzP	0 0 2	Doz.
6208T	Lid stay	1	BzP	0 6 6	Each.
9561	Lid stay screw	4	BzP	0 0 2	Doz.

Part No.	Description	Parts per Inst.	Finish	Retail List Price	Per
CABINET PARTS AND FITTINGS—continued					
				£ s. d.	
9290A	Lid lock	1	BzP	0 2 6	Each.
V3769	Lid lock keeper	1	BzP	0 0 4	"
9958	Lid lock and keeper screws	4	BzP	0 0 2	Doz.
9776	Lid lock escutcheon	1	BzP	0 0 4	Each.
18636	Lid lock escutcheon pins	2	—	0 0 1	Doz.
9778	Lid lock key	1	BzP	0 0 6	Each.
83168A	Motor board	1	Pol	1 5 9	"
8684	Motor board screw	6	BzP	0 0 6	Doz.
14670	Motor board lifting knob	1	BzP	0 0 6	Each.
18884	Motor board lifting knob screw	1	WN	0 0 4	Doz.
—	Baffle board, with insert nuts... ..	1	Std	0 5 6	Each.
14922	Insert nut, for loudspeaker	4	CB	0 1 4	Doz.
9526	Screw, 1-in.	3	—	0 0 3	"
15832	Screw, 1½-in. } securing baffle board	3	—	0 0 2	"
15834	Screw, 2-in. }	4	—	0 0 4	"
26643A	Wire mesh	1	AnBr	0 10 0	Each.
19272	Pin, securing wire mesh to baffle	6	—	0 2 3	"
83165	Front bar, for speaker opening	2	Pol	0 5 6	"
9524	Screw, securing front bars	6	—	0 0 4	Doz.
—	Felt, for lid and top of cabinet body, S999, 225/85501	—	—	0 0 9	Sq. Ft.
—	Felt, for wire mesh, ½ in., S1429, 225/82316	—	—	0 0 9	"
—	Felt, for wire mesh, ¼ in., S1459, 225/84316	—	—	0 1 0	"
24873	Bracket, for cabinet back	6	CdP	0 0 1	Each.
2418	Screw, securing bracket	12	—	0 0 3	Doz.
26641A	Cabinet back (printed)	1	—	0 3 9	Each.
19896	Screw } securing cabinet back... ..	6	ParB	0 0 1	"
19895	Washer }	6	ParB	0 0 4	Doz.
26105	Tuning escutcheon	1	—	0 1 0	Each.
9545	Screw, securing tuning escutcheon	4	BzP	0 0 3	Doz.
26106	Window	1	—	0 0 2	Each.
26128	Rubber (long)	2	—	0 0 4½	Doz.
26129	Rubber (short)	2	—	0 0 2	"
26107	Clamp	4	—	0 0 4½	"
14791	Screw	4	BzP	0 0 4	"
21406B	A. & E. panel, with sockets, lead and plugs	1	—	0 1 3	Each.
22287A	A. E. lead, with plugs	1	—	0 0 9	"
16289B	Plug, black	1	—	0 0 2	"
16289J	Plug, yellow	1	—	0 0 2	"
9559	Screw, securing panel to back of cabinet	2	WN	0 0 4	Doz.
26635A	Bracket, with panel and sockets for ext. L.S.	1	—	0 1 6	Each.
11531G	Panel, with three sockets	1	—	0 0 3	"
13803	Rivet, securing panel	2	—	0 0 3	Doz.
19104AA	50 ohm resistance	1	—	0 1 0	Each.
9559	Screw, securing bracket to back of cabinet	2	WN	0 0 4	Doz.
LEADS, ETC.					
26176B	Extra L.S. lead. (From L.S. to sockets on cabinet)	1	—	0 1 0	Each.
23991C	Extra L.S. lead. (From L.S. to sockets on cabinet)	1	—	0 0 6	"
Note.—Lead from radio unit is part of that unit.					
22997C	Motor lead, with fixing cleat and two tags	1	—	0 1 0	"
11892	Cleat	1	AcD	0 0 6	Doz.
19829	Tag	2	—	0 0 2	"
22998A	Motor earth lead, with two tags	1	—	0 0 3	Each.
3338	Tag	1	—	0 0 6	Doz.
11802	Tag	1	—	0 0 3	"
26179A	Panel, with three pins for Ext. L.S. lead	1	—	0 0 3	Each.
8227A	Mains plug	1	—	0 1 7	"
Note.—Mains lead is part of radio unit.					
16289J	Plug, yellow	2	—	0 0 2	"
16289B	Plug, black	2	—	0 0 2	"
18888A	Carton, for mains lead and plugs	1	—	0 0 1	"
7155	Cleat	1	WN	0 0 1	"
2418	Screw, securing cleat	1	WN	0 0 3	Doz.
16578	Cleat (with lip)	2	WN	0 0 6	"
8602	Screw, securing cleat	2	WN	0 0 2	"

SPARE PART LIST—continued.

MODEL 575

Part No.	Description	Parts per Inst.	Finish	Retail List Price	Per.
				£ s. d.	
CONTROLS.					
24371	Knob—Tuning (large)	1	—	0 0 7	Each.
24855A	Knob—"Tuner"	1	ChF	0 0 7	"
17054F	Knob—"Volume"	1	ChF	0 0 7	"
27748	Knob—Tone	1	—	0 0 6	"
17054S	Knob—"Wave Band"	1	ChF	0 0 7	"
17054V	Knob—Ext. L.S.	1	GF	0 0 7	"
11805	Screw, P.K., securing volume, wave band and extra L.S. knobs	3	—	0 0 6	Doz.
11773	Grub screw, securing tuner and tone knobs	2	WN	0 0 5	"
MOTOR BOARD FITTINGS					
394W	Turntable	1	BzP	0 5 5	Each.
3569	Felt	1	Brown	0 0 6	"
282	Friction band	1	—	0 0 2	"
13869	Spring ring	1	—	0 0 6	Doz.
1002	T.T. clip	1	ChP	0 0 6	"
24H	Motor (for spares, see Motor Spare Parts list)	1	BzP	2 17 6	Each.
2405	Screw	3	WN	0 0 2	"
25621	Spacer	3	WN	0 0 9	Doz.
1039	Washer	3	WN	0 0 2	"
3460	Spring washer	3	—	0 0 3	"
2440A	Speed regulator screw	1	BzP	0 0 4	Each.
4698A	Speed regulator escutcheon	1	BzP	0 0 5	"
8717	Screw, securing regulator escutcheon	2	BzP	0 0 2	Doz.
230E	Auto brake	1	BzP	0 7 3	Each.
2418	Screw, securing auto brake	3	WN	0 0 3	Doz.
246	Indicator plate	1	BzP	0 0 4	Each.
2418	Screw, securing indicator plate	2	BzP	0 0 4	Doz.
9430	Needle bowl	1	AcD	0 0 4	Each.
4369	Needle bowl cover	1	—	0 0 9	"
3484	Needle bowl support	1	WN	0 0 2	"
9932	Needle bowl support screw	3	WN	0 0 2	Doz.
18899	Needle box clip	1	BzP	0 0 6	Each.
2418	Screw, securing clip	2	BzP	0 0 4	Doz.
15969A	P.U. rest	1	BzP	0 0 9	Each.
2418	Screw, securing rest	2	BzP	0 0 4	Doz.
17670V	Pick-up (for spares, see Model 567 S.P. List)	1	—	1 12 0	Each.
17495	Trade mark insert	1	—	—	"
9547	Screw, securing P.U.	3	BzP	0 0 4	Doz.
21490F	Extra L.S. switch	1	—	0 2 0	Each.
26637	Bracket, for switch	1	CdP	0 0 1½	"
14724	Screw	2	BzP	0 0 1½	"
3166	Washer, S.P. } securing bracket to motor board	2	—	0 0 2	Doz.
11628	Nut	2	WN	0 0 4	"
Alternatively the following low-angle pick-up may be fitted:—					
28060C	Pick-up	1	—	1 12 0	Each.
28060	Pick-up arm	1	—	0 1 6	"
28063A	Pick-up head assembly... ..	1	—	0 10 0	"
28063	Pick-up head moulding... ..	1	—	0 0 9	"
16101	Pole piece	2	WN	0 1 9	"
16113	Screw, securing pole pieces	4	WN	0 0 8	Doz.
16109	Armature	1	CdP	0 0 6	Each.
16103	Armature pivot	2	—	0 0 6	Doz.
16102	Damping rubber	1	—	0 0 1	Each.
16104	Damping rubber clamp	1	WN	0 0 5	Doz.
16126	Screw, securing clamp	2	WN	0 0 4	"
17856	Needle screw	1	BzSp	0 0 1½	Each.
16110	Magnet	1	—	0 2 1	"
16111A	Coil	1	—	0 2 0	"
16119	Insulating sleeve, for lead joints	3	—	0 0 10	Doz.
16106	Lead clamp	1	WN	0 0 7	"
16118	Bracket supporting lead cover	1	CB	0 0 1	Each.
11238	Screw, securing bracket and lead clamp	1	BzP	0 0 2	Doz.
21036	Fibre washer	1	—	0 0 2	"

Part No.	Description	Parts per Inst.	Finish	Retail List Price	Per
				£ s. d.	
MOTOR BOARD FITTINGS—continued					
16115	Rubber pad	2	—	0 0 6	Doz.
16112	Screw, securing pickup head to arm	1	WN	0 0 1	Each.
19156A	Pickup lead	1	—	0 1 3	"
16700	Lead cover	1	—	0 0 3	Doz.
18769	Bracket ... }	1	BMEn	0 0 1½	Each.
11237	Screw ... } supporting rear end of lead cover				
16122	Support pillar	1	—	0 0 11	Each.
16121	Fixing base	1	—	0 0 8	"
16107A	Spring and anchor rings	1	OB	0 0 2	"
16108	Spring anchor	1	WN	0 0 6	Doz.
16114	Pivot screw, for P.U. Arm	1	BzP	0 0 1½	Each.
3519	Ball	8	—	0 0 1½	Doz.
17001	Spacer, for balls	1	WN	0 0 3	Each.
16128	Stop screw	1	BzP	0 0 8	Doz.
16127A	Brake arm and pin	1	BzP	0 0 11	Each.
11228	Screw, securing brake arm	3	BzP	0 0 4	Doz.
RADIO UNIT.					
26100H	Radio unit	1	—	9 18 0	Each.
25631	Screw	4	WN	0 0 9	Doz.
14748	Washer ... }				
10173C	Spring washer ... }	4	—	0 0 2	"
11206	Transit screw				
24778	Plate	2	Red head	0 0 3	"
10173	Spring washer	2	WN	0 0 6	"
—	Y63—Visual tuning indicator	—	—	—	—
LOUDSPEAKER					
24460N	Loudspeaker	1	—	1 0 0	Each.
11213	Screw	4	WN	0 0 2	Doz.
3167	Washer, S.P. ... }				
MODEL 576					
Parts different from, or additional to, those on Model 575 :—					
83138D	Cabinet	1	Pol	18 0 0	Each.
83106A	Motor board	1	Pol	0 14 6	"
13266	Motor board screw	7	BzP	0 0 1	"
26644B	P.U. lead with connecting panel and resistance	1	—	0 2 3	"
11802	Tag	3	—	0 0 3	Doz.
26179A	Connecting panel	1	—	0 0 3	Each.
24150S	7,500 ohm resistance	1	—	0 0 9	"
23172B	Motor lead, with four tags	1	—	0 0 9	"
11802	Tag	2	—	0 0 3	Doz.
19829	Tag	2	—	0 0 2	"
16996	Knob—Auto mech., setting, 10-in. or 12-in.	1	—	0 1 0	Each.
17061	Knob—Hand auto. repeat	1	—	0 0 7	"
11368	Screw, securing knobs	1	BzP	0 0 6	Doz.
MOTOR BOARD FITTINGS					
13266	Motor board screw	7	BzP	0 0 1	Each.
11590A	Hand auto repeat escutcheon	1	BzP	0 1 0	"
17530	Regulator escutcheon	1	BzP	0 0 3	"
17484	P.U. rest, escutcheon	1	BzP	0 0 4	"
11124	Push button escutcheon	1	BzP	0 0 3	"
18899	Needle box clip	1	BzP	0 0 6	"
9545	Screw, securing escutcheons and clip	10	BzP	0 0 3	Doz.

SPARE PART LIST—continued.

MODEL 576

Part No.	Description.	Parts per Inst.	Finish	Retail List Price	Per
MOTOR BOARD FITTINGS—continued					
				£ s. d.	
9430	Needle bowl	1	AcD	0 0 4	Each.
4369	Needle bowl cover	1	—	0 0 9	"
3484	Needle bowl support	1	WN	0 0 2	"
8718	Screw, securing support	3	WN	0 0 2	Doz.
21490F	Extra L.S. switch	1	—	0 2 0	Each.
26637	Bracket, for switch	1	CdP	0 0 1½	"
14724	Screw	2	BzP	0 0 2½	"
3166	Washer, S.P. } securing bracket to motor board	2	—	0 0 2	Doz.
11628	Nut	2	WN	0 0 4	"
14820AK	Auto Mechanism	1	—	12 0 0	Each.
26647	Bolt	3	WN	0 0 1½	Doz.
26645	Plate	3	WN	0 0 6	"
3168	Washer, S.P.	3	—	0 0 2	"
24778	Plate (square with corners turned up)	3	WN	0 0 6	"
26646	Nut (square)	3	WN	0 0 1	Each.
11626	Nut	3	WN	0 0 9	Doz.
11625	Turntable extension spindle (short)	1	NG	0 0 4	Each.
Parts of auto mechanism different from or additional to those in K3 Spare Parts List.					
18670K	Motor	1	—	3 0 0	Each.
18668P	Coil unit	1	—	0 16 6	"
16095N	1 mfd. condenser	1	AlSp	0 1 9	"
Other spares for motor are as on 18670A motor in Motor Spare Parts List.					
3531	Washer } securing motor	3	WN	0 0 2	Doz.
18955	Screw }	3	WN	0 0 1	Each.
18954A	Turntable, with felt	1	BzP	0 10 0	"
17925	Felt	1	Brown	0 0 6	"
18958	Taper collar	1	WN	0 0 10	"
11155	Screw, securing collar	2	WN	0 0 3	Doz.
18998	Pin, for motor spindle	1	WN	0 0 2	"
18052	Knurled eccentric collar (28)	1	WN	0 0 1	Each.
11228	Screw, securing collar	1	WN	0 0 4	Doz.
5876	Washer (for 31—tripping bar)	1	WN	0 0 2	"
14907	Hand lever extension	1	WN	0 0 6	"
11228	Screw } securing hand lever extension	2	WN	0 0 4	"
3820	Washer }	2	WN	0 0 2	"
18644A	Muting switch	1	—	0 1 6	Each.
18644	Bracket for muting switch	1	CdP	0 0 2	"
16207	Contact bracket	1	—	0 0 4	"
10801D	Spring contact, flat	1	—	0 0 2	"
10801C	Spring contact, pointed	1	—	0 0 2	"
12037	Insulating bush	1	—	0 0 1	"
18645	Insulating strip	1	—	0 0 3	Doz.
11436	Screw } securing contacts to contact bracket	1	WN	0 0 4	"
12460	Nut }	1	WN	0 0 6	"
10845	Screw, securing contact bracket to switch bracket	2	WN	0 0 2	"
18754A	Muting switch lead	1	—	0 0 10	Each.
19147	Clamp, for lead	1	WN	0 0 1	"
11220	Screw, for clamp	1	WN	0 0 2	Doz.
10579K	Terminal panel and brackets	1	—	0 1 6	Each.
17670Q	P.U. and arm	1	—	1 12 0	"
17494	Trade mark insert	1	—	0 1 6	"
17670	P.U. arm	1	—	0 10 0	"
16120B	P.U. head assembly	1	—	0 0 6	Doz.
16115	Pad	2	—	0 0 1	Each.
16112	Screw, securing head assembly to arm	2	WN	0 0 3	Doz.
16700	Lead cover	1	—	0 0 5	"
11237	Screw } securing lead cover	1	BzP	0 0 1½	Each.
18769	Bracket }	1	BME n	0 1 4	"
14983A	P.U. lead	1	—	0 0 1	"
11894	Sleeve	1	—	0 0 1	"
16114	Pivot screw	1	BzP	0 0 1½	"
For parts of P.U. support, see K3 Spare Parts List.					

Part No.	Description.	Parts per Inst.	Finish	Retail List Price	Per
				£ s. d.	
MOTOR BOARD FITTINGS—continued					
Alternatively the following low-angle pick-up may be fitted :—					
28060B	Pick-up	1	—	1 12 0	Each.
28060	Pick-up arm	1	—	0 1 6	”
28063A	Pick-up head assembly	1	—	0 10 0	”
28063	Pick-up head moulding	1	—	0 0 9	”
16101	Pole piece	2	WN	0 1 9	”
16113	Screw, securing pole pieces	4	WN	0 0 8	Doz.
16109	Armature	1	CdP	0 0 6	Each.
16103	Armature pivot	2	—	0 0 6	Doz.
16102	Damping rubber	1	—	0 0 1	Each.
16104	Damping rubber clamp	1	WN	0 0 5	Doz.
16126	Screw, securing clamp	2	WN	0 0 4	”
17856	Needle screw	1	BzSp	0 0 1½	Each.
16110	Magnet	1	—	0 2 1	”
16111A	Coil	1	—	0 2 0	”
16119	Insulating sleeve, for joints	3	—	0 0 10	Doz.
16106	Lead clamp	1	WN	0 0 7	”
16118	Bracket supporting lead cover	1	CB	0 0 1	Each.
21036	Fibre washer	1	—	0 0 2	Doz.
11238	Screw, securing bracket and lead clamp	1	BzP	0 0 2	”
16115	Rubber pad	2	—	0 0 6	”
16112	Screw, securing pick-up head to arm	1	WN	0 0 1	Each.
14983A	Pick-up lead	1	—	0 1 4	”
16700	Lead cover	1	—	0 0 3	Doz.
18769	Bracket } supporting rear end of lead cover	1	BME n	0 0 1½	Each.
11237	Screw }	1	BzP	0 0 5	Doz.
16114	Pivot screw for P.U. Arm	1	BzP	0 0 1½	Each.
11894	Sleeve for screw	1	—	0 0 1	”
For parts of P.U. support, see K3 Spare Parts List.					

“ FINISH ” CODE

AcD	Acid Dip	CP	Copper Plate
AlSp	Aluminium Spray	LBzEn	Light Bronze Enamel
AnBr	Antique Brass	NG	Nickel Gloss
BME n	Black Matt Enamel	Pol	Polished
BzP	Bronze Plate	ParB	Parkerised Black
BzSp	Bronze Spray	Std	Standard
CdP	Cadmium Plate	WME n	White Matt Enamel
CB	Camera Black	WN	White Nickel
ChF	Chrome Filled					

In order to expedite delivery of spare part orders, please quote :—

1. Model number and serial number.
2. Spare part number, description, and “ finish ” as given in the above list.
3. Quantity required.

Unless full particulars are quoted, delay in execution of orders must inevitably result.

Order spare parts from :—

E.M.I. SERVICE, LTD.,

SHERATON WORKS, HAYES, MIDDLESEX.

Telephone : Southall 2468.

Telegraphic Address : Service, Hayes, Middlesex.

The Company reserves the right to make any modifications without notice.