

## MARCONIPHONE 4008, 4014, ULTRA 6012, H.M.V. 2022, FERGUSON 3010

### portable record players

All of these record-players employ 7in×4in elliptical loudspeakers and have maximum outputs in the range 2.25W to 2.75W. The Marconiphone 4008 and Ferguson 3010 use a B.S.R. UA25 record-changer, and the Marconiphone 4014, Ultra 6012, and H.M.V. 2022 use a B.S.R. UA15 record-changer. In all models, the replacement stylus assembly is the ST5.

—there are three screws. Take out the screws around the edge of the motor-board and lift the motor-board from the left-hand side and place it on its rear edge diagonally across the floor of the cabinet. Take off the control knobs and remove the two screws thus revealed; the chassis will then be released.

#### RELEASE DATES AND ORIGINAL PRICES

Marconiphone 4008: 15gn; August 1965

Marconiphone 4014: £22 1s. 0d.;  
July 1966

Ultra 6012: £22 1s. 0d.; June 1966

H.M.V. 2022: 21gn; May 1966

Ferguson 3010: 17½gn; March 1965

#### DISMANTLING

##### Marconiphone 4008

Lock the record-changer by means of the transit-screws and remove the ventilation panel from inside the cabinet

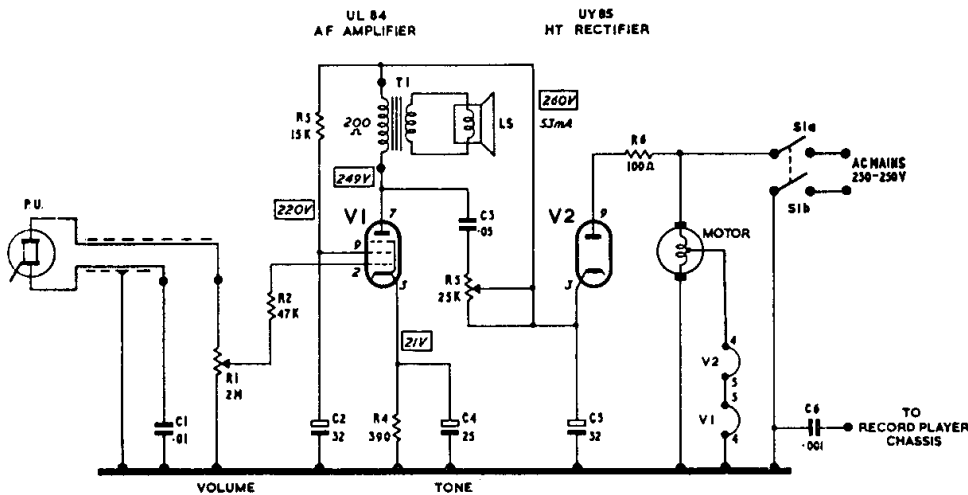


Fig. 1—The circuit diagram of the Marconiphone 4008.

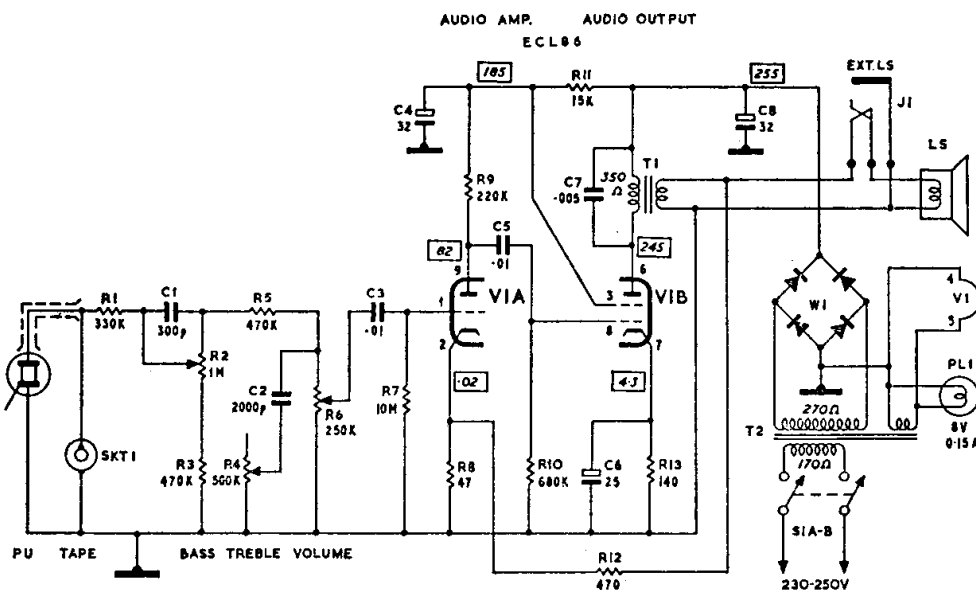
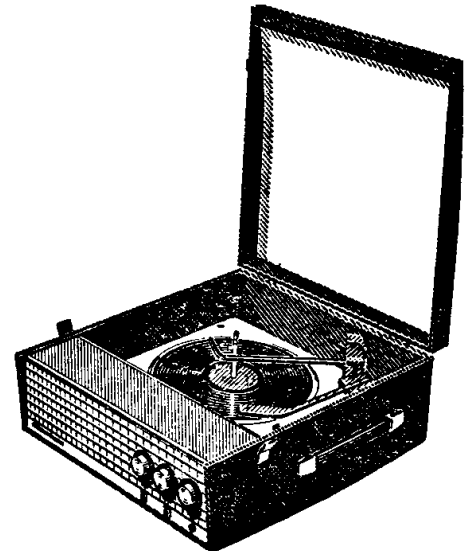


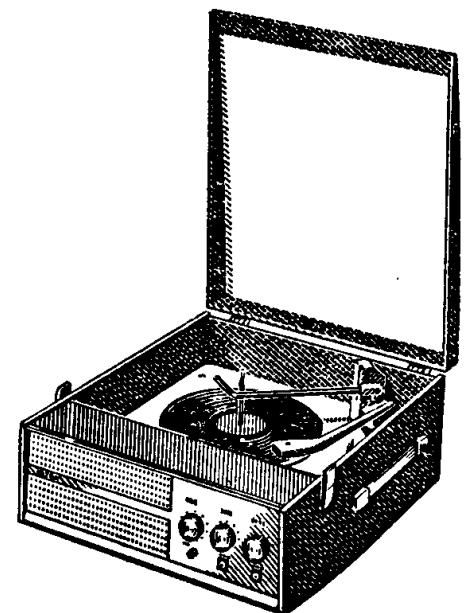
Fig. 2—The circuit of the Marconiphone 4014, the Ultra 6012, and the H.M.V. 2022.



The Marconiphone 4008



The Marconiphone 4014.



The Ultra 6012.

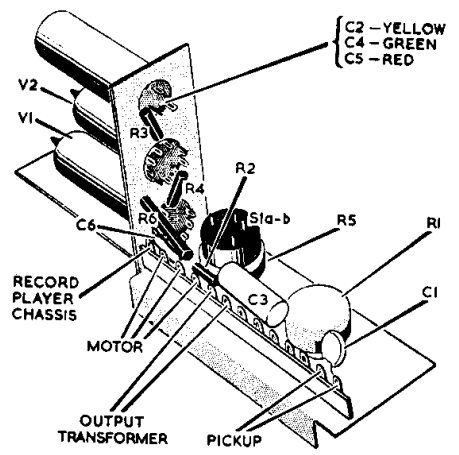
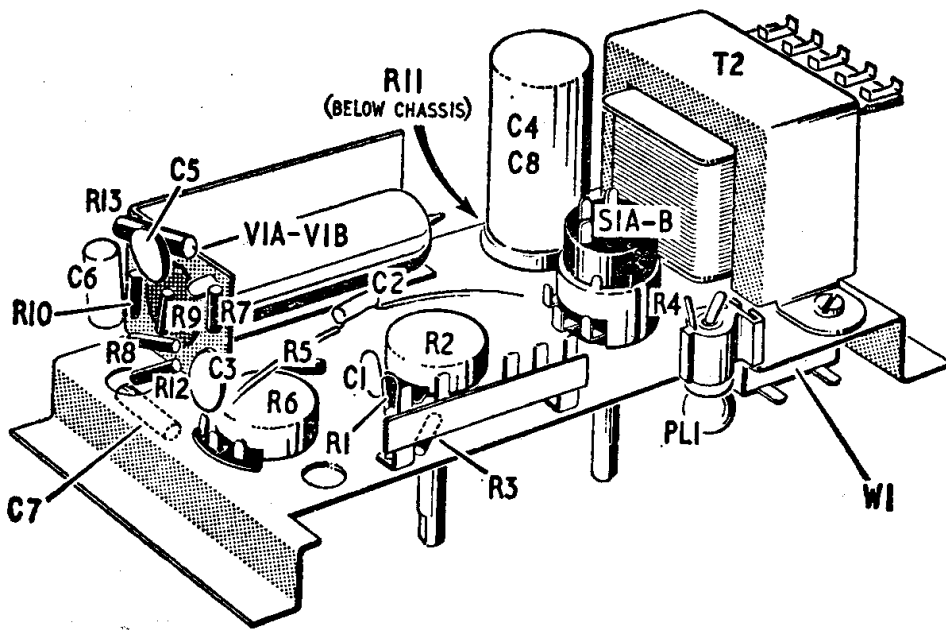


Fig. 3 (above)—The layout of the Marconiphone 4008.

Fig. 4 (left)—The layout of the Marconiphone 4014, the Ultra 6012, and the H.M.V. 2022.

To separate the assemblies, unsolder from the tag-panel on the amplifier all the leads to the motor-board and the leads of the output transformer. Make a note of the connections and the colour-coding.

The loudspeaker may be removed by taking out the ventilation panel and placing the motor-board diagonally across the floor of the cabinet. Take off the four nylon nuts fastening the loudspeaker to the front panel and then unsolder the two connections on the 13-way tag-strip after noting the positions and the colour-coding.

### Marconiphone 4014, Ultra 6012, H.M.V. 2022

Remove the top front-cover and take off the ventilation panel from the cabinet—there are two screws. Take out the screws and cup-washers along the edges of the motor-board. Lift the motor-board, tilting it slightly in order to clear obstructions, and rest it on its rear edge diagonally across the floor of the cabinet.

To remove the amplifier, release the clamp holding the mains lead and pull

off the control knobs. Remove the extension-loudspeaker and tape-socket connections from the tag-panel, making a note of the colour-coding for ease of re-assembly. Undo the four nuts which fasten the amplifier to the front panel and then lift out the amplifier to the extent permitted by the pick-up and loudspeaker leads.

### Ferguson 3010

Remove the ventilation panel from inside the cabinet—there are two screws. Take out the five screws and cup-washers from the edges of the motor-board and unscrew the transit-screws to secure the record-changer firmly. Lift the motor-board by the left-hand transit-screw and rest it diagonally across the floor of the cabinet on its rear edge. Pull off the control knobs and remove the nuts and washers to free the chassis from the inside of the cabinet.

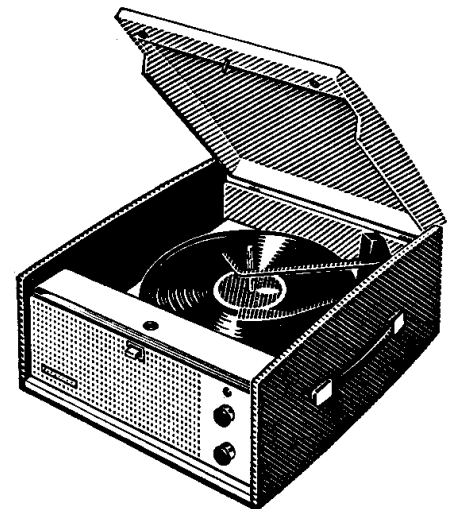
### Connections

To separate the assemblies, unsolder the pick-up leads and the earth lead for the motor-board from the amplifier tag-

panel. Pull off the loudspeaker tag connections. Note the positions of the connections and the colour-coding.

### Loudspeaker

To remove the loudspeaker, take off the ventilation panels from underneath and inside the cabinet. Undo the four nuts fastening the loudspeaker.



The Ferguson 3010.

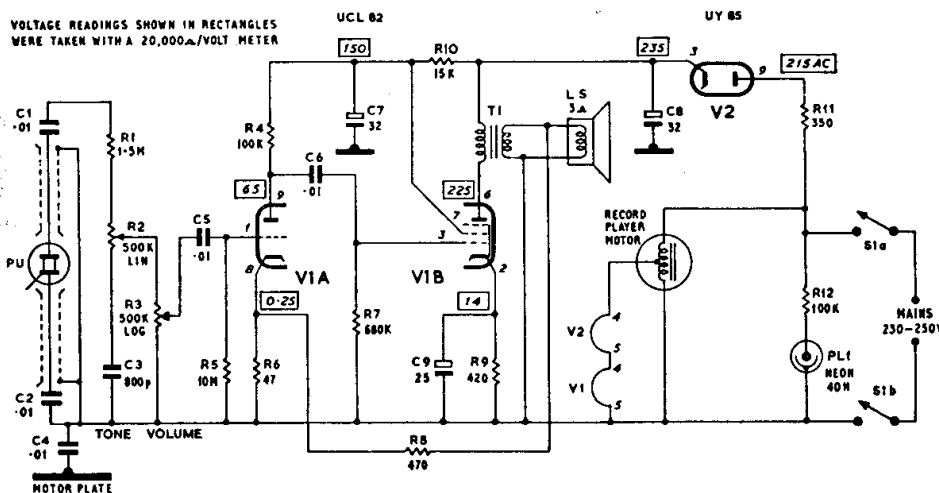


Fig. 5—The circuit of the Ferguson 3010.

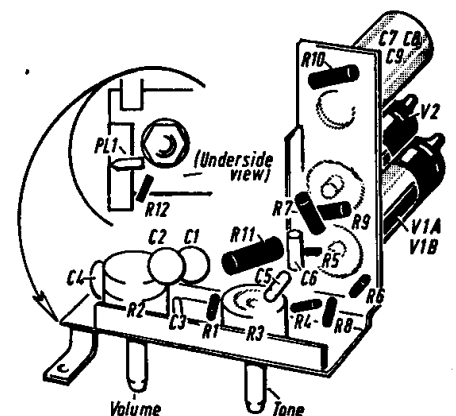


Fig. 6—The layout of the Ferguson 3010