



## MARCONIPHONE 4031, 4033 and 4025 stereo record players



These are eight-transistor stereo record players, differing mainly in presentation. The 4031 employs a BSR type M100 record player and incorporates 2-pin DIN connections for the loudspeakers. Models 4033 and later version of the 4025 (after serial number 9001) are identical electrically, but use a BSR C129 autochanger and standard 2-pin speaker plugs/sockets. All units are fitted with a BSR type SX5M cartridge with type ST8 turnover stylus.

### SERVICE NOTES

#### Dismantling

*Model 4031:* Take out four screws around edge of motor board. Lift motor board at rear, just sufficient to clear cabinet, and move it slightly rearward to clear lip at front of cabinet, then place motor board on edge across cabinet floor. This provides access to the chassis and to the 500mA anti-surge fuse.

*Model 4033:* Lift off loudspeakers by unlatching clasps on sides of cabinet, then remove front cover (two screws). Take out four screws—one from each side and two from rear of cabinet. Fully unscrew transit screws to lock autochanger and ensure that pickup is retained by its clip. Ease motor board forward to clear recess in cabinet back, then lift from left-hand side and place on its rear diagonally across the cabinet floor.

#### Chassis Removal

*All Models:* Pull off control knobs, then take off two nuts and washers securing chassis to cabinet, taking care not to lose two spacing washers. The complete chassis can then be removed from the cabinet after releasing the neon lamp from its holder and, if required, unsoldering the speaker leads from printed circuit board tags.

#### Record Player Removal

*Model 4031:* (Note that pickup arm is separately mounted.) Pull off pickup leads from tag panel on motor board, noting connections for correct reassembly. Unsolder motor mains feed lead from tag panel on right-hand channel printed-circuit board, also low tension leads from tag panel on left-hand channel printed-circuit board.

Release leads from cleat on motor board and take off three nuts and washers to enable the turntable and motor to be separated from the chassis.

To remove turntable, lift the 45 r.p.m. spindle adaptor and gently press the location lugs inward to free from the turntable, then take off the circlip securing the turntable and lift turntable clear of the motor unit. When replacing the turntable, ensure that the circlip engages into a slot on the motor spindle, then replace the 45 r.p.m. adaptor.

*Model 4033:* Pull off pickup leads from the tag panel on the motor chassis, noting connections for correct reassembly. Unsolder motor mains feed leads from the tag panel on the right-hand channel printed-circuit board, also the low tension leads from tag panel on the left-hand channel printed-circuit board.

Release the mains lead from its clamp on the underside of the record changer, screw transit screws fully in. Swivel spring clips into vertical position and prise off from transit screws to allow the washers to be removed, then separate the record changer and moulded motor board.

#### Stylus Replacement

*All Models:* Place the indicator flag in either LP or 78 position and apply gentle downward pressure and forward movement—this will release the stylus from its mounting. After replacement,

ensure that the stylus arm is engaged properly in the V-shaped fork of the cartridge.

#### Cartridge Replacement

*Model 4031:* Ease forward a small spring clip at the front end of the cartridge, then detach the leads from their pins at the rear of the cartridge—taking note of the colour coding to ensure correct connection after replacement.

**Note:** To avoid damage to the pickup arm or pickup, note position for each loudspeaker and ensure that the mains lead and plug are stowed on the left-hand side of the record player.

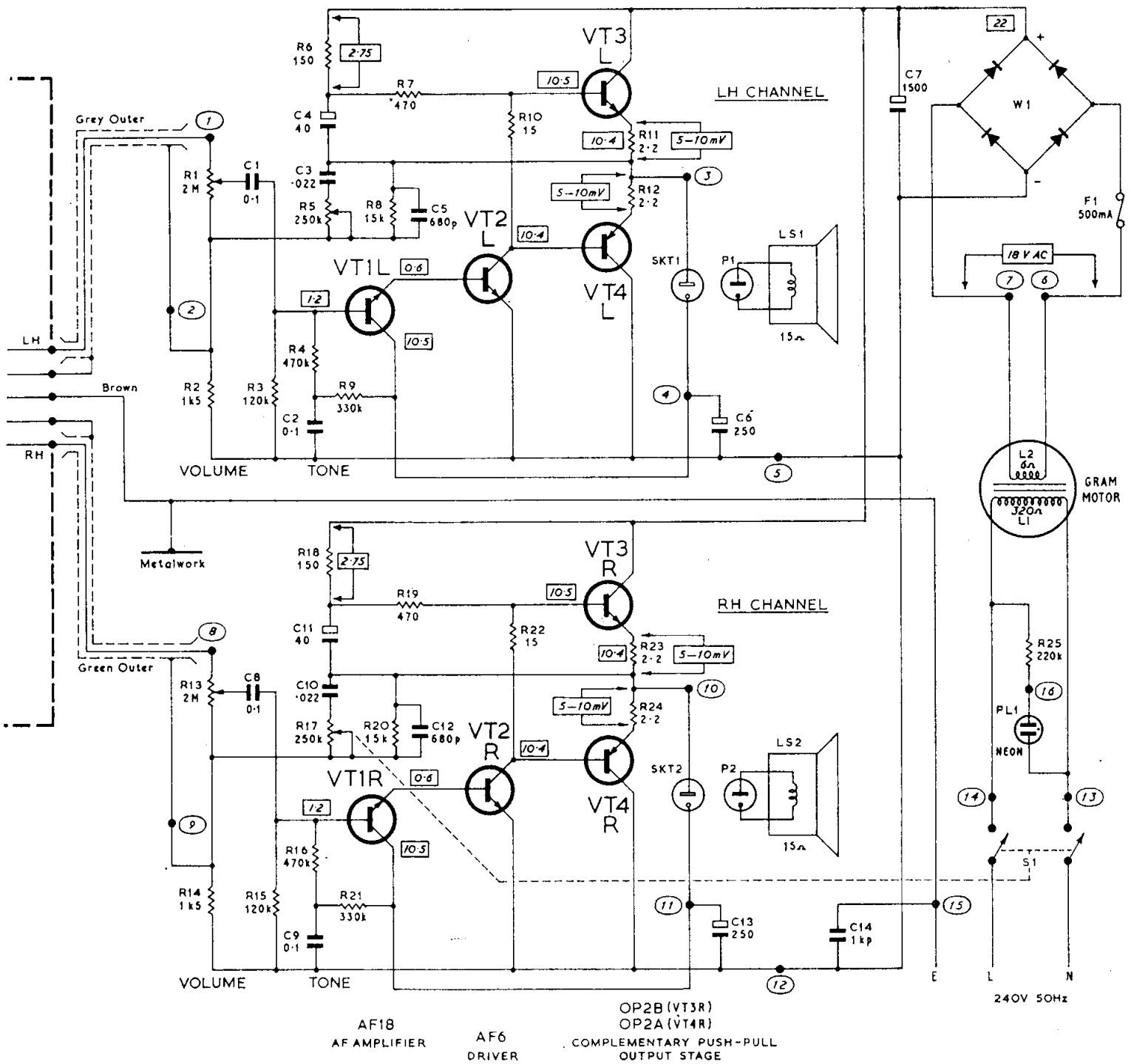
*Model 4033:* Take out screw in pickup head, then detach the leads from their pins at the rear of the cartridge, taking note of the colour coding to ensure correct connection after replacement.

**Note:** To avoid damage to the pickup arm or pickup, note position for each loudspeaker and ensure that the overarm has been moved to clear the loudspeaker cable tidy, by pressing down the overarm at the pedestal end and moving to the right to lock down in transit position. Also ensure that the mains lead and plug are stowed on the left-hand side of the record player.

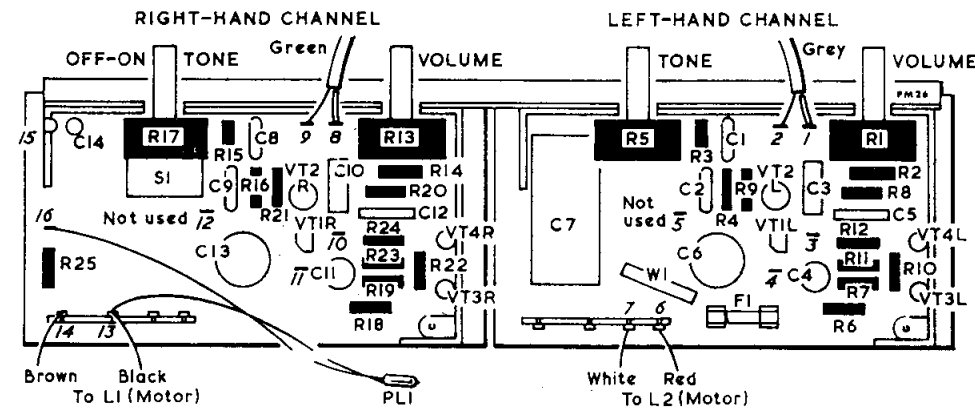
#### Replacement Transistors

These are obtainable from BRC service depots quoting the classification numbers shown in the circuit diagram. Suitable Mullard types, available from wholesalers, are: VT1L, VT1R—BC148; VT2L, VT2R—BC107; VT3L, VT3R—AC176; VT4L, VT4R—AC128.

OP2A (VT4L)



Voltage measurements shown in rectangles on the circuit diagram were taken with a 20,000Ω/V meter and are positive with respect to negative chassis line except where otherwise indicated. Total current consumption is 74mA (quiescent), 320mA (maximum output). Ringed figures denote tag connections on the component sides of the p.c. boards.



Printed circuit boards as viewed from the component sides. This diagram refers to Model 4031. For Models 4033 and later versions of Model 4025 (after serial number 9001), the colour coding for the motor leads is as follows: to tag 14—brown; to tag 13—blue; to tag 7—white; to tag 6—white.