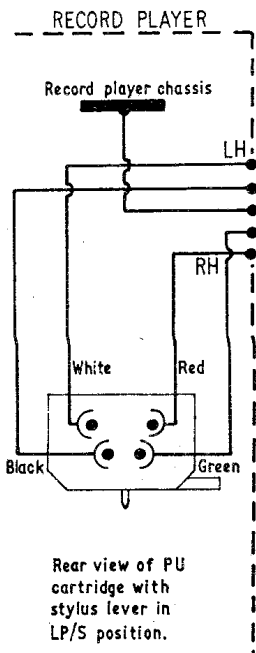
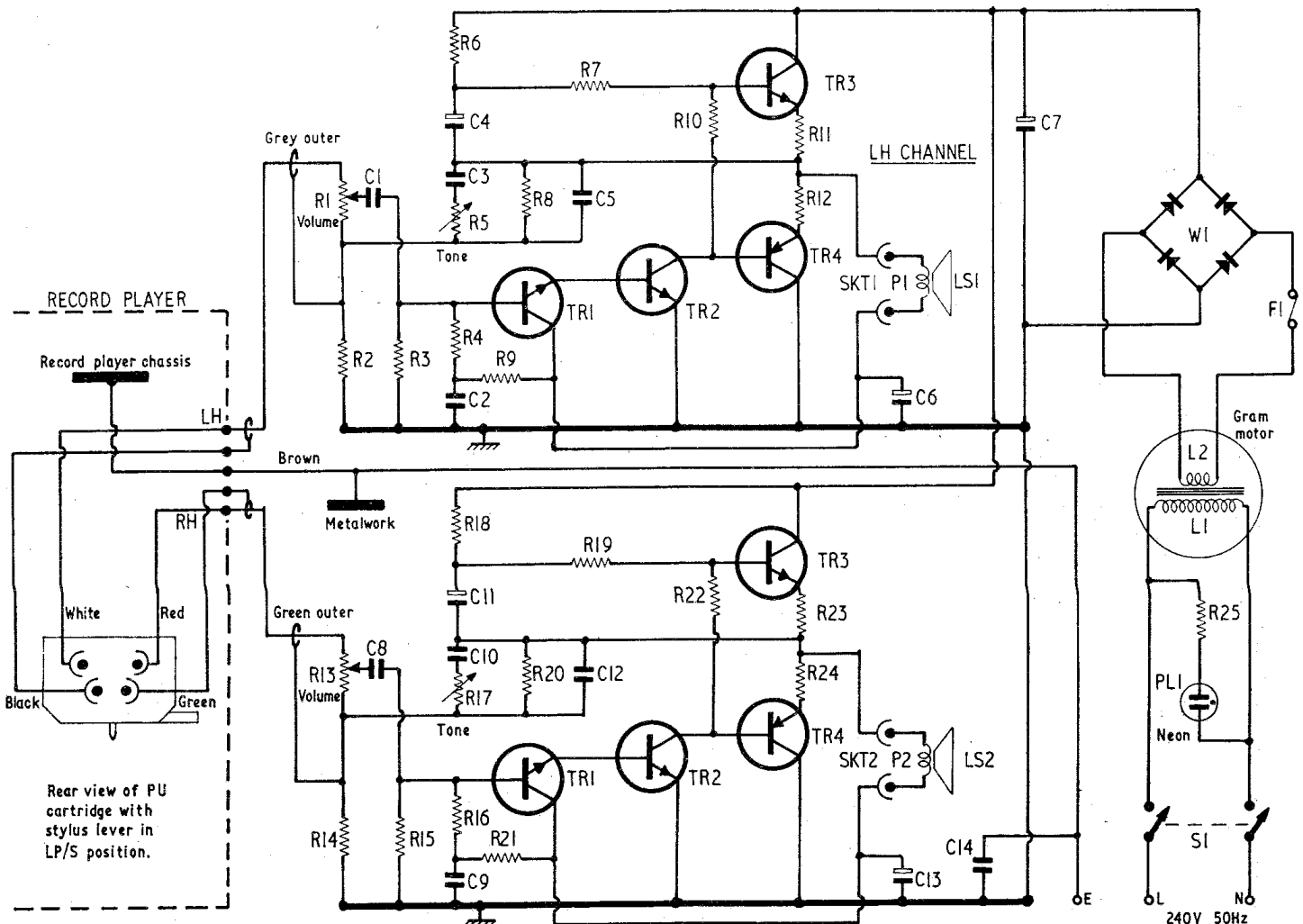
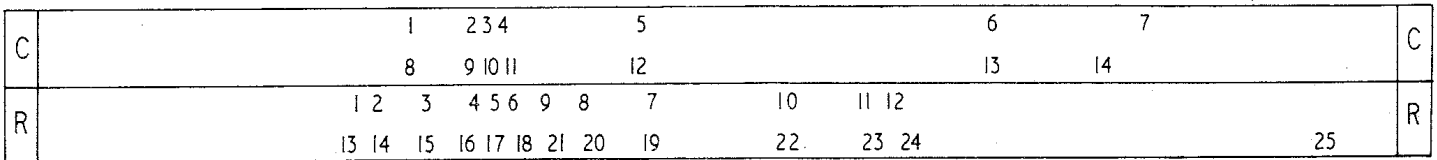


# Marconiphone 4033

# 3032

Stereophonic record player  
 (Also later version 4025)

Resistors			Capacitors			Miscellaneous											
R1	2M $\Omega$	C1	R9	330k $\Omega$	C1	R19	470 $\Omega$	B2	C2	0.1 $\mu$ F	C1	C12	680pF	B1	F1	500mA	C2
R2	1.5k $\Omega$	C1	R10	15 $\Omega$	C2	R20	15k $\Omega$	B1	C3	0.022 $\mu$ F	C1	C13	250 $\mu$ F	A2	PL1	anti-surge	B2
R3	120k $\Omega$	C1	R11	2.2 $\Omega$	C2	R21	330k $\Omega$	A1	C4	40 $\mu$ F	C2	C14	1,000pF	A1	W1	Neon	B2
R4	470k $\Omega$	C1	R12	2.2 $\Omega$	C2	R22	15 $\Omega$	B2	C5	680pF	C1	<b>Miscellaneous</b>					
R5	250k $\Omega$	B2	R13	2M $\Omega$	B1	R23	2.2 $\Omega$	B2	C6	250 $\mu$ F	C2	LS1	15 $\Omega$ †		Stylus	G1 B40	—
R6	150 $\Omega$	C2	R14	1.5k $\Omega$	B1	R24	2.2 $\Omega$	B2	C7	1,500 $\mu$ F	B2	LS2	15 $\Omega$ †		C1000	—	
R7	470 $\Omega$	C2	R15	120k $\Omega$	A1	R25	220k $\Omega$	A2	C8	0.1 $\mu$ F	A1	L1	Motor	—	ST8	—	
R8	15k $\Omega$	C1	R16	470k $\Omega$	A1	<b>Capacitors</b>			C9	0.1 $\mu$ F	A1	L2	Motor	—			
			R17	250k $\Omega$	A1	C1	0.1 $\mu$ F	C1	C10	0.022 $\mu$ F	B1						
			R18	150 $\Omega$	B2	C1	0.1 $\mu$ F	C1	C11	40 $\mu$ F	B2						



# 3032

## Marconiphone 4033

### Introduction

This *Service Sheet* covers the Marconiphone model 4033 and the chassis fitted in model 4025 from serial No 9001 onwards.

Both models are portable stereophonic record players for operation on 240V 50Hz power supplies.

Right- and left-hand channels employ identical amplifiers which have independent tone and volume controls.

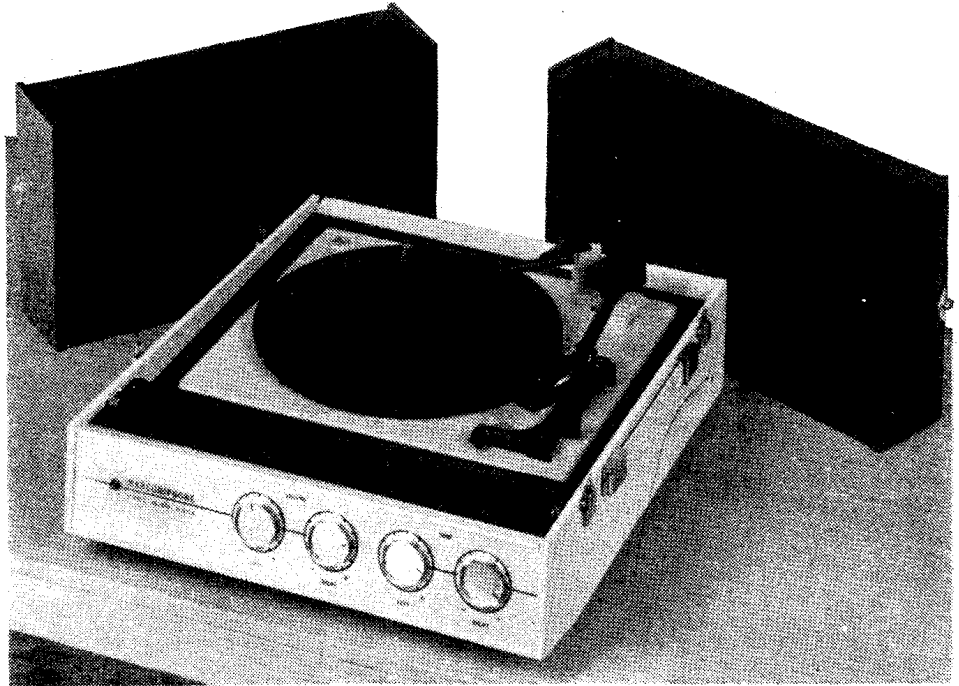
A power output of 3W (speech and music) per channel is handled with 7 x 4in 15Ω elliptical loudspeakers each contained in a detachable half-section lid enclosure.

The four speed autochanger is a BSR model C129 which is fitted with an SX5M cartridge.

### Dismantling

**Access for service.** – Lift off loudspeakers by unlatching clasps on side of case, then remove front cover (two screws). Unscrew and remove four screws – one from each side and two from rear of case. Lock autochanger with transit screws and ensure that pick-up arm is secured by its clip. Ease motor board forward to clear recess in back of case, then lift from left-hand side and place on its rear edge diagonally across bottom of case.

**Chassis removal.** – Pull off control knobs, then unscrew and remove two nuts and washers securing chassis to



Marconiphone 4033 is presented in green and grey or blue and grey case combinations. The two loudspeakers clip on top to form a carrying case.

case – take care not to mislay two spacing pillars.

The complete chassis can now be removed after releasing neon lamp from holder and unsoldering loudspeaker leads from tags on panel.

**Autochanger removal.** – Pull off pick-up leads from tag panel on motor chassis – note connections. Unsolder motor mains feed leads from tag panel on right-hand channel panel, also low tension leads from tag panel on left-hand channel panel.

Release mains lead from clamp on underside of autochanger, screw transit screws fully home then swivel spring clips into vertical position and prise off from transit screws. Separate changer and moulded motor board.

### Transistor analysis

Voltages given in the transistor table were obtained from data supplied by the manufacturers. They were measured under quiescent conditions with a 20,000Ω/V meter and are positive with respect to negative chassis line.

### Transistor table

Transistor	Emitter (V)	Base (V)	Collector (V)
TR1 L/R AF18	0.6	1.2	10.5
TR2 L/R AF6	0	0.6	10.4
TR3 L/R OP2B	10.4*	10.5	22.0
TR4 L/R OP2A	10.4*	10.4	0

\* Measured at junction R11/R12 or R23/R24.  
Total current: Quiescent 74mA; Maximum output 320mA.  
Transistor types are BRC.

