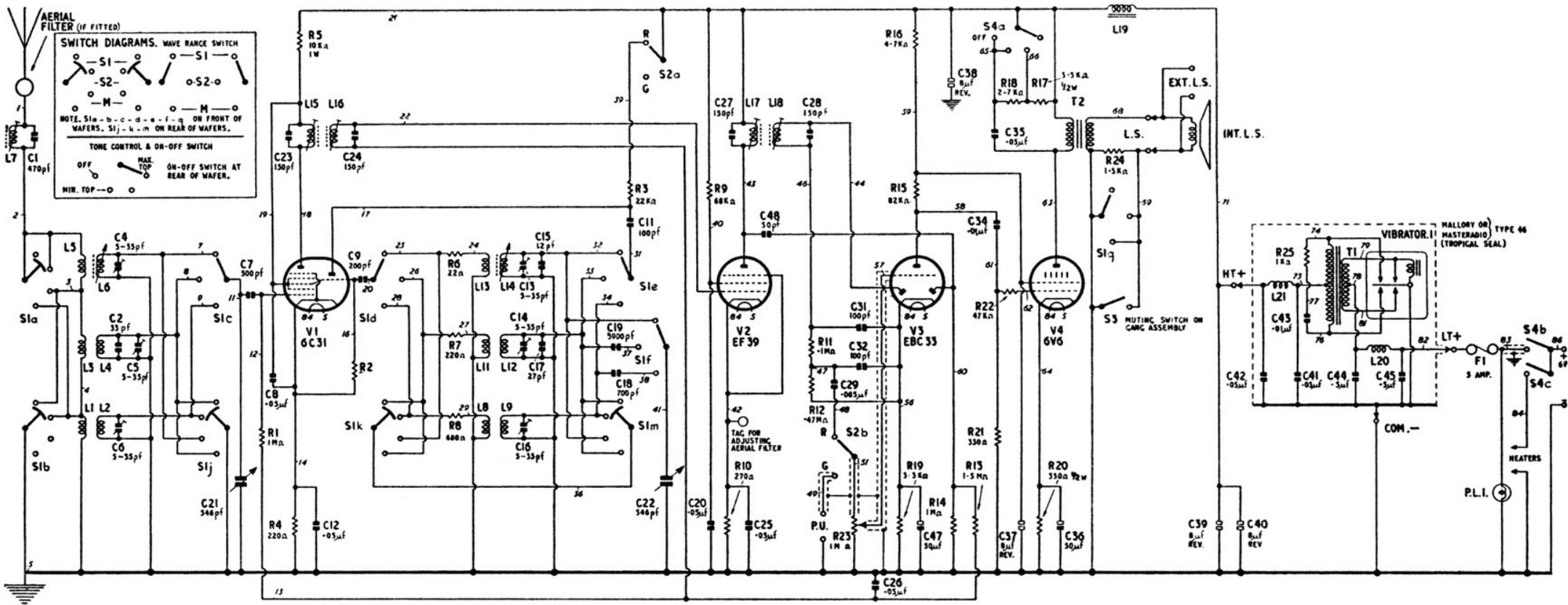


# TBI25 RECEIVER



NOTE: R2 is 15KΩ

## COIL RESISTANCES

These are average figures. The resistance of coils not shown is less than 1 ohm.

COIL	L2	L7	L9	L15	L17	L17	L18
OHMS	3	3	2	5.5	5.5	5.5	5.5

COIL	L19	L21	T1 Sec.	T2 Pri.	Vibrator
OHMS	120	9	134 + 122	300	35

## VOLTAGE MEASUREMENTS

Voltages measured on 500 ohm/volt meter ("M" wave-band no signal conditions).

ELECTRODE	V1	V2	V3	V4
CATHODE	2.9	1.8	2.2	8
ANODE	110	195	100	185
SCREEN	110	80		180
OSC. ANODE	90			