

# NATIONAL

# Model RF505

**General Description:** A pocket portable A.M./F.M. radio receiver with internal batteries and socket for earphone connection.

**Batteries:** 3 volts (2×penlight cells).

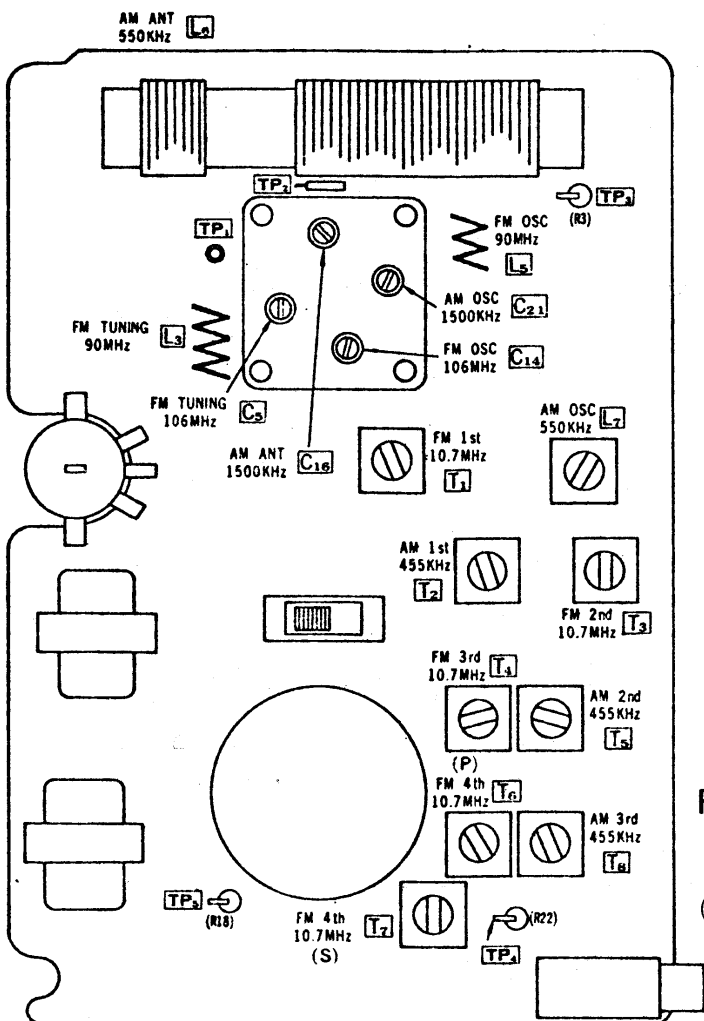
**Quiescent Current:** 14–28mA.

**Wave-bands:** M.W. 525–1605kHz; F.M. 88–108MHz.

**Loudspeaker:** 8 ohms impedance.

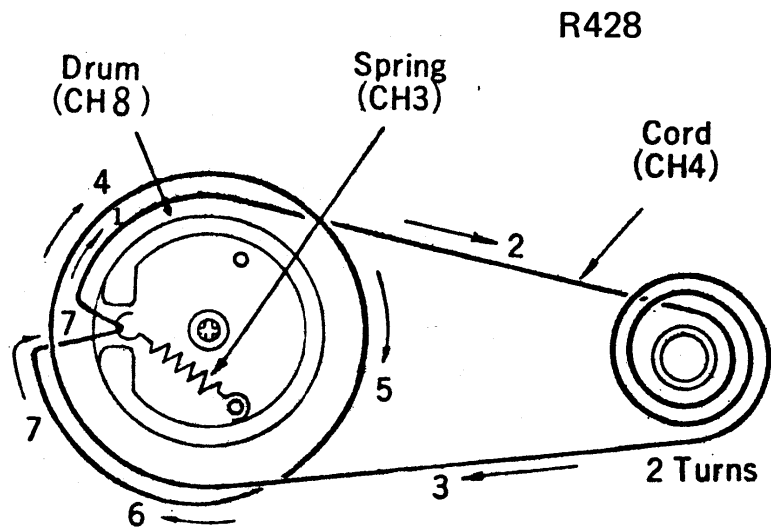
**Dismantling:** Remove three back screws to release the cover and pull out the socket from the printed circuit board.

**Drive Cord:** Follow the directions in numerical order as illustrated in Fig. 428 with the tuning drum fully clockwise.

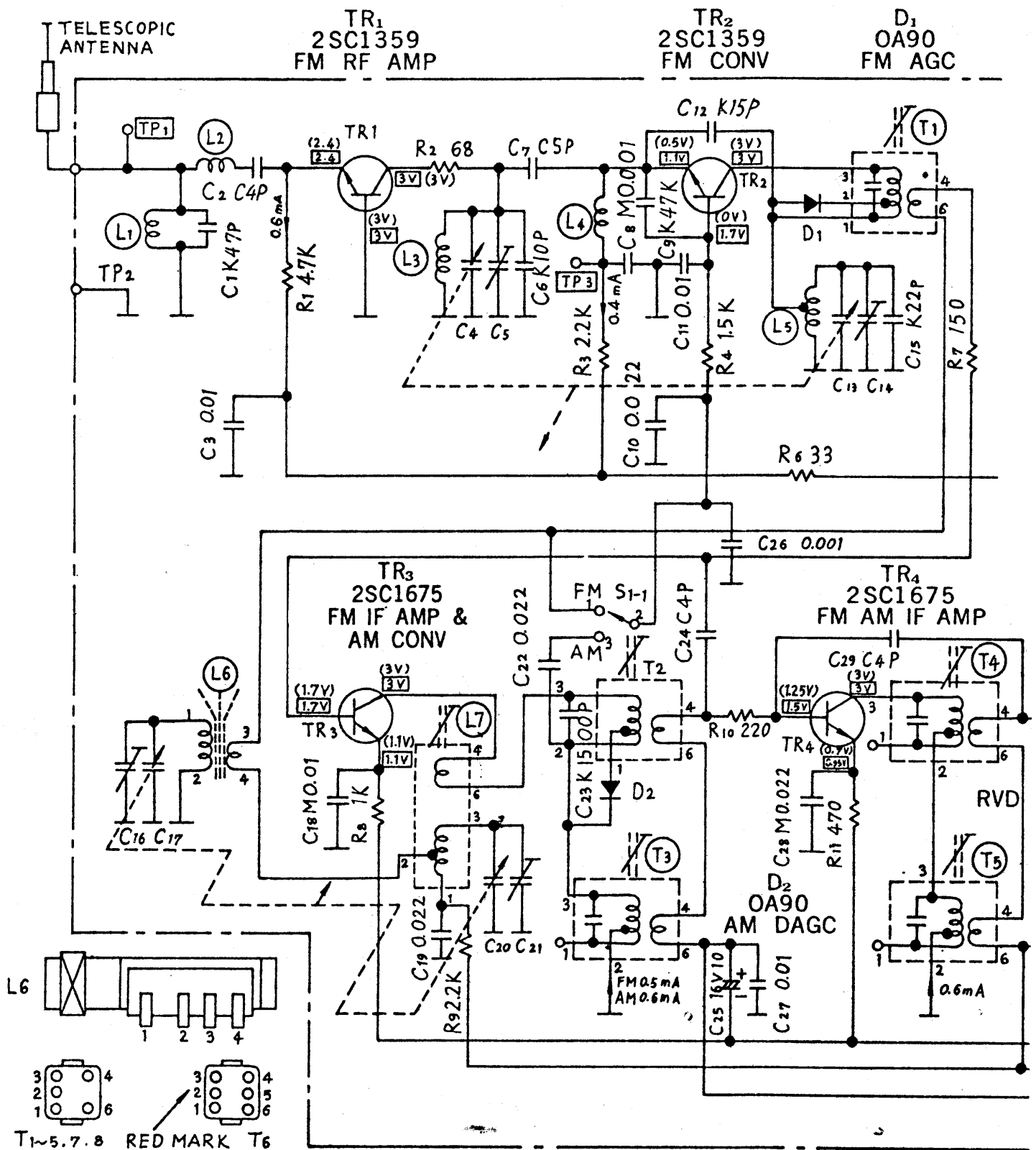


R429

(R429) ALIGNMENT ADJUSTMENTS—MODEL RF505

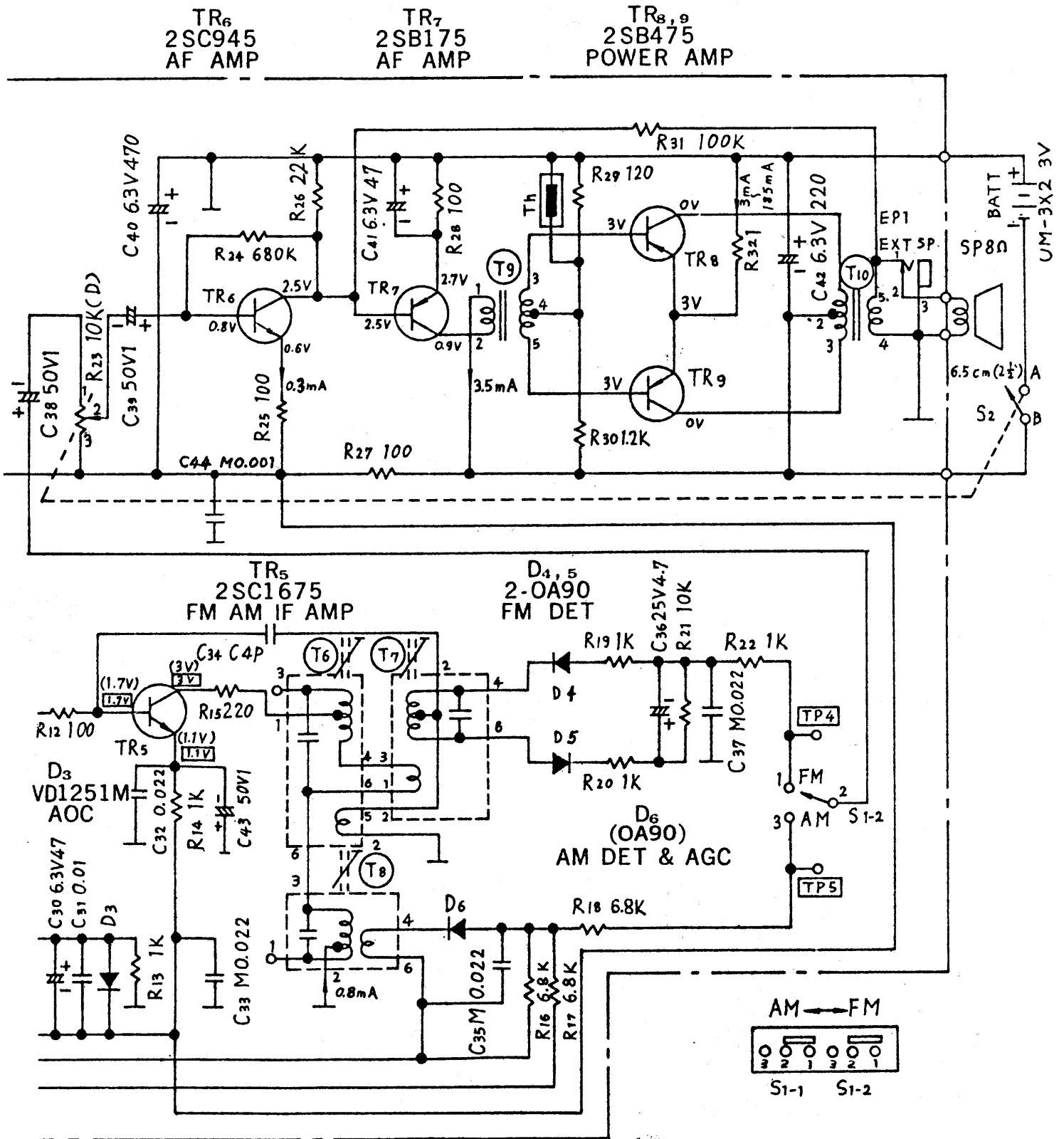


(R428) DRIVE CORD—MODEL RF505



(R430a) CIRCUIT DIAGRAM—MODEL RF505 (PART)

R430b



(R430b) CIRCUIT DIAGRAM—MODEL RF505 (CONTINUED)