

General Description: An independent stereo cassette tape player for incorporating in a car dashboard. The circuits for left and right channels are identical. The circuit for the left channel is given here; component numbering for the left channel are prefixed 200.

Battery: 12 V, negative earth only.

Loudspeakers: 4 Ω impedance each.

Servicing Notes: A short-circuit may occur because the tag of the bracket operating the on/off switch comes into contact with the metal of the switching spring. Bend the tag to an extent that it cannot slide under the insulation cap of the switch any more.

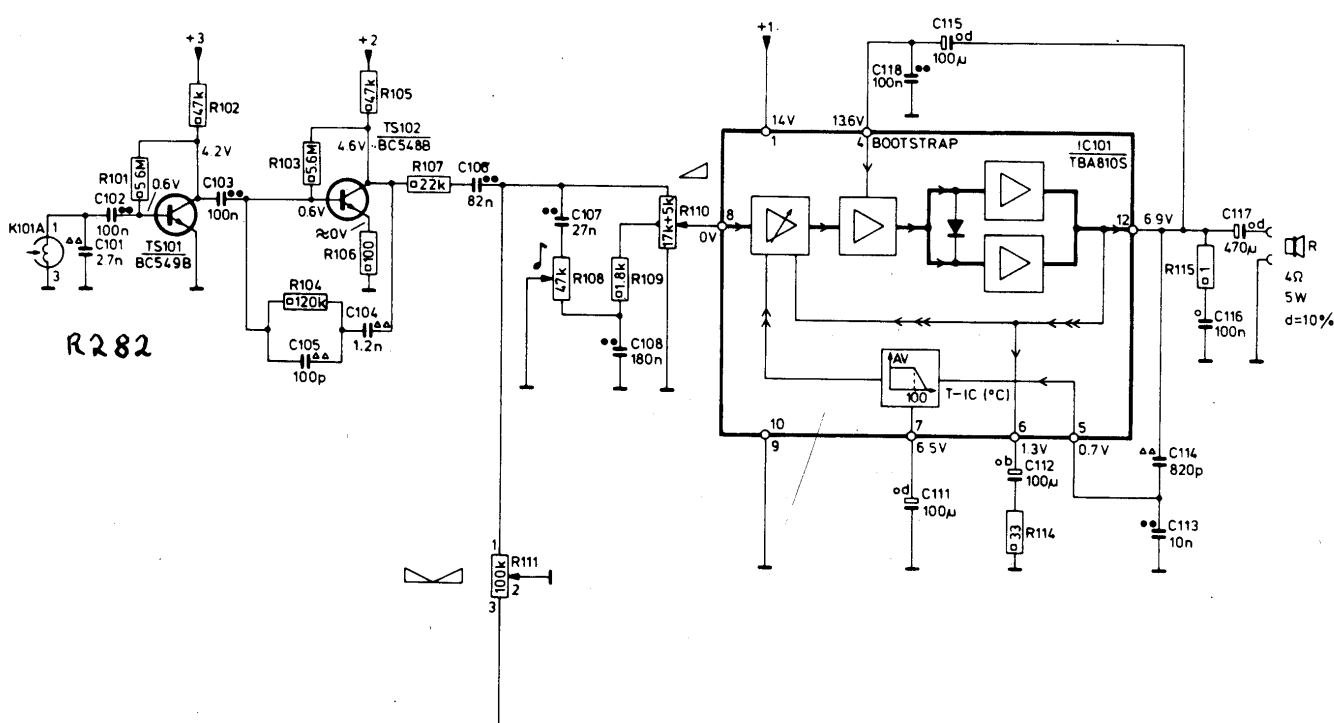
When remounting the tape-deck, take care not to damage the two switches on the main P.C. board. To operate the set after the tape-deck has been taken out:

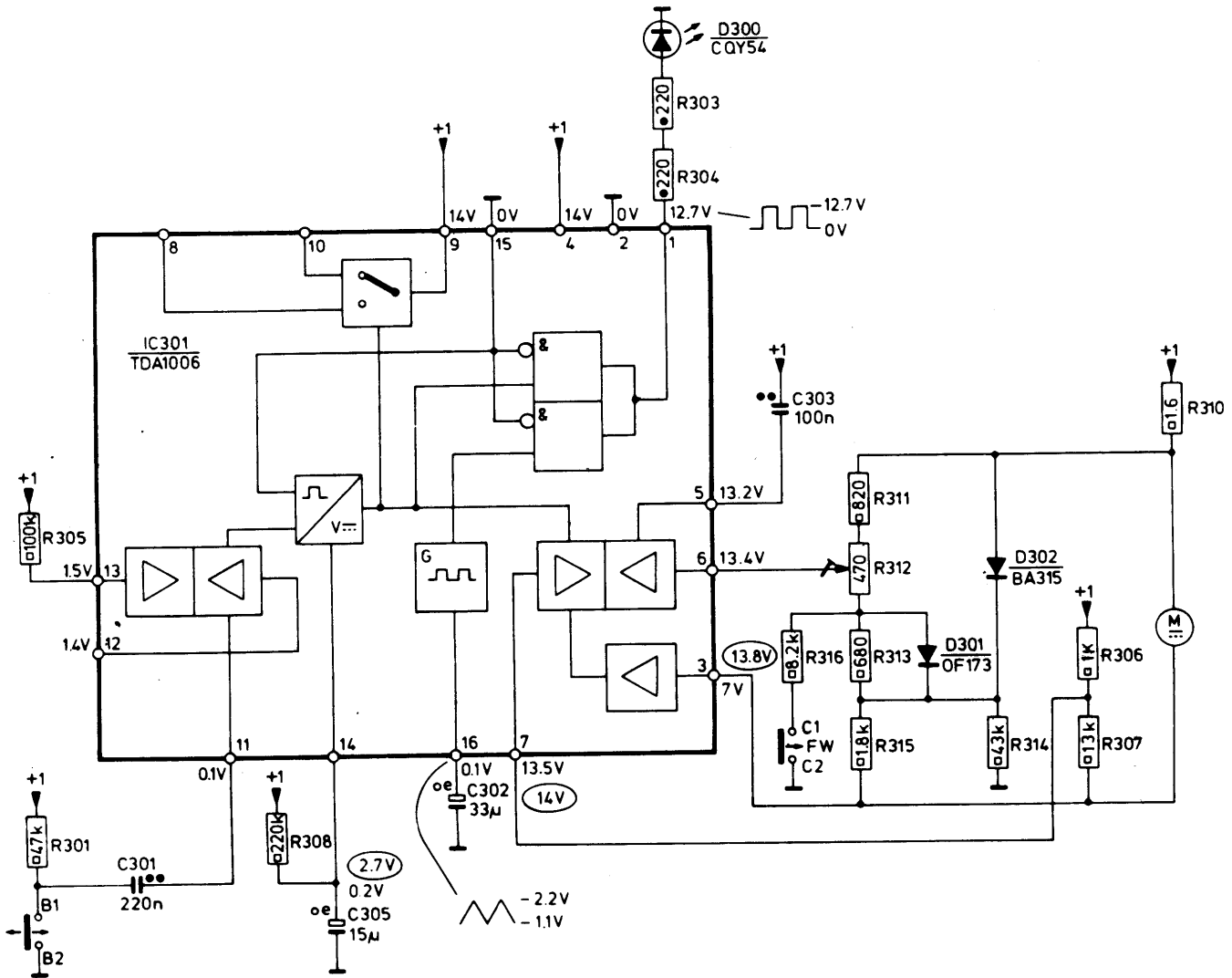
Bridge SK-A.

Make an extra mass connection from tape-deck to recorder.

If the motor should be exchanged, care should be taken that the spot where the connection wires come out of the motor is noted to eliminate the influence of the stray field of the motor when replaced.

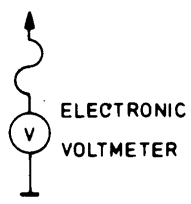
(R282) CIRCUIT DIAGRAM (LEFT CHANNEL)—MODEL 22AC060





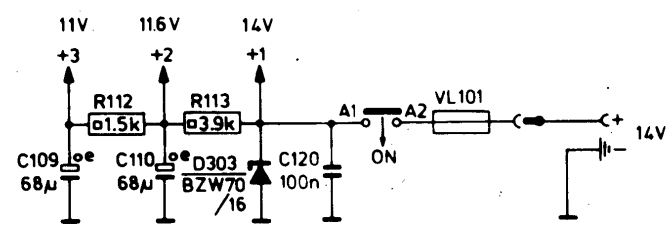
- CARBON RESISTOR E24 SERIES 0.125W $\leq 1M\Omega$ 5%
 $> 1M\Omega$ 10%
- CARBON RESISTOR E12 SERIES 0.25W $\leq 1M\Omega$ 5%
- PLATE CERAMIC CAPACITOR
- FLAT-FOIL POLYESTER CAPACITOR
- MINIATURE ELECTROLYTIC CAPACITOR

FW = FASTWIND
PB = PLAY BACK



--- PLAY BACK
(WITHOUT SIGNAL)
○--- TAPE END

• b = 4V
d = 10V
e = 16V
h = 63V
R 2 8 3



(R283) CIRCUIT DIAGRAM (MOTOR CONTROL)—MODEL 22AC060