

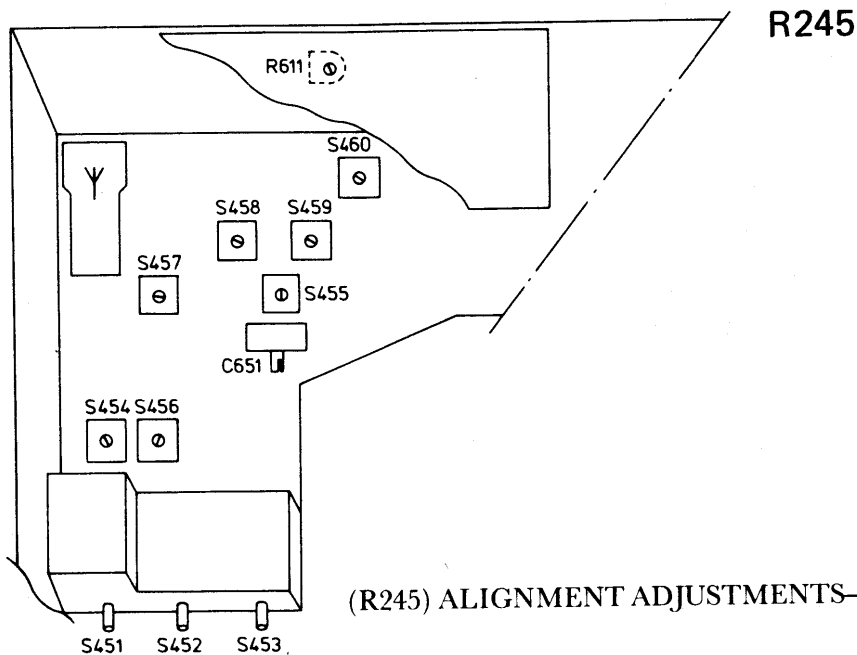
**General Description:** An A.M. car radio incorporating a stereo cassette tape player unit. A.F. power amplification is by integrated circuit and the left channel is shown here, the right-hand being generally similar. The tape motor functions are controlled by a second integrated circuit.

**Batteries:** 14 volts (—ve earth).

**Wave-bands:** M.W. 520–1605kHz; L.W. 150–264kHz.

**Loudspeaker:** 4 ohms impedance.

### Alignment (Fig. 245)



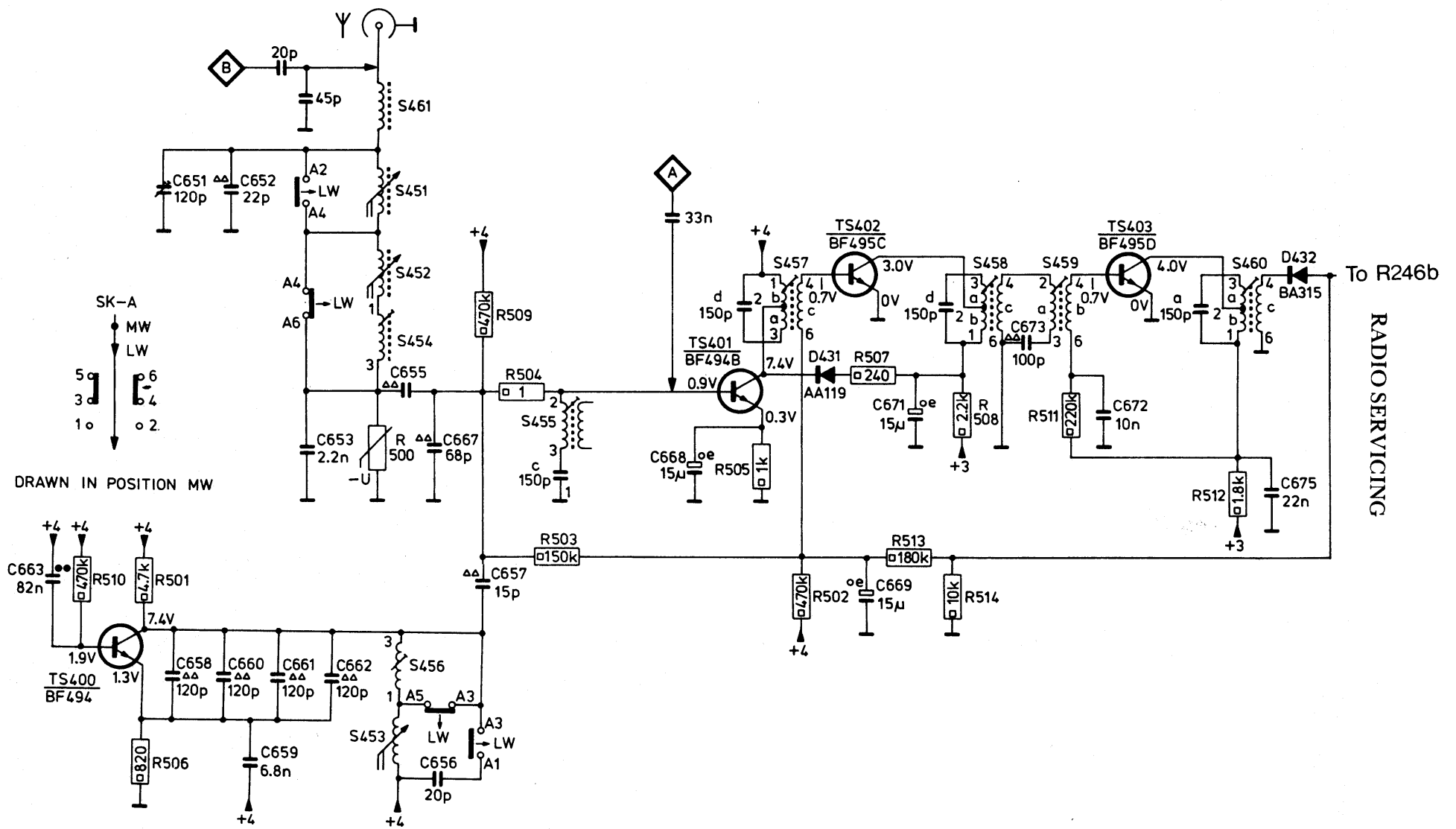
(R245) ALIGNMENT ADJUSTMENTS—MODEL 22AC260

SK...							
MW (518-1612 kHz)	468 kHz		Min. ind.			max.	
						S460 S459 S458 S457	min.
MW (518-1612 kHz)	516 kHz 600 kHz 1500 kHz		Max. ind.	C651: in mid position		max.	
							S453
							S451 C651
LW (149-262 kHz)	148 kHz 165 kHz 245 kHz					max.	
							S456
							S452 S454
S451,452,453 use item 220							

↑ Repeat

R246a

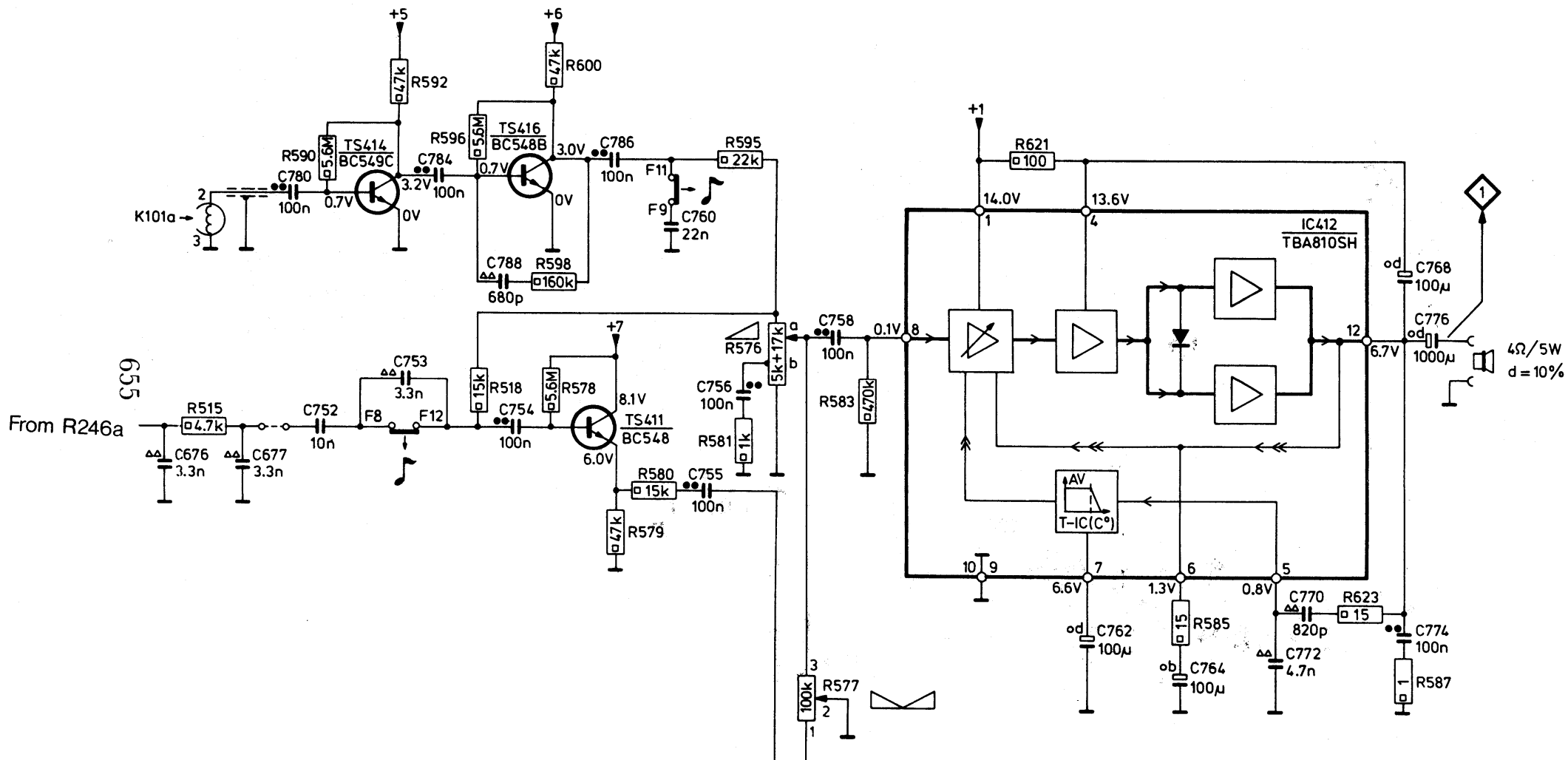
654



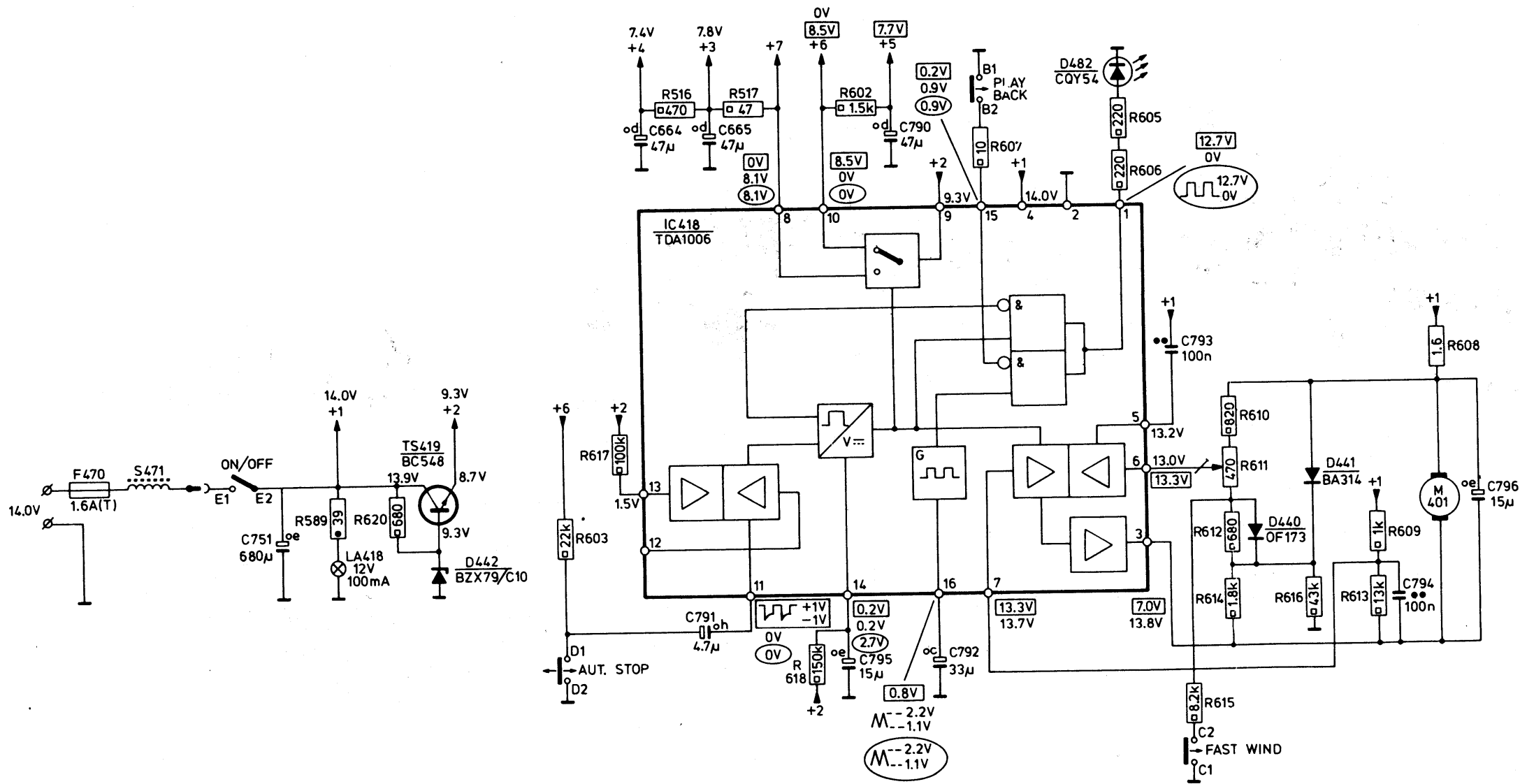
(R246a) CIRCUIT DIAGRAM—MODEL 22AC260 (PART)

To R246b  
RADIO SERVICING

R246b



(R246b) CIRCUIT DIAGRAM—MODEL 22AC260 (PART)



(R247) CIRCUIT DIAGRAM (MOTOR CONTROL)—MODEL 22AC260