

General Description: A 2-waveband A.M. car radio with stereo cassette tape-player unit. Integrated circuits are used throughout with the exception of the local oscillator and head pre-amplifiers.

Battery: 14.4 volts D.C. max. (negative chassis).

Wavebands: L.W. 150-254kHz; M.W. 520-1605kHz.

Loudspeaker: 4 ohms impedance.

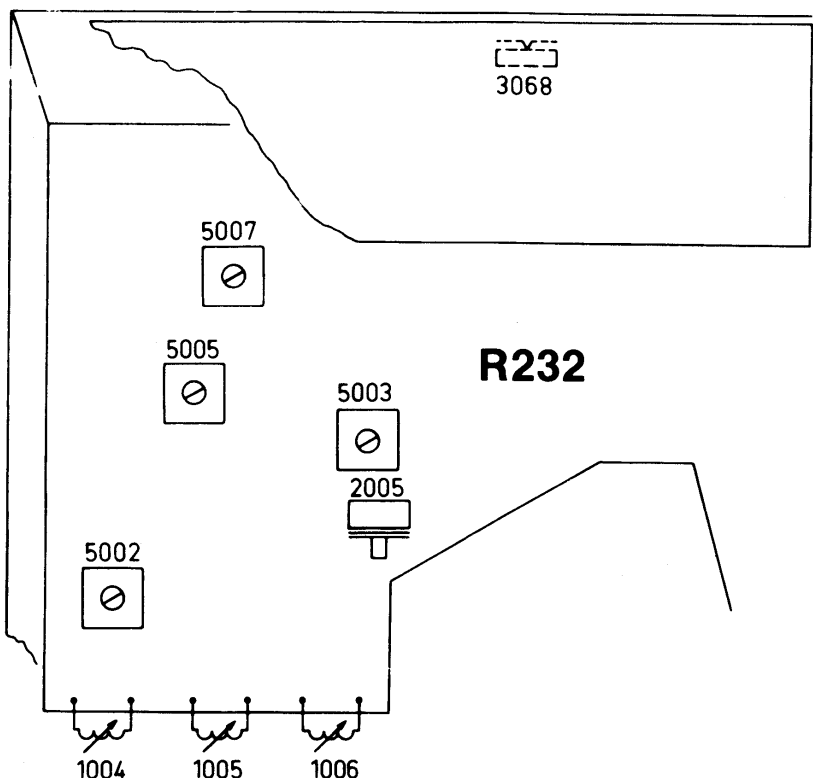
Note: During measurement and/or adjustments the tape deck should be connected and an extra wire should be used for connection to earth of the main set and tape-deck.

Alignment (See Fig. R231, R232).

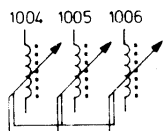
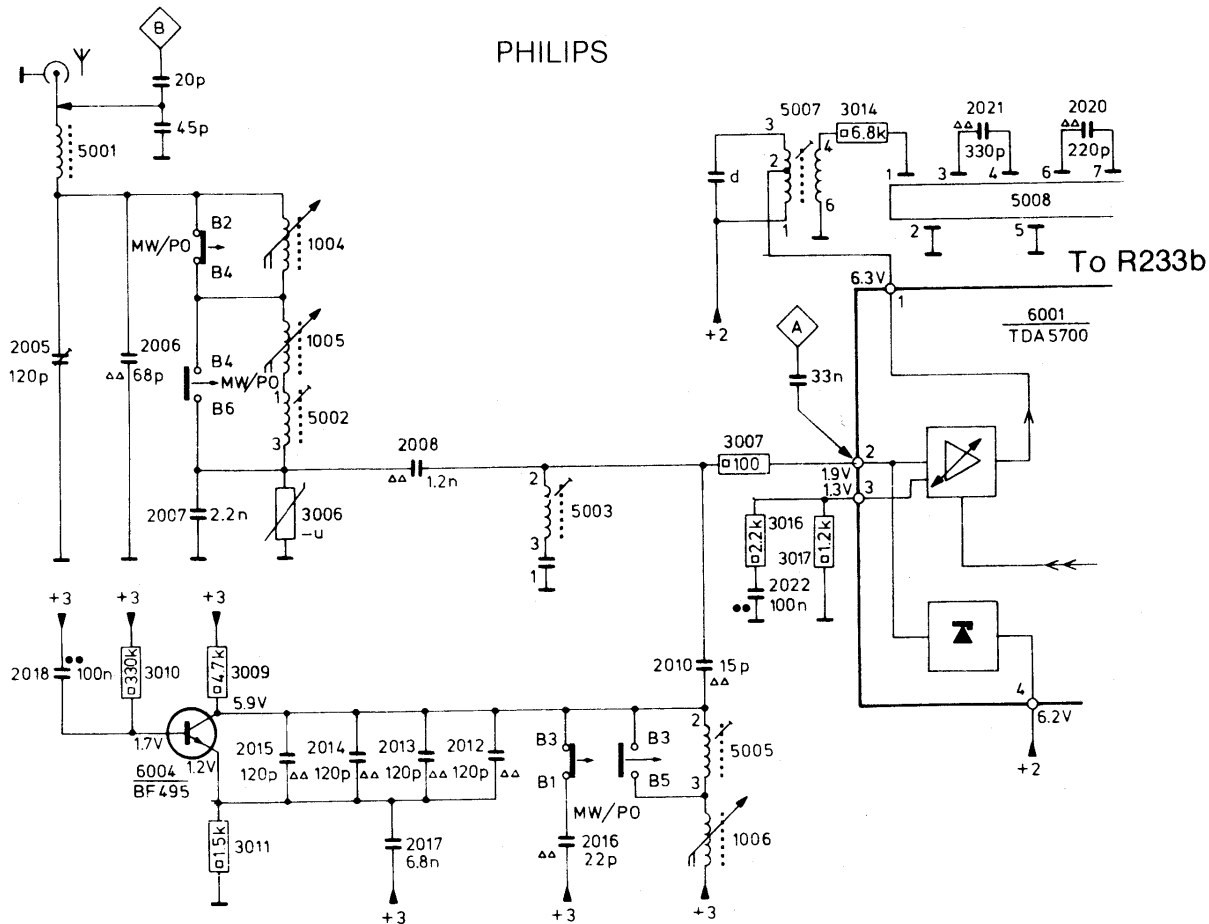
SK						
MW/PO	468 kHz		Min. ind.		5007	Max. ~
					5003	Min. ~
MW/PO	520 kHz		Max. ind.	2005	1006	Max. ~
	600 kHz				1004	
	1500 kHz				1005	
LW/GO	150 kHz		Max. ind.	R231	5005	Max. ~
	165 kHz				1005	
	245 kHz				5002	

(R231) ALIGNMENT PROCEDURE—
MODEL 22AC280

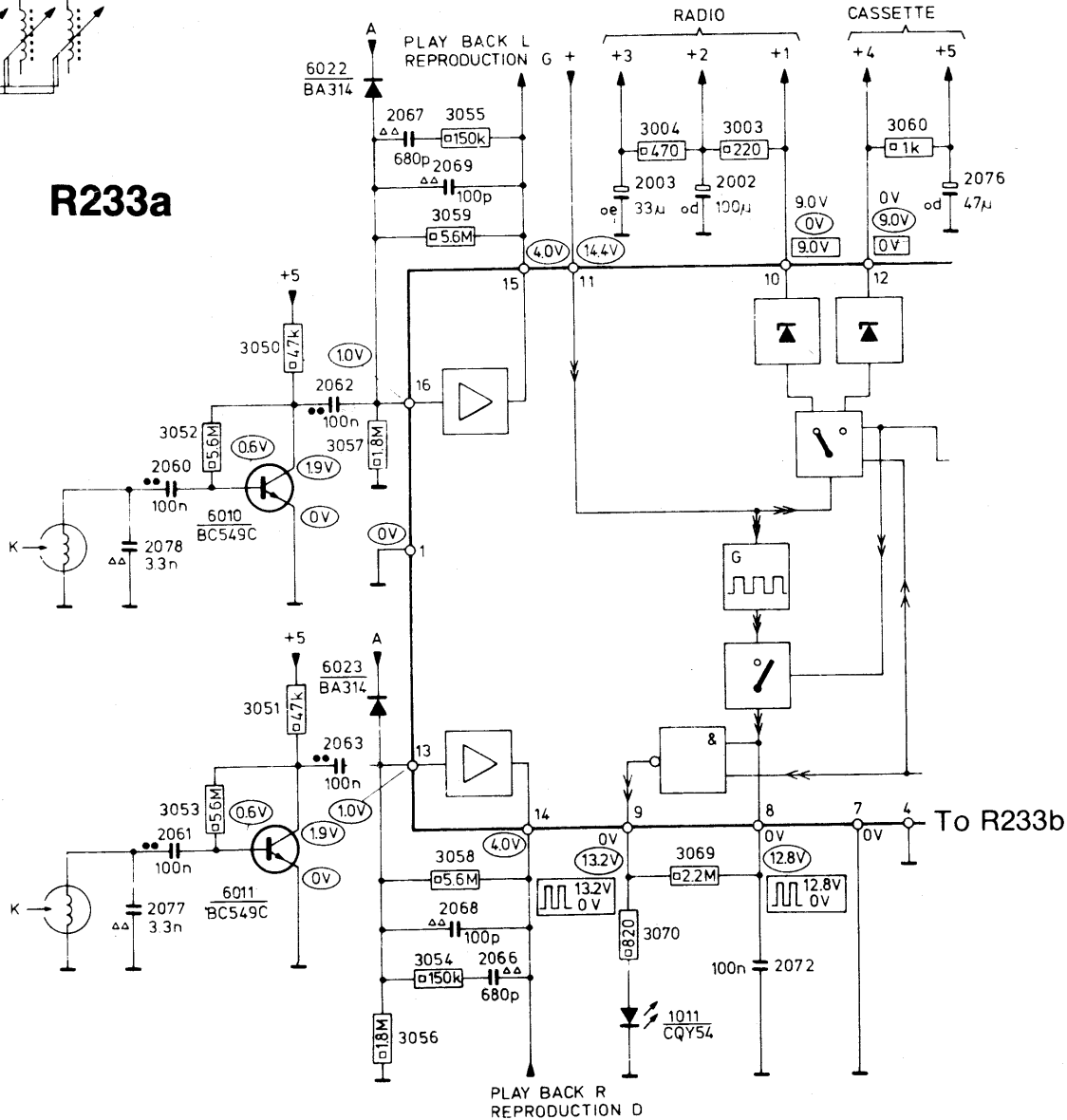
(R232) ALIGNMENT ADJUSTMENTS—
MODEL 22AC280



PHILIPS

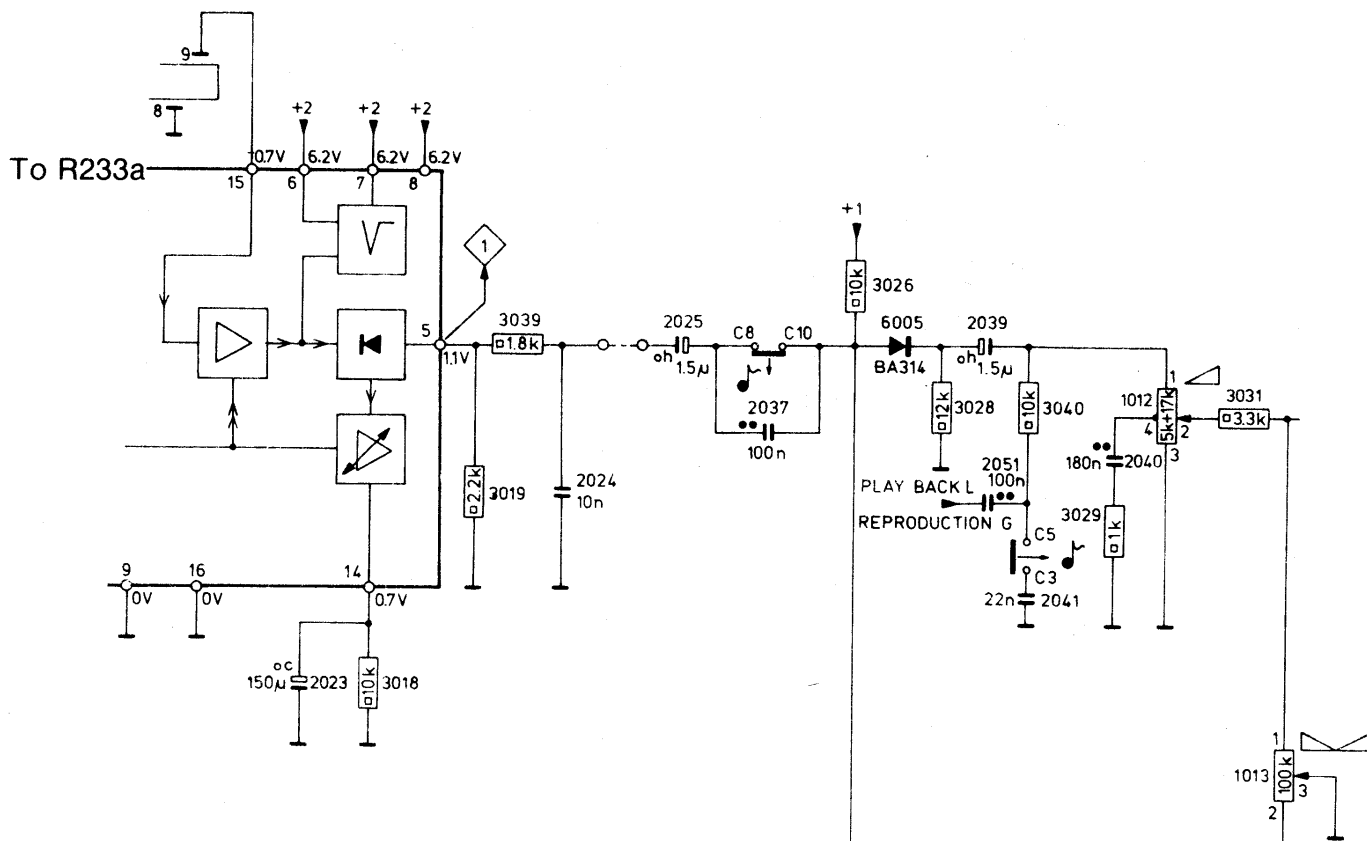


R233a



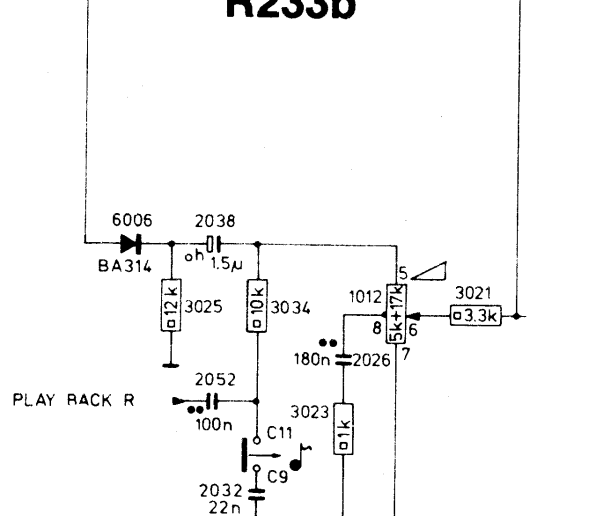
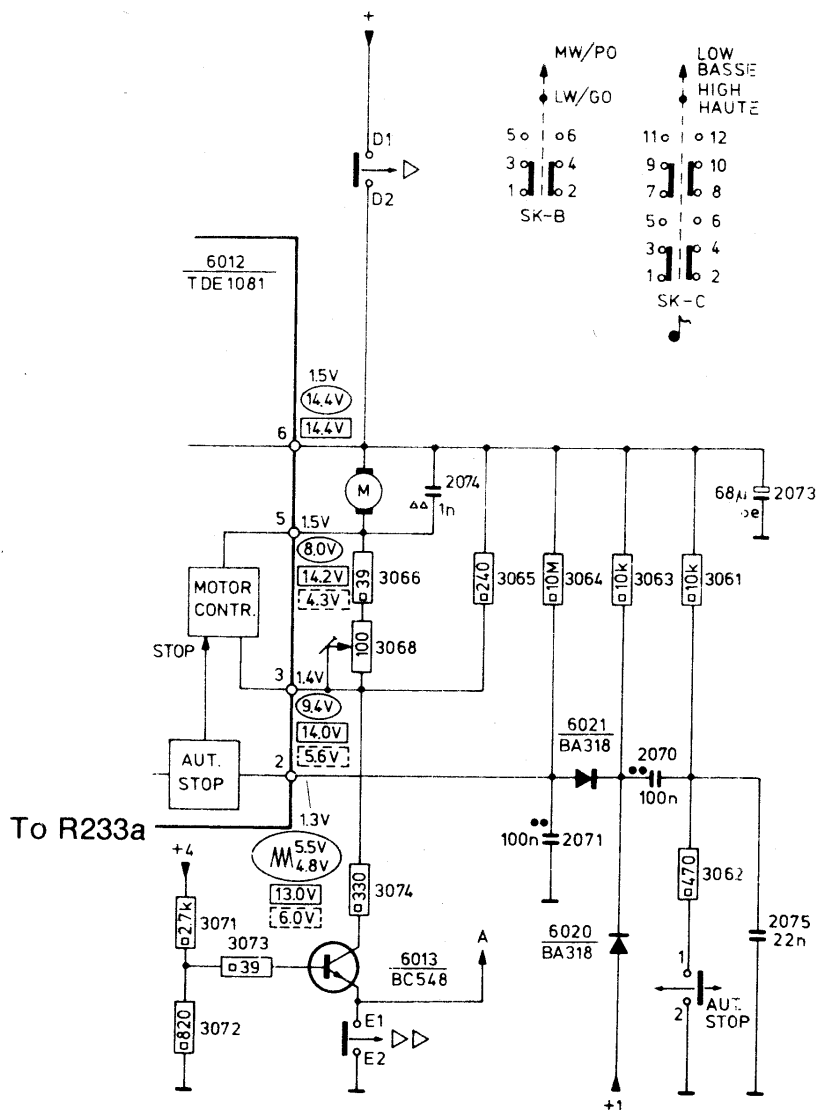
(R233a) CIRCUIT DIAGRAM—MODEL 22AC280 (PART)

RADIO SERVICING

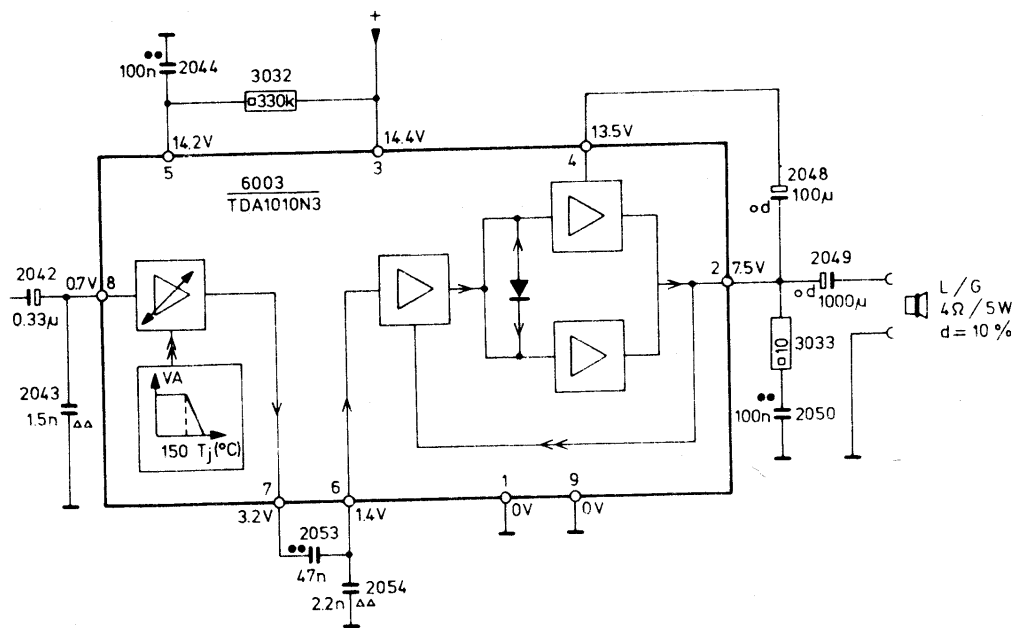


THE CIRCUIT HAS BEEN DRAWN IN POSITION LW

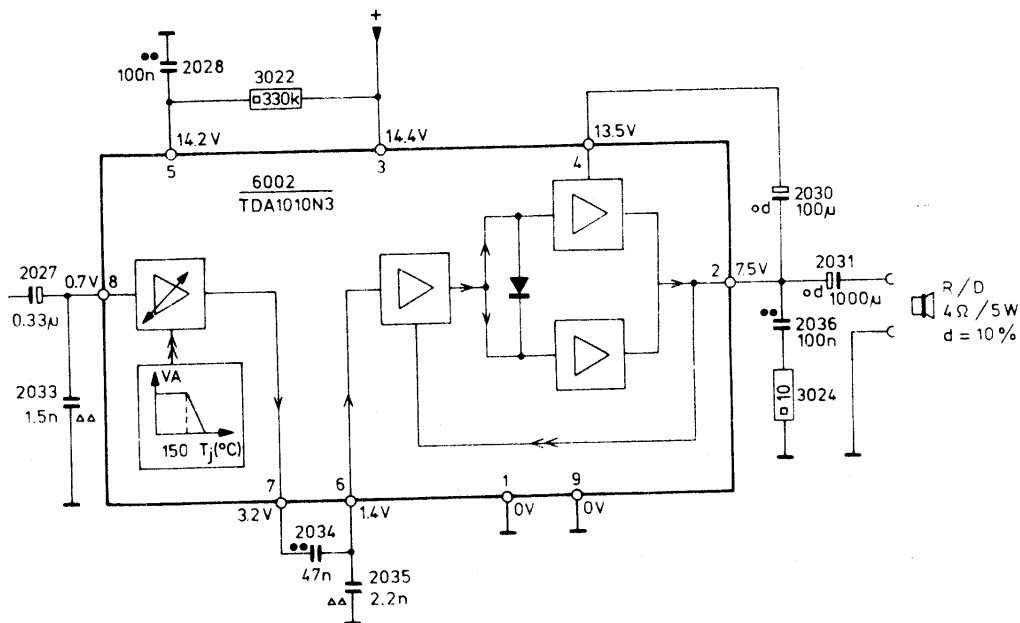
R233b



(R233b) CIRCUIT DIAGRAM—MODEL 22AC280 (PART)



R233c

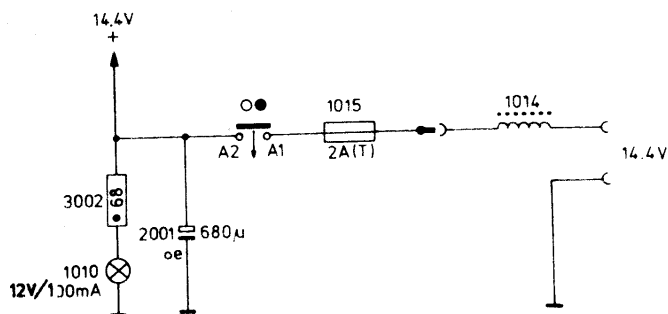


...V AM
 (V) PLAYBACK
 REPRODUCTION

(V) FAST WIND
 BOBINAGE RAPIDE

(V) TAPE END
 FIN DE BANDE

** b = 4V f = 25V
 c = 6.3V g = 40V
 d = 10V h = 63V
 e = 16V



(R233c) CIRCUIT DIAGRAM—MODEL 22AC280 (CONTINUED)