

# C·R·T·S

## SERVICE MANUAL

*COVERING*

*Regentone*

**“AUDITION”**

**RECORD PLAYER**

DIVISION OF **STC**

Issued DECEMBER 1963

COMBINED RADIO AND TELEVISION SERVICE LTD

REGENT WORKS, SIDCUP, KENT. Tel: FOOTscray 3333

SERVICING ORGANISATION FOR K.B. REGENTONE. R.G.D.

ALSO PROVINCIAL DEPOT AT  
87 McALPINE STREET,  
GLASGOW  
CENTral 1779

# Service Data

for

## “AUDITION”

### SPECIFICATION

The Audition is a two-valve transportable record player suitable for A.C. mains operation. A B.S.R. four speed record changer, type UA14 is fitted.

#### VOLTAGE RATING

200-250 volts, 50 c/s.

#### POWER CONSUMPTION

40 watts.

#### CONTROLS

Volume, Treble, Bass, Off/On.

#### VALVE COMPLEMENT

Mullard — UY85 Rectifier.

Mullard — UCL82 Audio Output.

#### DIMENSIONS

Width: 15½" (39.37 cms)

Height: 8½" (21.50 cms)

Depth: 18¼" (46.35 cms)

#### WEIGHT

20 lbs. (9.07 Kgs)

## **CIRCUIT DESCRIPTION**

The output from the pick-up is coupled, via the bass and treble network, to the volume control and then to the grid of the triode section of UCL82. The signal is then R-C coupled to the grid of the pentode output stage.

In parallel with the sound output primary L1 are the fixed tone control components C6 and R11.

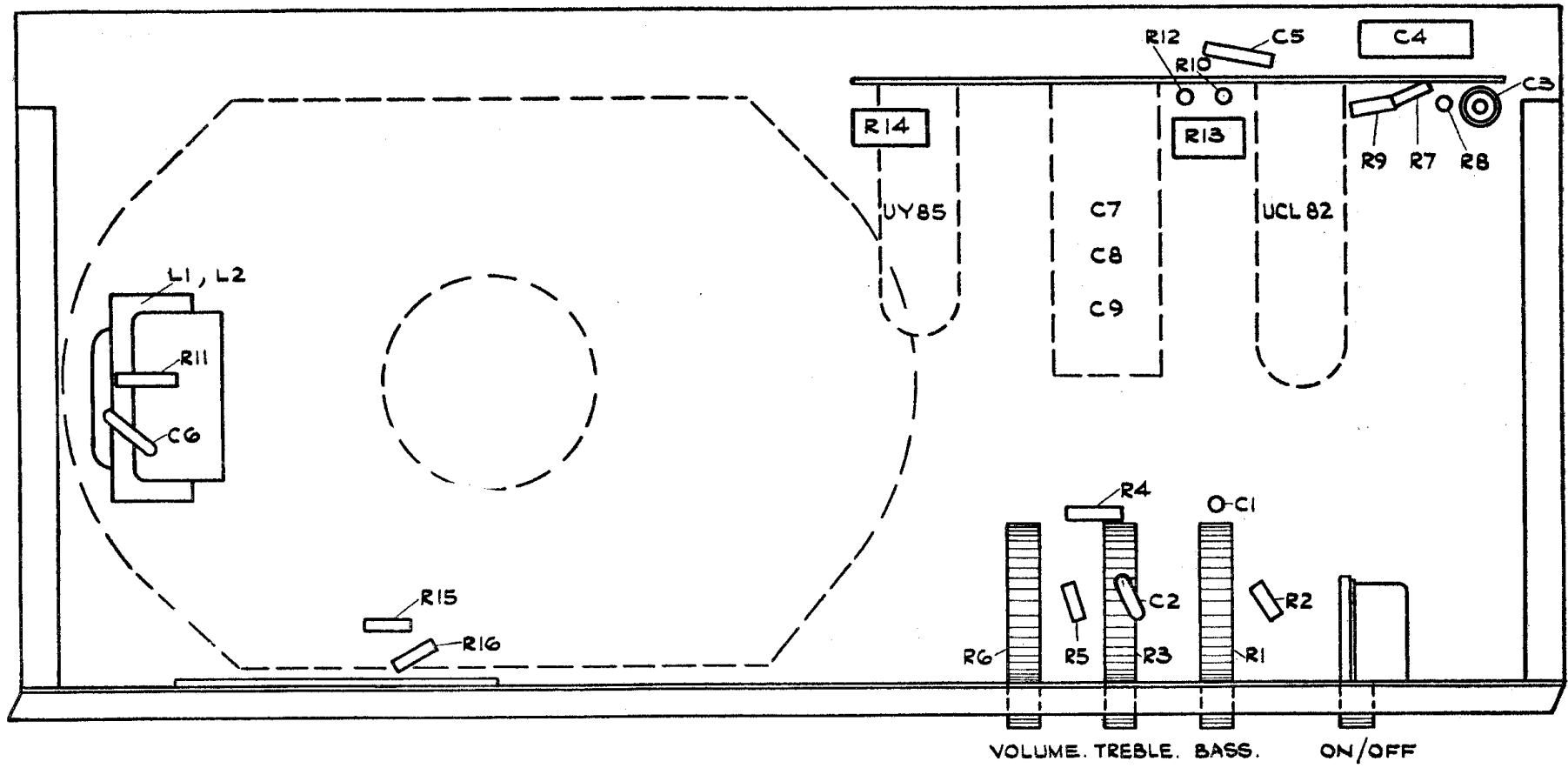
A tap is provided from the secondary of the transformer to provide heater voltage for the valves.

The H.T. supply is from a conventional half-wave rectifier with resistance-capacitance smoothing.

Sockets are provided for plug-in leads from a tape recorder or extension loudspeaker, microphone and guitar.

## **REMOVAL OF CHASSIS AND MOTOR BOARD FROM CABINET.**

1. Remove two screws, one from either side of the cabinet.
2. Remove the four screws holding the motor board in position.
3. Remove chassis from cabinet by lowering it forward.
4. Remove motor board by lifting at left-hand edge, and withdraw from cabinet.



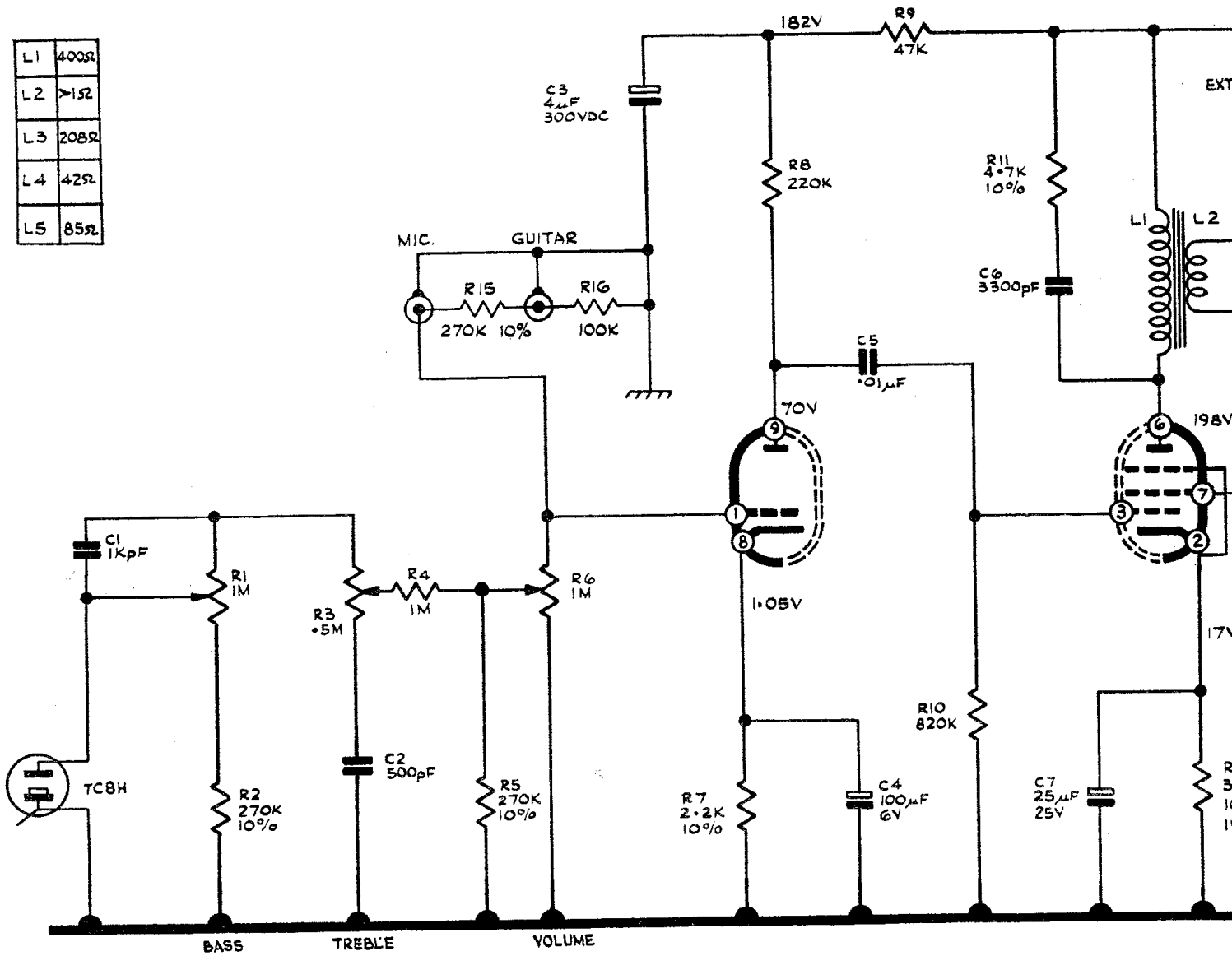
**CHASSIS VIEW**

## SPARE PARTS LIST AUDITION

COMPONENT	CIRCUIT REF.	PART NO.
Cabinet		825/220
<b>POTENTIOMETERS</b>		
1 M ohm (Volume)	R6	9/227
500 K ohm (Treble)	R3	9/228
1 M ohm (Bass)	R1	9/229
<b>RESISTORS</b>		
1 K ohm 5% 4W	R13	R102 EKL
180 ohm 5% 4W	R14	R181 EKL
On/Off Switch		13/287
<b>CAPACITORS</b>		
25 $\mu$ F 25v. Elect.	C7	KEM.57
32 $\mu$ F 300v. Elect.	C8	
32 $\mu$ F 300v.	C9	
100 $\mu$ F. 6v. Elect.	C4	KEM.22
4 $\mu$ F. 300v. Elect.	C3	KEM.176A
Transformer: Mains	L3, L4, L5	39/S1/34
Sound Output:	L1, L2	39/AO/33
Loudspeaker 8" x 5" Elliptical		11/135
B.S.R. UA.14 M Grey		37/26

UCL82

L1	400Ω
L2	>1Ω
L3	208Ω
L4	42Ω
L5	85Ω



BASS

TREBLE

VOLUME

EXT

198V

17V

R 3

10

15

15

15

15

15

15

15

15

15

15

15

15

15

15

15

15

15

15

15

15

15

15

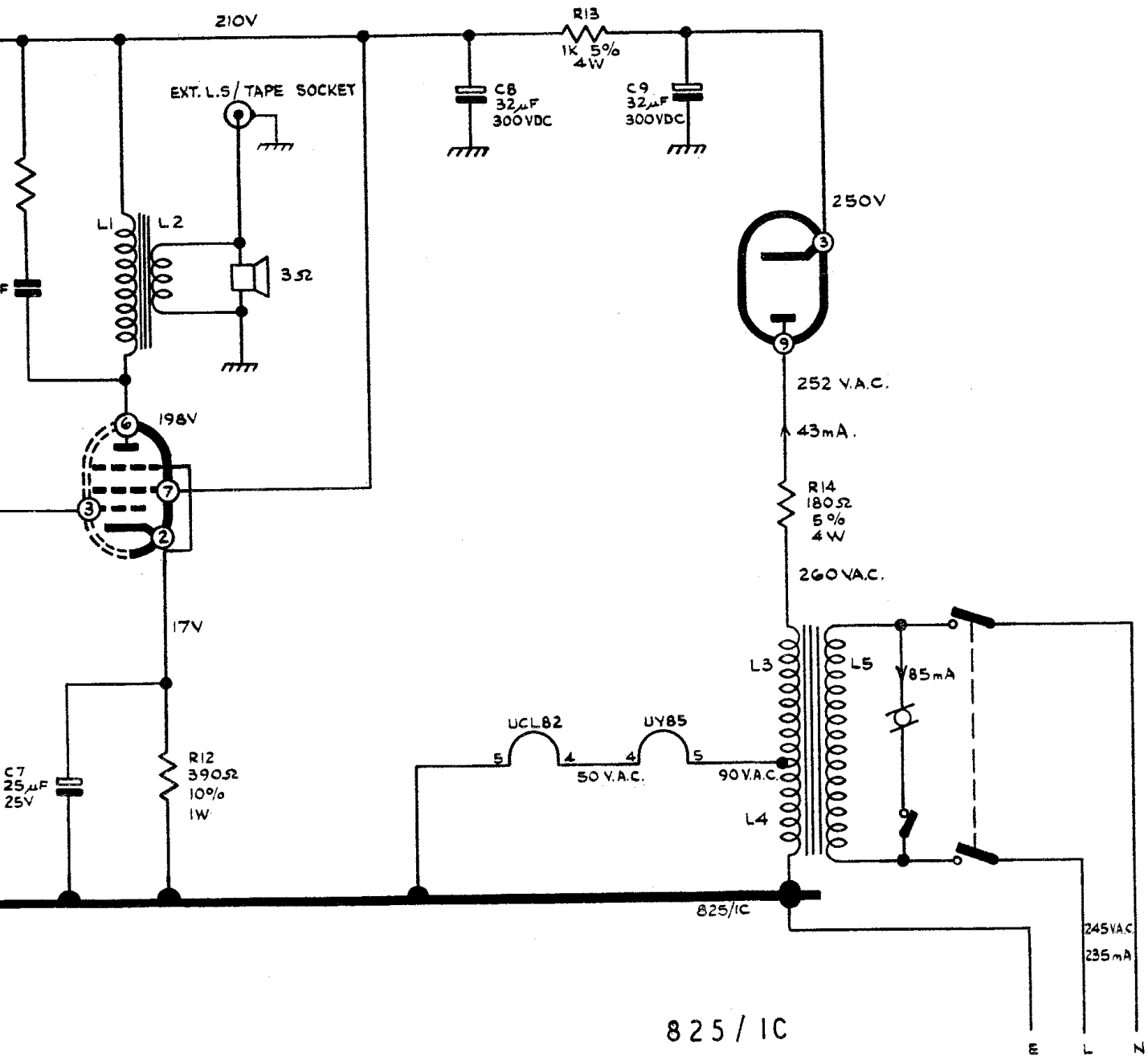
15

15

15

15

UY85



825 / IC