

BT 20
BT 21/1
BT 21/2

BT 20
BT 21/1
BT 21/2

CRTS

SERVICE MANUAL

COVERING
REGENTONE MODELS
B.T 20 B.T. 21/1 B.T. 21/2

A DIVISION OF **STC**

Issued OCTOBER 1963

COMBINED RADIO AND TELEVISION SERVICE LTD
REGENT WORKS, SIDCUP, KENT. Tel: FOOTscray 3333
SERVICING ORGANISATION FOR K.B. REGENTONE. R.G.D.

ALSO PROVINCIAL DEPOTS AT

41 BENT STREET,
CHEETHAM, MANCHESTER
Telephone: BLAckfriars 1751

87 McALPINE STREET,
GLASGOW
CENTral 1779

Service Data

COVERING

REGENTONE MODELS

B.T. 20

B.T. 21/1

B.T. 21/2

This manual should be read in conjunction with BT21 Regentone manual with the following exception in the parts list and the circuit diagram which varies slightly from the BT21.

BT21/1 (as BT21) except it uses : — Aerial Rod — 43/42. Aerial Coil Assy. 768/30.

L.W. osc. trimmer deleted and a fixed condenser (C8) substituted i.e. 310pF — KST 335.

BT20 (as BT21) except it uses : — Aerial Coil Assy. — 773/30. Tuning gang — 38/37. Osc. coil — 32/31.

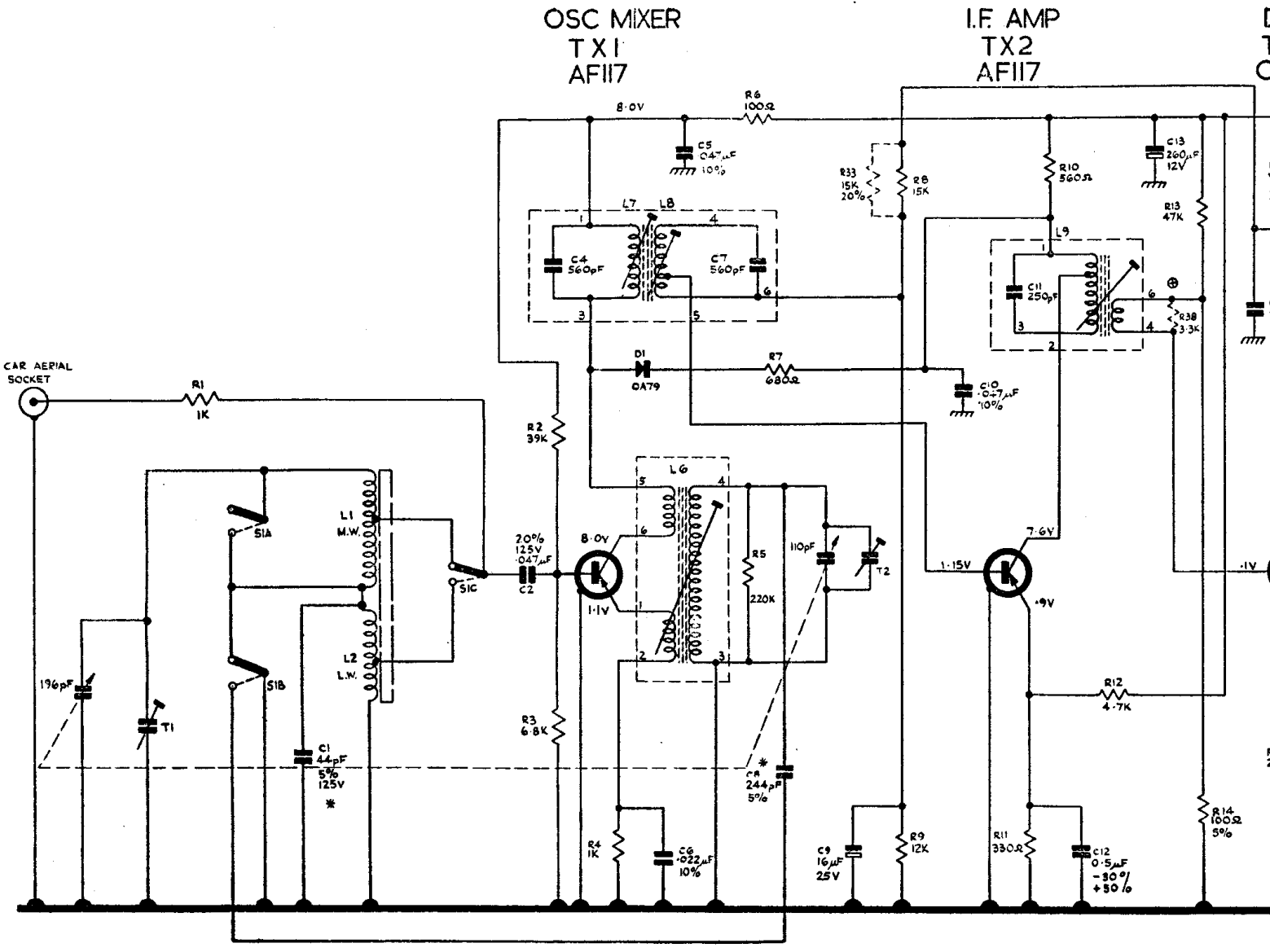
L.W. osc. trimmer deleted and a fixed condenser (C8) substituted i.e. 310pF — KST 335.

BT21/2 (as BT20) except for cabinet.

CABINET PARTS LIST

MODEL	COLOUR	CABINET	PART NO.
BT 20	Blue	Front	773/147
		Back	35/50/3
	Red	Front	773/147/1
		Back	35/50/4
BT 21/1	Charcoal	Front	757/148/2
		Back	757/150/2
	Red	Front	757/148
		Back	757/150
	Blue	Front	757/148
		Back	757/150/1
BT 21/2	Grey	Front	757/148/1
		Back	757/150/2

FOR ALL OTHER INFORMATION INCLUDING ALIGNMENT SEE BT21 MANUAL



SWITCH S1 SHOWN IN M.W. POS'N.

ALL RESISTORS 10% 1/4W UNLESS STATED

* FOR BT21/1 CHANGES AS BELOW

C1	120pF	5%	125V
C8	310pF	2 1/2%	125V

PART NUMBERS FOR OSC COIL, TUNING GANG AND AERIAL ASSY SUPPLIED IN MANUAL

⊕ R38 TX3

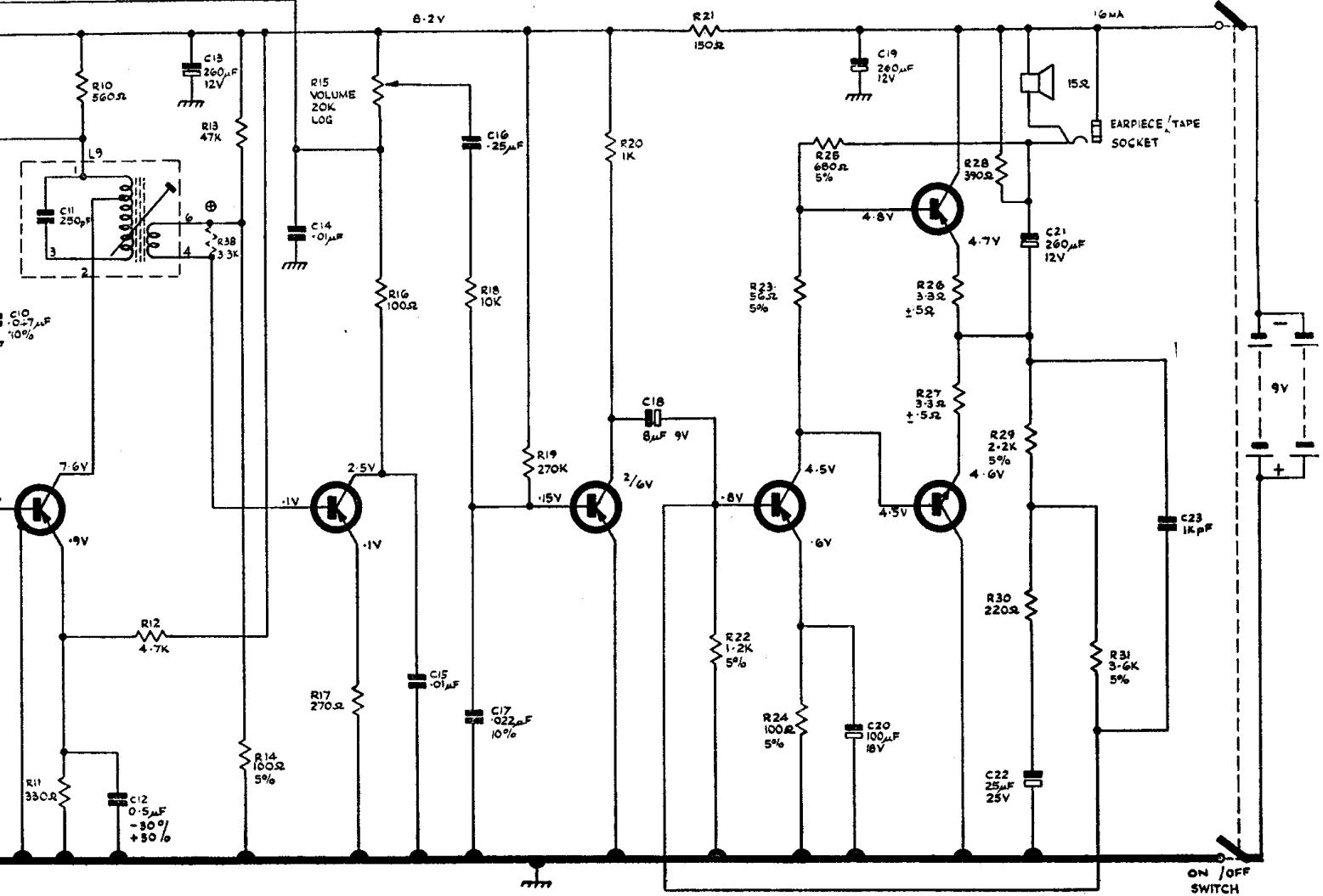
F. AMP
TX2
AF117

DET.
TX3
OC70

PRE-AMP
TX4
OC71

DRIVER
TX5
OC81D

OUTPUT
PAIR
TX6, OC81
&
TX7, AC127



TOLERANCES 10% 1/4 W UNLESS STATED

⊕ R31 REQUIRED ONLY WHEN
TX3 IS 2G371B