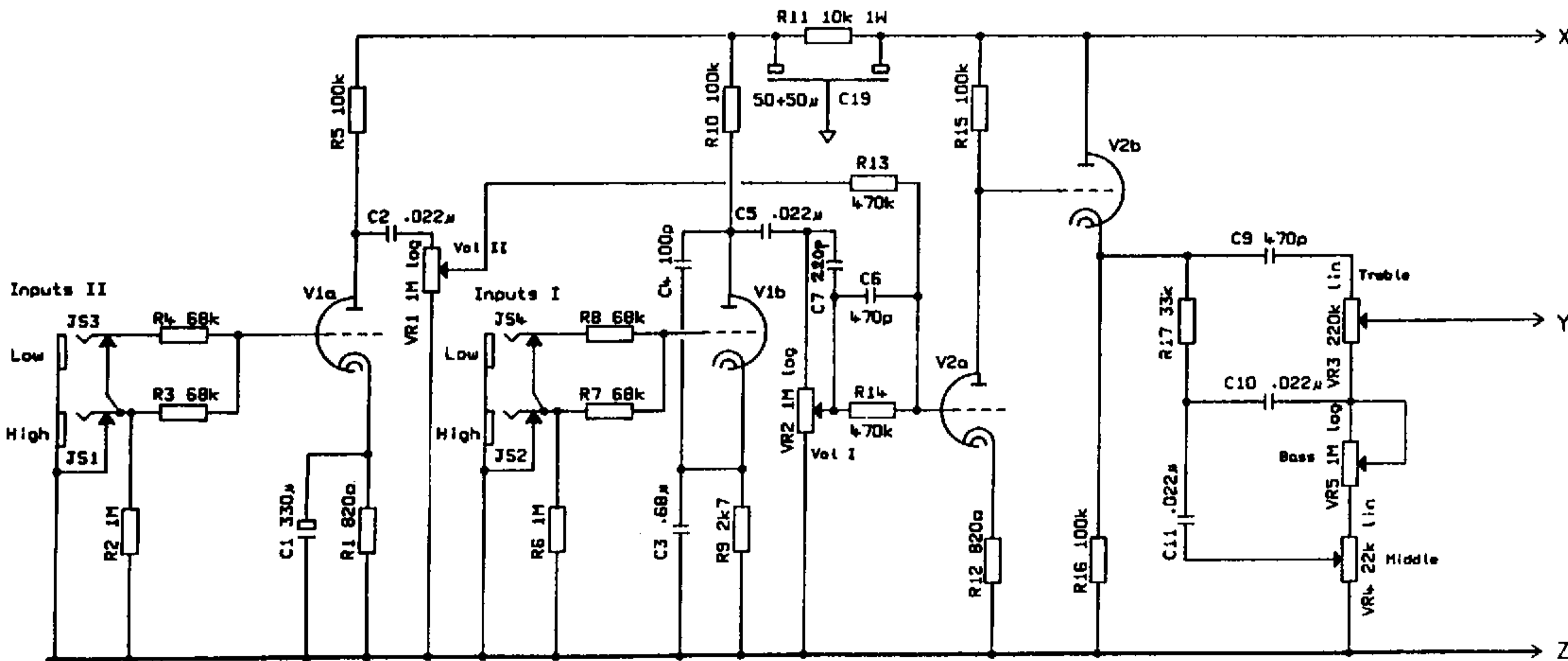


NOTES

PCB: JM80

V1.2: ECC83. filament supply shown on power stage diagram.

JS3.4 chassis mounted and linked to board



| | | |
|-----------|---------|------|
| | | |
| | | |
| | | |
| 4 | 1B-5-88 | CPV |
| ISS. DATE | | DRN. |

DRAWING NUMBER
1987 STD
 Preamp

MARSHALL

JIM MARSHALL
 PRODUCTS LTD.
 BLETCHLEY
 MILTON KEYNES
 ENGLAND
 File: 1987PRE.DGM

