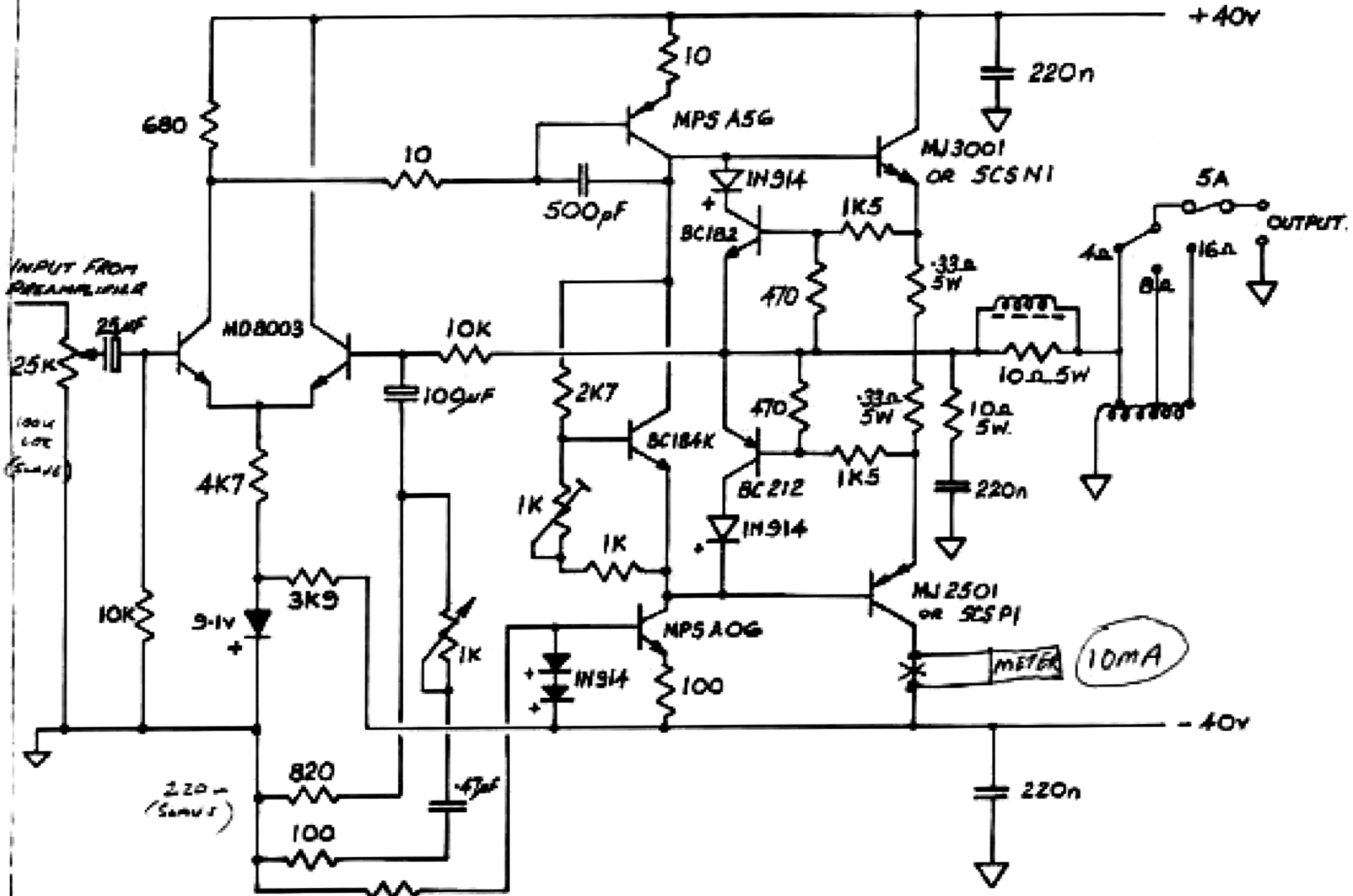


THIS PRINT IS THE PROPERTY OF JIM MARSHALL PRODUCTS. IT MUST NOT BE TRACED OR REPRODUCED IN ANY MANNER. NOR SHALL THIS PRINT OR THE DESIGN DETAILS HEREON BE SUBMITTED TO OUTSIDE PARTIES FOR QUOTING OR COPYING THE PRINT IS NOT TO BE USED FOR ANY PURPOSE OTHER THAN THAT FOR WHICH IT IS SPECIFICALLY ISSUED.



FOR POWER SUPPLY SEE DRAWING 2098/27K

MODEL 2200 Lead 100 Combo Has No G/P Transformer or Speaker

TITLE

POWER STAGE - 100W LEAD AMPLIFIER

ALL MARSHALL APPROVED THE QUALITY OF THE COMPONENTS AND THE WORKMANSHIP OF THE WORKMANSHIP CONTAINED ABOVE.

JIM MARSHALL (PRODUCTS) LTD

FIRST AVENUE
BLETCHLEY
MILTON KEYNES
BUCKS MK1-1DY

MATL. _____
DRN. S. MARSHALL
CND. MIK HILL
APPD. _____

FINISH _____
DRAWING NO. 2098/27K
SHT 2